



BOSCH

Invented for life



Built-in Appliances 2020

Who are Bosch?



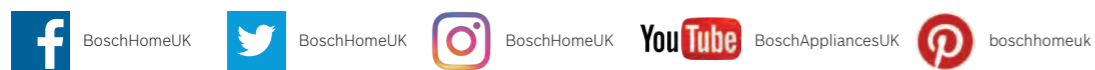
“I have always acted according to the principle that it is better to lose money than trust. The integrity of my promises, the belief in the value of my products and in my word of honour have always had a higher priority to me than a transitory profit.”

Robert Bosch, 1921

For over 125 years, the Bosch name has been synonymous with engineering excellence. Our home appliances are renowned for their quality, reliability and performance which derives from our inherent, unflagging commitment and the painstaking thoroughness with which every unit is made. As you would expect from Bosch, there are no gimmicks or frills with our products – just pure, clean lines and beautiful, functional simplicity that will enhance any kitchen.

The values that shaped Robert Bosch’s vision for his new company in 1886 are the same principles that guide the business today; never lose the trust of your customers, look after your staff and partners and change things for the better. It’s what has kept Bosch at the forefront of the home appliance industry and what will keep it there in the future.

Follow us to learn more on:



Contents

Customer service	2-3	Hobs	34-53	Laundry	75-79
Energy Label	4-5	Introducing the Bosch electric hob range	34-38	Introducing the Bosch laundry range	75-77
Home Connect	6-9	Venting hobs	39	Washing machines & washer dryers	78-79
Ovens	10-33	Induction hobs	40-44	Dishwashers	80-90
Introducing the Bosch oven range	10-18	Ceramic hobs	45	Introducing the Bosch dishwasher range	80-85
Single ovens	19-23	Introducing the Bosch gas hob range	46-48	60cm integrated dishwashers	86-89
Double ovens	24-25	Gas hobs	49-52	Slimline dishwashers	90
Built-under double ovens	26	Domino hobs	53	Refrigeration	91-109
Compact ovens	27-29	Hoods	54-74	Introducing the Bosch refrigeration range	91-96
Microwave ovens	30-31	Introducing the Bosch hood range	54-59	American fridge freezers	97-99
Warming drawers	32	Ceiling hoods	60-61	NoFrost bottom freezers	100-101
Smart coffee centre	33	Downdraft hood	62	LowFrost and static bottom freezers	102-105
		Island hoods	63	Fridges & freezers	106-109
		Angled & flat hoods	64-65	Product installation guide & accessories	110-131
		Glass chimney hoods	66-67		
		Box chimney hoods	68-69		
		Pyramid chimney hoods	70-71		
		Canopy hoods	72-73		
		Telescopic, integrated and built-under hoods	74		



Peace of Mind from Bosch



For help with your home appliance,
trust Bosch Home Appliances Service.

Arrange an engineer visit.

Our appliances are manufactured to the highest standards, but if you do need a visit from an engineer we are here to help. We have teams of locally based engineers around the country – employed and trained by Bosch*. This gives them unrivalled expertise and knowledge of our appliances. We repair appliances both in and out of guarantee. All repairs are analysed in advance by a technical team so that the parts likely to be needed to complete the repair are sent to the engineer's van the night before the visit.

To arrange an engineer visit to your home please call:

UK: 0344 892 8979
IE: 01450 2655

Calls are charged at the basic rate, please check with your telephone service provider for exact charges.

You can also arrange an engineer visit online or find out more about our repair service at: <https://www.bosch-home.co.uk/customer-service/repair-service>. Republic of Ireland customers should visit www.bosch-home.ie.

Product advice.

If you need help using programmes or features, or need assistance selecting a new Bosch appliance from our current range, our product advice team can help.

You can call us on

UK: 0344 892 8979
IE: 01450 2655

or visit: www.bosch-home.co.uk for frequently asked questions and helpful videos. Republic of Ireland customers should visit www.bosch-home.ie.

Visit the Bosch online store.

Find a comprehensive selection of accessories to help you get the most out of your appliance, along with our full range of replacement spare parts and cleaning and care products at the Bosch online store.

You can also purchase Tassimo hot drinks machines, vacuum cleaners, irons, steam stations, kettles, toasters and food preparation appliances directly from us online.

You can call us on

UK: 0344 892 8979
IE: 01450 2655

or visit: www.bosch-home.co.uk/store. Republic of Ireland customers should visit www.bosch-home.ie.

Register my appliance

We advise that you register your appliances so that we can contact you about any product updates. Visit www.registermyappliance.org.uk for more information.

You can also call Bosch directly to register your appliance on **0344 892 8979** (option 5). Please call us within 28 days of purchase to discuss the full range of options for extending your warranty.

High quality service.

Bosch appliances are renowned for their quality and we believe that our customers deserve exceptional customer service. You can contact us seven days a week for assistance.

Calls will be answered
Monday to Friday 8am to 8pm,
Saturday 9am to 5pm and
Sunday 9am to 4pm.

*In some areas we may use an approved service partner. The process may vary for repairs carried out by our service partners.

Accessories.

Many appliances can be enhanced with optional extras, such as telescopic rails for ovens or special cookware for hobs.

When buying a Bosch home appliance, you know you are purchasing a quality, reliable product. However many appliances are used daily, so need cleaning and maintaining to keep them looking great and operating at peak performance.

Our cleaning and care products have been thoroughly tested and approved for safe and effective use on your Bosch home appliance.

Replacement spare parts.

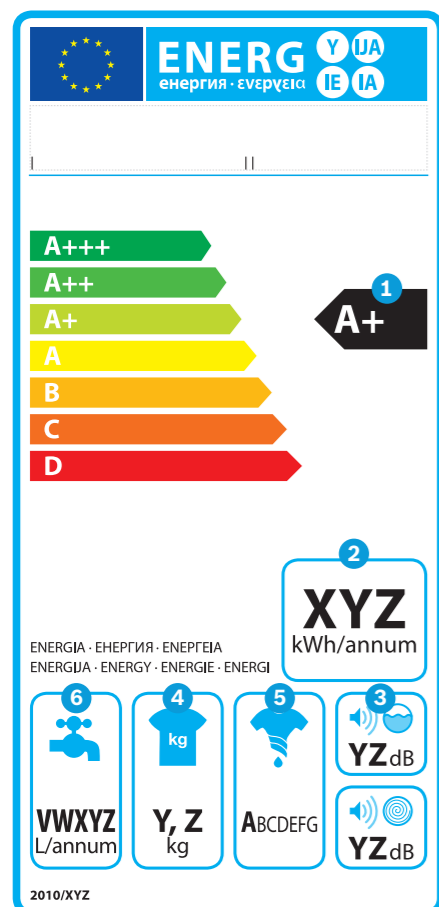
We keep in stock a comprehensive range of replacement spare parts for our appliances for up to ten years. All our parts are original spare parts, not copies.



The current Energy Label: Valid until February 28th, 2021.

By using energy-saving home appliances, you save valuable resources as well as money. That's why you should consider low energy and water consumption values when you purchase a home appliance. Since 1995, the European energy label has been providing standardised information on the energy and water consumption of home appliances.

The energy label, which has had the layout depicted below since 2012, specifies the efficiency class of the relevant appliance. It also uses language-neutral pictograms to provide additional information on the appliance, such as its noise value and capacity as well as energy and water consumption. For washing machines and dishwashers, the energy label currently identifies energy and water consumption as annual values. We'll explain the current energy label below using the example of washing machines.



Sample energy label for washing machines:

The energy label for washing machines specifies three additional efficiency classes above A: A+, A++, and A+++, where energy consumption for A++ is up to 24% lower and energy consumption for A+++ is up to 32% lower than that of appliances in class A. The annual energy and water consumption in this energy label refers to 220 standard washing cycles per year.

Key

- 1 Energy efficiency class
- 2 Energy consumption in kWh/year (220 standard wash cycles/year)
- 3 Noise emissions during wash and spin phases in the standard cotton 60°C programme with a full load, expressed in dB(A) re 1 PW
- 4 Spin efficiency class
- 5 Maximum load capacity
- 6 Water consumption in litres/year (220 standard wash cycles/year)

The new Energy Label: Valid from March 1st, 2021.

Technological development over the past few years has resulted in a higher concentration of products that carry labels with a value of A+ or better. Consequently, the label has not been fulfilling its original function as an aid for making purchasing decisions as well as it formerly did. Other basic conditions like user behaviour have also changed. That's why it's time to adapt the existing energy label. The first home appliances to have the new label will be washing machines, washer-dryers, dishwashers, cooling appliances and wine coolers. As of March 1st, 2021 these appliances must show the new label when sold in shops, online, etc. As the new label has to be added to these appliances before this date, we would like to provide you with some information on the future energy label.

The most significant change in the new energy labels is the elimination of the energy efficiency plus classes, for example A+++. In the future, classification will be from A to G. New methods will also be used for measuring energy consumption and determining the label class. According to EU specifications, they should, to the extent possible, take into account the real-life usage of the product and reflect the average consumer behaviour. This means, for example, that energy consumption for washing machines, washer-dryers and dishwashers will no longer be specified per year but per 100 operating cycles of the particular appliance. The duration of the label programme to be tested will also be specified for these products. In the case of washing machines and washer-dryers, there will even be a maximum programme duration that must not be exceeded.

The test programme for labelling washing machines and washer-dryers is also changing. The new 'Eco 40-60°C' programme will be displayed on the appliance panel. For dishwashers, the composition of the standard place setting will also be changed. For these and other reasons, it is not possible to directly convert the current efficiency classes to the new classes.

In addition, you will also be able to retrieve further product information directly via a QR code that is displayed on the energy label. The QR code forwards you to a database operated by the EU from 1.3.2021. This is where you can view and download data sheets for all appliances that require the new energy label. Access to the database is also possible via the Internet. For more information on the new energy label, visit: <https://www.bosch-home.co.uk/experience-bosch/energy-labels>

Home Connect

From controlling your Home Connect Serie 8 oven with your voice, to getting notifications when your laundry is ready, our more helpful smart appliances mean less things to think about and more time to spend on something else. Bosch Home Appliances with Home Connect ensure your home is ready for the future, today.

How you can use your Home Connect app.

Oven	Washer & dryer	Fridge freezers	Dishwasher	Fully automatic coffee machine	Hob & hoods	Services
Seasonal recipe specials	Easy start	Smart storage guide/object recognition	One step reordering*	Coffee playlist	Filter saturation & replacement	Tips & tricks
Grocery information	Additional stain programmes	Camera in the fridge	Machine care programme	Coffee world	Hob-hood control	User manual
Recipe filters	Adjust washing time - MyTime	Inventory manager	Tab counter	MyCoffee	Remote setting & monitoring	Accessories
Programme notifications	Smart Drying		Easy start			Online shop
Adjust oven settings on the go	Programme notifications					

*Set up of Amazon Dash Replenishment Service is required.

Why not try the app?

Experience it yourself: download the free Home Connect app and try Home Connect even if you don't have an appliance.



Home Connect is a service offered by Home Connect GmbH.
For more information on Home Connect please visit www.bosch-home.co.uk

WORKS WITH Home Connect in partnership with

Never run out of dishwasher tablets again.

The easy way into family cooking, creating time spent together as a family.

Removing appliances from your daily routines by making them do the work for you.

Monitor and receive notifications on all of your Home Connect appliances through your FitBit.

Home Connect amazon alexa

Voice control services based on Amazon Alexa will allow you to connect and control your appliances in your home simply by speaking to Alexa. Along with the ability to use Alexa with many other partners from Philips Hue and IFTTT, the possibilities are endless.



Once Home Connect devices are set up you can control your oven, dishwasher, coffee machine, washing machine and tumble dryer. All you'll need to do is simply ask: **"Alexa, start my oven"** or **"Alexa, start washing machine"**. Alexa will then continue to guide you through. Search for Home Connect in the Skills area of the Alexa app.

Perfect for those moments when you've got your hands full!

Google Assistant

With the Google Assistant, users can get the best of Google and connected home appliances with Home Connect. Just say "Hey Google" to get started.

Simply control your kitchen appliances with voice control, from your dishwasher and washing machine to your hood and oven.

You'll be able to turn the appliances on and off, but also query Google Assistant about when the appliance will be done and what programme is running.

Helpful Home Appliances.

The future has arrived and it's knocking on your front door. Home Connect brings smart technology to your appliances and lets you control them with your phone or tablet.

So, whether you want to turn the oven on to cook your dinner when you're on your way home, or check what's in your fridge while you're at the shops, you'll be in complete control.

Simple to set up, simple to use.

There's no need to worry if you're not a technical genius. We've made sure Home Connect is simple and straightforward to set up. If you do need a helping hand, you can call our Customer Service team on: 0344 892 8979 to speak to a dedicated Home Connect operator. You'll find the Home Connect app just as easy to use. There are lots of pre-set options to get you started quickly, and everything is set out logically and clearly.

Relax – we're invented for life.

Home Connect uses the same security protocol as online banking so you can enjoy extra peace of mind when you're using your Bosch appliances. Our app has TÜV Trusted App certification, and all of our Home Connect appliances are Wi-Fi certified by the Wi-Fi Alliance.

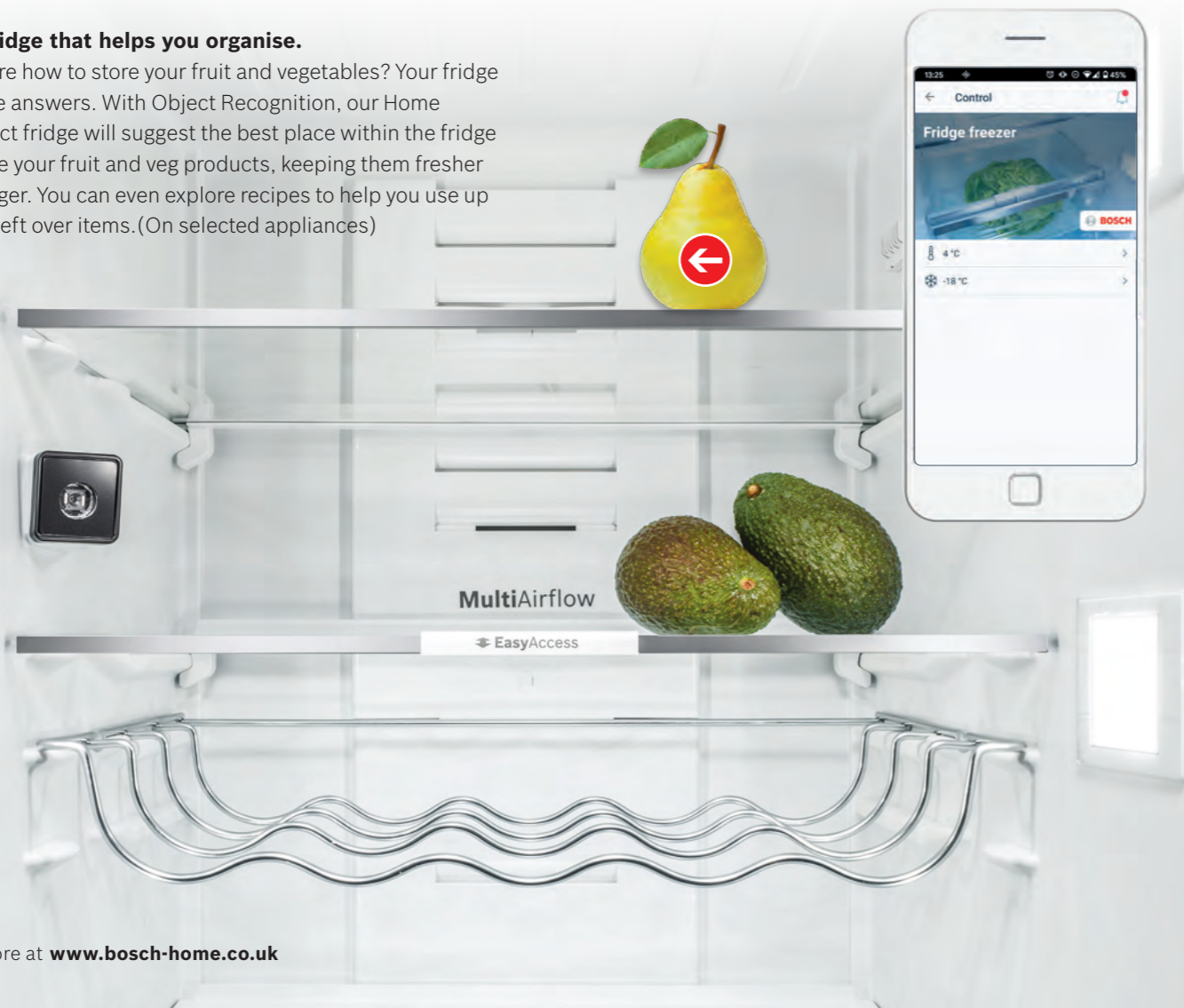


Check the food in your fridge, before check out.

Thanks to Home Connect, you can now check the contents of your fridge at any given time and place. Interior door cameras take pictures every time the door is closed, and conveniently sends them to your mobile device. Wherever you are, simply access your Home Connect app to get a perfect overview of what's in your fridge. Never forget the milk again.

The fridge that helps you organise.

Not sure how to store your fruit and vegetables? Your fridge has the answers. With Object Recognition, our Home Connect fridge will suggest the best place within the fridge to store your fruit and veg products, keeping them fresher for longer. You can even explore recipes to help you use up those left over items. (On selected appliances)



Peace of mind with Home Connect

Let us choose the best wash for you.

To stay at their best, different clothes need to be washed in different ways. With the Bosch Home Connect app, simply tell your washing machine what's in the load and it'll work out the perfect programme. It'll even tell you if there's an item that should come out and be washed a different way.



Tablet top up

Amazon Dash Replenishment* will automatically reorder your dishwasher tablets when your supply is running low. Simply activate Dash Replenishment in the Home Connect app and regain time spent shopping for supplies, as tablets will be automatically delivered to your doorstep. Another thing crossed off your to-do list.

*Set up of Amazon Dash Replenishment Service is required

What's for dinner?

Meal planning has never been easier. Browse the Home Connect Recipe Book from your favourite armchair. When you've made your choice, simply send all the settings from the app directly to your oven so it's ready to go when you are.

The range of recipes are all tried and tested by Bosch Home Economists around the world, so you'll find exciting new flavours alongside old family favourites.



Remote Delayed start

Adjust the settings on your appliance from any room in your house, or even when you're out and about. So if you're delayed while you're out? That's fine. You can simply adjust the settings from wherever you are and, if the food has already started cooking, you can simply press "pause". The oven will lower the temperature until you start it again so your meal isn't ruined.

Introducing the Bosch oven range.

Whatever kind of cook you are, we have a range of smart and stylish built-in single or double ovens for you to choose from. Serve up vitamin-packed meals using one of our innovative added steam ovens or, if limited on space, our easy to use microwaves and compact appliances will bring style and function to any kitchen.

Serie 8 +++

With their impressive technology, elegant design and sensor-controlled programmes, our **Serie 8** ovens meet every need and more in the kitchen. The innovative control wheel provides full control over your dishes at all times.

Serie 6 ++

Simple elegance meets superior technology. **Serie 6** ovens give you more than just convenient operation and energy efficiency. Modern functionality means your oven is easy to use with various programmes to suit different foods.

Serie 4 +

Modern design, quality engineering and practicality. Our **Serie 4** oven range looks stunning inside and out. Easy to use functionality with a selection of cooking programmes to choose from.

Cooking functions explained.

Check model for available functions.



4D Hotair

Place your food on any of the four shelf levels to achieve consistently perfect results: thanks to the fan wheel that changes the direction of rotation during operation to distribute heat evenly on every level.



3D Hotair

By maintaining the right temperature across three shelf levels, consistently even cooking results are achieved.



Top and bottom heat

Conventional baking and roasting on one level.



Top/Bottom heat gentle

Conventional baking and roasting on one level using residual heat, allowing you to gently cook meat, fish and baked items.



Hotair grilling

By operating alternatively, the grill and fan create a rotisserie effect, perfect for creating crisp meats and poultry.



Bottom heat

Only the bottom element is heated – ideal for pastry cases, bain-marie cooking and reheating.



Pizza setting

Create authentic pizzas with crisp bases and moist toppings. Also great for quiches, tarts and frozen foods.



Centre Grill

Use the centre grill for smaller quantities and more efficiency.



Hotair Gentle

For all those times you cook using just one shelf level, Hotair Gentle gives perfect results.



Full width variable grill

Grill large quantities with ease thanks to the precise temperature control. For added efficiency the door can be closed and the smells are kept in the oven.



Defrost

Gently defrosts food evenly and quicker than it would take on the kitchen counter.



Fast heat

For those times when you need your food ready more quickly, select fast heat to warm the oven faster.



Single point probe

The single point meat probe constantly measures the temperature at the core of the roast and as soon as the desired temperature is reached gives an acoustic and switches off automatically.

(Available in selected Serie 6 models only)



Perfect Roast Meat probe

Three highly sensitive measuring points determine the core temperature of your food to the exact degree, guaranteeing perfect roasting results and taking away the guesswork.

(Available in selected Serie 8 models only)



Added Steam

Produces succulent roasts, with juicy meats and crispy skins, as well as breads with the perfect colour and crust.



Pyrolytic cleaning

Heats the oven to around 480°C, which reduces dirt and grease deposits to dust that can be easily wiped away.

(Available in selected models only)



EcoClean Direct

Almost no cleaning is necessary thanks to a special coating of the rear wall that automatically absorbs grime.

(Available in selected models only)

Sabbath setting

Specifically to assist with certain religious requirements. Allows the oven to be set for up to 73 hours at a maximum 140°C to keep pre-prepared food warm. Oven door can be opened/closed without the display changing or causing changes to the heating and cooling fans.

Selecting the right oven for you and your kitchen.

Whether you're designing a new kitchen or you are simply updating one of your appliances, we have a wide variety of cooking products available to you to choose from. Depending on the space you have in your kitchen, you can choose from a single product or combination.

Single ovens.



HRG6769S6B

Double ovens.



MBA5785S0B

Double built-under ovens.



NBA5350S0B

Compact steam ovens.



CSG656BS7B

Compact ovens with microwave.



CMG676BS6B

Compact microwave combination ovens.



CPA565GS0B

Choose our built-in companion appliances to compliment your built-in oven.

Warming drawers.



BID630NS1B (29cm)
(warming drawers available in 29cm and 14cm high)

Coffee machine.



CTL63ES6

Serie 8 ovens

With their impressive technology, elegant design and crystal clear TFT-touch display, our **Serie 8** ovens meet every need and more in the kitchen. The innovative control wheel provides convenience and functionality with full control over your dishes at all times. Plus, thanks to sensor-controlled programmes, you'll achieve **perfect results** every time.



Home Connect.

Allows you to stay on top of your game by giving you easy access to a wide variety of innovative cooking and meal preparation techniques – all from the comfort of your mobile device.



Even heat. Maximum flexibility.

Thanks to **4D Hotair**, you can place your food on any of the four shelf levels and the results will be consistent. Our motor and fan wheel design makes it possible: it changes the direction of rotation during operation to distribute heat evenly on every level. And that's not all: with **4D Hotair**, you can also bake and roast on up to four different levels simultaneously. So you'll enjoy reliable results from top to bottom.



Added steam.

By adding precisely the right amount of steam at precisely the right moment, baking results get even better. **Steam** prevents food drying out, giving bread a deliciously **crispy crust** and a **light, fluffy inside**. Steam is also great for bringing out flavours, when roasting or re-heating. Simply fill the water tank, integrated behind the semi-automatic control panel in the Serie 8 ovens. The added steam function is controlled automatically.

(selected models only)



Perfect results at your fingertips.

Discover our sensor-controlled functions with **BoschAssist**, **PerfectBake** and **PerfectRoast**. This feature automatically sets precise information on temperatures and cooking times for all kinds of dishes, plus you can simply scroll through to find our intuitive baking and roasting functions.



Scroll through for the PerfectRoast.

Traditional British beef, Easter lamb or Sunday roast chicken – with the **PerfectRoast meat probe**, perfect results are guaranteed every time. With three temperature sensors for even more accuracy, the meat probe measures the core temperature of the food – removing the guesswork. Just like a professional chef, but with complete ease. Three highly sensitive measuring points determine the core temperature of your food to the exact degree, guaranteeing perfect roasting results and taking away the guesswork.



Scroll through for the PerfectBake.

Baking has never been easier. The **PerfectBake sensor** offers precise sensitivity and constantly measures the moisture level of dishes, as well as automatically regulating the baking process.



Pyrolytic Cleaning.

Cleaning the oven by hand can be very exhausting and time-consuming. Thanks to our ovens with the **Pyrolytic** self-cleaning function, you can now save yourself this task for good, without getting your hands dirty or using any chemical cleaning products. Just remove the trays and rails, select the level of soiling, press 'Start' and your oven will heat up to around 480°C, reducing any grease/food residues to dust. All that's left for you to do is wipe away the dust with a damp cloth.

Serie 6 ovens

Simple elegance meets superior technology. **Serie 6** ovens give you more than just convenient operation and superb energy efficiency. Modern functionality means your oven is easy to use with various programmes to suit different foods, all available to view clearly on the large LCD display.



3D Hotair

3D Hotair allows cooking on up to 3 shelves at any one time. The fan at the back of the oven distributes the heat from the ring heating element, creating consistent temperatures around the cooking cavity ensuring even temperatures.

- Hotair cooks at lower temperatures, so this cuts down soiling of grease and fat.



Single Point Meat Probe

The single point meat probe constantly measures the temperature at the core of the roast and as soon as the desired temperatures reached gives an acoustic and switches off automatically. No monitoring is needed to get the perfect roast. No over cooking or drying out.

- Suitable for leaner meat
- Connects to the oven internally via a plug-in jack
- Wide core temperature range: 30-99 °C
- User manual offers core temperature guidance for cooking results
- Suitable for using with **3D Hotair**, grilling and top bottom heat

Why not match up your **Serie 6** oven with a Compact Oven or built-in Microwave? Find out more on page 27.

Our Bosch **Serie 6** ovens all come with a selection of AutoPilot programmes for you to choose from. This means every dish is a perfect success when you cook using these functions. The selection is made even easier with the electronic control.



Home Connect.

Allows you to stay on top of your game by giving you easy access to a wide variety of innovative cooking and meal preparation techniques – all from the comfort of your mobile device.

(selected models only)



Added steam.

By adding the right amount of steam at precisely the right moment, baking results get even better. **Steam** prevents food drying out, giving bread a deliciously **crispy crust** and a **light, fluffy inside**. Steam is also great for bringing out flavours, when roasting or re-heating. The water tank is located on the control panel and comes out with a simple push. The added steam function is controlled automatically.

(selected models only)

Twice the cooking pleasure. Our Serie 6 double ovens.

If you need that extra bit of cooking capacity but don't have the space for two single ovens, you can choose from a selection of **Serie 6** built-in and built-under double ovens. With the latest **Serie 6** built-in double ovens you won't need to compromise on features either, with the double Pyrolytic oven – self-cleaning in both cavities.



Bosch Clip.

Clip design extended to feature on hoods and **Serie 4 & 6** ovens. The clip is made of polished chrome and embossed with the Bosch logo.

Also appears on other products in the Bosch portfolio, such as dishwashers and freestanding refrigerators, giving these appliances an unmistakable Bosch character.

Level Independent Telescopic Rails.

Designed to clip to the standard factory fitted shelf support rails, they can be positioned independently on any of the 5 oven shelf positions in the main cavity in our Serie 6 double ovens.

- Suitable for all levels, including the grill level
- Quick and easy installation and removal
- Suitable for single ovens and main ovens in double ovens.
- Additional Telescopic Rails can be purchased separately as an optional accessory.

Serie 4 ovens

Modern design, quality engineering and practicality. Our **Serie 4** oven range looks stunning inside and out. Easy to use functionality with a selection of cooking programmes to choose from.



2 Piece Slim Universal Pan

The optimum solution for cooking smaller quantities, different foods, different combinations and different cooking durations - all made easier with the two piece slimline pan concept.

- Each pan is the half-width of a universal baking tray - 18.5cm
- Transfers from fridge to oven and to dishwasher when finished.



Why not match up your **Serie 4** oven with a Compact Oven or built-in Microwave? Find out more on page 27.



3D Hotair

The **3D Hotair** allows cooking on up to 3 shelves at any one time. The fan at the back of the oven distributes the heat from the ring heating element behind the back panel evenly around the cooking cavity ensuring even temperatures.

- No intermingling of flavours so you can cook sweet and savoury dishes at the same time with confidence.

Space and premium features with our Serie 4 double ovens.

If you need that extra bit of cooking space but don't have the space for two single ovens, you can choose from a selection of **Serie 4** Built-in and Built-under double ovens. This means no compromising on the performance features and functions found in the **Serie 4** single ovens.



Our Bosch **Serie 4** double ovens all come with 5 cooking functions in the main cavity and 3 functions in the second oven. These also feature 2 Piece Slim pans and EcoClean, helping you accommodate different cooking needs and clean up after. Available in brushed steel, black or white, so you can select the perfect colour for your kitchen.

Bosch Clip.

Clip design extended to feature on hoods and **Serie 4 & 6** ovens. The clip is made of polished chrome and embossed with the Bosch logo.

Also appears on other products in the Bosch portfolio, such as dishwashers and freestanding refrigerators, giving these appliances an unmistakable Bosch character.

Whichever model you choose from our Serie ranges, you'll find lots of reasons to love your Bosch oven.



Combination design.

Using the highest quality stainless steel and glass, our ovens and compact appliances combine beautifully to deliver a timeless, elegant and stylish finish to any kitchen with sleek, co-ordinated lines and matching panels.

Combination possibilities.

Create seamless lines in your kitchen with our Serie ranges by combining a single oven together with one of our compact appliances and warming drawers. For the optimum in design co-ordination, choose appliances belonging to the same Serie family to create harmonious lines in your kitchen.

Cooking appliances can be arranged both horizontally and vertically, depending on the space you have in your kitchen.

Serie 8 +++ Serie 6 ++ Serie 4 +



HBG6764S6B

Example combination design match:

Compact	CSG656BS7B
Warming Drawer (29cm)	BID630NS1B
Warming Drawer (14cm)	BIC630NS1B
Coffee Centre	CTL636ES6
Microwave	BFL634GS1B



HRS578BS6B

Example combination design match:

Compact	CPA565GS0B
Warming Drawer (15cm)	BIC510NS0B
Microwave	BFL554MS0B



HBS573BS0B

Example combination design match:

Compact	CMA583MS0B
Warming Drawer (15cm)	BIC510NS0B
Microwave	BEL553MS0B

For more design combinations and alternative VIBs, please visit our website or ask your kitchen designer.

Explore more at www.bosch-home.co.uk

Single ovens

Serie 8 +++

HRG6769S6B



4D Hotair:

Even heat distribution for perfect results – on any level.



Pyrolytic self-cleaning:

No cleaning effort thanks to automatic self-cleaning. Including pyrolytic proof rails.



Home Connect: Home appliances with smart connectivity for an easier everyday life.



Added Steam: Produces succulent roasts, with juicy meats and crispy skins, as well as breads with the perfect colour and crust.

BoschAssist: Automatic setting of the optimal type of heat, temperature and time for countless dishes.

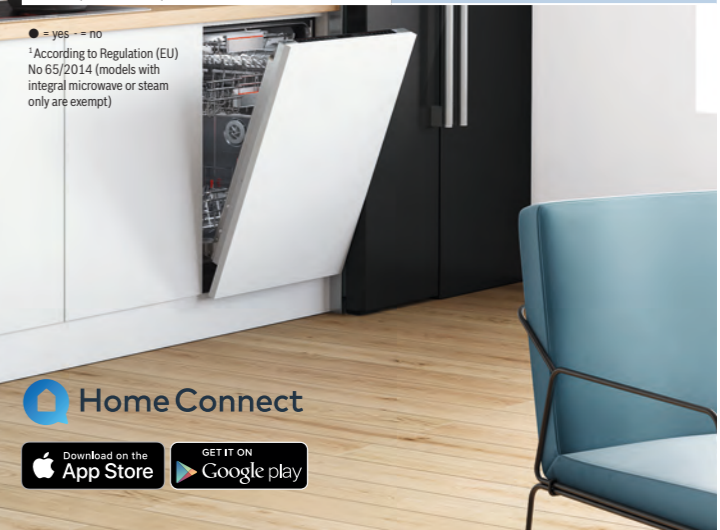
TFT touchscreen control: Easy-to-use thanks to the control ring with full text and images.



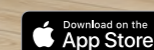
OVEN TYPE	PYROLYTIC WITH ADDED STEAM
DESIGN FAMILY	SERIE 8
Brushed Steel	HRG6769S6B
Black	-
White	-
KEY FEATURES	
Control Wheel, TFT Touchdisplay & ClearText	•
Control Wheel, TFT Display	-
Control dials / White LCD or Red LED Display	-
Electronic control	•
SoftClose / SoftOpen drop down door	•/•
Home Connect	•
BoschAssist	•
PerfectBake Sensor	•
Automatic cooking programmes	-
Perfect Roast Multi-point temperature probe	•
Single-point temperature probe	-
Added steam function	•
Pyrolytic self cleaning function	•
ecoClean® back / roof / side surfaces	-
ADDITIONAL PROGRAMMES / FUNCTIONS	
Hotair: 3D / 4D	4D
Conventional top & bottom heat / bottom heat only	•/•
Hotair / Conventional Gentle	•/•
Hotair grilling	•
Full width / Half width variable grill	•/•
Pizza Setting / Intensive Setting	•/•
Low temperature cooking	•
Defrost	•
Keep warm / Plate warming	•/•
Dehydrate	•
Fast heat	•
PERFORMANCE / TECHNICAL INFORMATION	
Oven capacity (L)	71
Energy efficiency index ¹	87.1
Energy efficiency class ¹	A
Energy consumption per cycle Hotair (kWh) ²	0.74
Energy consumption per cycle conventional (kWh) ²	0.90
Time to cook standard load (mins.) ¹	44
Largest baking sheet area (cm ²)	1290
Total connected loading (W)	3450
Cable length (cm)	120
Water tank capacity (L)	1
STANDARD ACCESSORIES	
Wire Shelves / Full width enamelled pan	2 / 1
Two-piece slim pan set	-
Fixed level telescopic shelves	3 levels
Level independent telescopic rail	-

• = yes - = no

¹ According to Regulation (EU) No 65/2014 (models with integral microwave or steam only are exempt)



Home Connect



Single ovens



Please check availability before ordering

OVEN TYPE	PYROLYTIC	PYROLYTIC	PYROLYTIC
DESIGN FAMILY	SERIE 8	SERIE 8	SERIE 8
BRUSHED STEEL	HBG6764S6B	HRG675BS1B	HBG674BS1B
BLACK	HBG6764B6B	-	HBG674BB1B
WHITE	-	-	-
KEY FEATURES			
Control Wheel, TFT Touchdisplay & ClearText	●	-	-
Control Wheel, TFT Display	-	●	●
Control dials / White LCD or Red LED Display	-	-	-
Electronic control	●	●	●
SoftClose / SoftOpen drop down door	●/●	●/●	●/●
Home Connect	●	-	-
BoschAssist	●	-	-
PerfectBake Sensor	●	-	-
Automatic cooking programmes	-	20	-
Perfect Roast Multi-point temperature probe	●	-	-
Single-point temperature probe	-	-	-
Added steam function	-	●	-
Pyrolytic self cleaning function	●	●	●
ecoClean® back / roof / side surfaces	-	-	-
ADDITIONAL PROGRAMMES / FUNCTIONS			
Hotair: 3D / 4D	4D	4D	4D
Conventional top & bottom heat / bottom heat only	●/●	●/●	●/●
Hotair / Conventional Gentle	●/●	●/●	●/●
Hotair grilling	●	●	●
Full width / Half width variable grill	●/●	●/●	●/●
Pizza Setting / Intensive Setting	●/-	●/-	●/-
Low temperature cooking	●	●	●
Defrost	●	●	●
Keep warm / Plate warming	●/●	●/●	●/●
Dehydrate	-	-	-
Fast heat	●	●	●
PERFORMANCE / TECHNICAL INFORMATION			
Oven capacity (L)	71	71	71
Energy efficiency index ¹	81.2	81.2	81.2
Energy efficiency class ¹	A+	A+	A+
Energy consumption per cycle Hotair (kWh) ¹	0.69	0.69	0.69
Energy consumption per cycle conventional (kWh) ¹	0.87	0.87	0.87
Time to cook standard load (mins.) ¹	42	42	42
Largest baking sheet area (cm ²)	1290	1290	1290
Total connected loading (W)	3450	3450	3450
Cable length (cm)	120	120	120
Water tank capacity (L)	-	1	-
STANDARD ACCESSORIES			
Wire Shelves / Full width enamelled pan	2 / 1	2 / 1	2 / 1
Two-piece slim pan set	-	-	-
Fixed level telescopic shelves	1 level	-	-
Level Independent telescopic rail	-	-	-

● = yes - = no

¹ According to Regulation (EU) No 65/2014 (models with integral microwave or steam only are exempt)

Please check availability before ordering

OVEN TYPE	STANDARD	STANDARD	PYROLYTIC WITH ADDED STEAM
DESIGN FAMILY	SERIE 8	SERIE 8	SERIE 6
BRUSHED STEEL	HRG635BS1B	HBG634BS1B	HRS578BS6B
BLACK	-	HBG634BB1B	-
WHITE	-	-	-
KEY FEATURES			
Control Wheel, TFT Touchdisplay & ClearText	-	-	-
Control Wheel, TFT Display	●	●	-
Control dials / White LCD or Red LED Display	-	-	●/White
Electronic control	●	●	●
SoftClose / SoftOpen drop down door	●/●	●/●	●/-
Home Connect	-	-	●
BoschAssist	-	-	-
PerfectBake Sensor	-	-	-
Automatic cooking programmes	20	-	30
Perfect Roast Multi-point temperature probe	-	-	-
Single-point temperature probe	-	-	-
Added steam function	-	-	●
Pyrolytic self cleaning function	-	-	●
ecoClean® back / roof / side surfaces	●/-/-	●/-/-	-
ADDITIONAL PROGRAMMES / FUNCTIONS			
Hotair: 3D / 4D	4D	4D	3D
Conventional top & bottom heat / bottom heat only	●/●	●/●	●/●
Hotair / Conventional Gentle	●/●	●/●	●/-
Hotair grilling	●	●	●
Full width / Half width variable grill	●/●	●/●	●/-
Pizza Setting / Intensive Setting	●/-	●/-	●/-
Low temperature cooking	●	●	●
Defrost	●	●	●
Keep warm / Plate warming	●/●	●/●	●/-
Dehydrate	-	-	-
Fast heat	●	●	●
PERFORMANCE / TECHNICAL INFORMATION			
Oven capacity (L)	71	71	71
Energy efficiency index ¹	81.2	81.2	95.3
Energy efficiency class ¹	A+	A+	A
Energy consumption per cycle Hotair (kWh) ¹	0.69	0.69	0.81
Energy consumption per cycle conventional (kWh) ¹	0.87	0.87	0.99
Time to cook standard load (mins.) ¹	42	42	50
Largest baking sheet area (cm ²)	1290	1290	1290
Total connected loading (W)	3600	3450	3600
Cable length (cm)	120	120	120
Water tank capacity (L)	1	-	0.2
STANDARD ACCESSORIES			
Wire Shelves / Full width enamelled pan	2 / 1	2 / 1	2 / 1
Two-piece slim pan set	-	-	●
Fixed level telescopic shelves	-	-	-
Level Independent telescopic rail	-	-	-

● = yes - = no

¹ According to Regulation (EU) No 65/2014 (models with integral microwave or steam only are exempt)

Single ovens



OVEN TYPE	PYROLYTIC	PYROLYTIC	STANDARD WITH ADDED STEAM
DESIGN FAMILY	SERIE 6	SERIE 6	SERIE 6
BRUSHED STEEL	HBG5785S6B	HBA5780S6B	HRS538BS6B
BLACK	-	-	-
WHITE	-	-	-
KEY FEATURES			
Control Wheel, TFT Touchdisplay & ClearText	-	-	-
Control Wheel, TFT Display	-	-	-
Control dials / White LCD or Red LED Display	● / White	● / White	● / White
Electronic control	●	●	●
SoftClose / SoftOpen drop down door	● / -	-	● / -
Home Connect	●	●	●
BoschAssist	-	-	-
PerfectBake Sensor	-	-	-
Automatic cooking programmes	30	30	30
Perfect Roast Multi-point temperature probe	-	-	-
Single-point temperature probe	●	-	-
Added steam function	-	-	●
Pyrolytic self cleaning function	●	●	-
ecoClean® back / roof / side surfaces	-	-	● / - / -
ADDITIONAL PROGRAMMES / FUNCTIONS			
Hotair: 3D / 4D	3D	3D	3D
Conventional top & bottom heat / bottom heat only	● / ●	● / ●	● / ●
Hotair / Conventional Gentle	● / -	● / -	● / -
Hotair grilling	●	●	●
Full width / Half width variable grill	● / -	● / -	● / -
Pizza Setting / Intensive Setting	● / -	● / -	● / -
Low temperature cooking	●	●	●
Defrost	●	●	●
Keep warm / Plate warming	● / -	● / -	● / -
Dehydrate	-	-	-
Fast heat	●	●	●
PERFORMANCE / TECHNICAL INFORMATION			
Oven capacity (L)	71	71	71
Energy efficiency index ¹	95.3	95.3	95.3
Energy efficiency class ¹	A	A	A
Energy consumption per cycle Hotair (kWh) ¹	0.81	0.81	0.81
Energy consumption per cycle conventional (kWh) ¹	0.99	0.99	0.99
Time to cook standard load (mins.) ¹	50	50	50
Largest baking sheet area (cm ²)	1290	1290	1290
Total connected loading (W)	2990	2990	2990
Cable length (cm)	120	120	120
Water tank capacity (L)	-	-	0.2
STANDARD ACCESSORIES			
Wire Shelves / Full width enamelled pan	2 / 1	2 / 1	2 / 1
Two-piece slim pan set	-	-	●
Fixed level telescopic shelves	-	-	-
Level Independent telescopic rail	1 Pair	1 Pair	-

● = yes - = no
¹ According to Regulation (EU) No 65/2014 (models with integral microwave or steam only are exempt)

STANDARD	STANDARD	PYROLYTIC	STANDARD
SERIE 6	SERIE 6	SERIE 4	SERIE 4
HBG5585S6B	HBA5570S0B	HBS573BS0B	HBS534BS0B
-	-	-	HBS534BB0B
-	-	-	HBS534BW0B
KEY FEATURES			
-	-	-	-
-	-	-	-
● / White	● / White	● / Red	● / Red
●	-	●	-
● / -	-	-	-
●	-	-	-
-	-	-	-
-	-	-	-
30	10	10	-
-	-	-	-
●	-	-	-
-	-	-	-
● / ● / ●	● / ● / ●	●	● / - / -
ADDITIONAL PROGRAMMES / FUNCTIONS			
3D	3D	3D	3D
● / ●	● / ●	● / -	● / ●
● / -	● / -	● / -	● / -
●	●	●	●
● / -	● / -	● / -	● / -
● / -	● / -	- / -	● / -
●	-	-	-
●	-	-	-
● / -	- / -	- / -	- / -
-	-	-	-
●	●	●	●
PERFORMANCE / TECHNICAL INFORMATION			
71	71	71	71
95.3	95.3	95.3	95.3
A	A	A	A
0.81	0.81	0.81	0.81
0.99	0.99	0.99	0.99
50	50	50	50
1290	1290	1290	1290
2990	2990	2990	2990
120	120	120	120
-	-	-	-
STANDARD ACCESSORIES			
2 / 1	2 / 1	2 / 1	2 / 1
-	-	●	●
-	-	-	-
1 Pair	1 Pair	-	-

● = yes - = no

Double ovens

Serie 6 ++

MBA5785S0B



OVEN TYPE	BUILT-IN DOUBLE	
DESIGN FAMILY	SERIE 6	
MODEL	MBA5785S0B	
BRUSHED STEEL		
KEY FEATURES	Main	2nd
Control dials / White LCD or Red LED Display	● / White	
Electronic control	●	●
Automatic cooking programmes	30	-
Single-point temperature probe	●	-
Pyrolytic self cleaning function	●	●
ecoClean® back / roof / side surfaces	-	-
ADDITIONAL PROGRAMMES / FUNCTIONS	Main	2nd
3D Hotair	●	-
Hotair Gentle	●	-
Defrost	●	-
Pizza Setting	●	-
Conventional top & bottom heat / bottom heat only	● / ●	● / ●
Full width variable grill	●	●
Half width variable grill	-	●
Hotair grilling	●	-
Low temperature cooking	●	-
Keep warm	●	-
Fast heat	●	-
PERFORMANCE / TECHNICAL INFORMATION	Main	2nd
Oven capacity (L)	71	34
Energy efficiency index ¹	95.3	120.3
Energy efficiency class ¹	A	B
Energy consumption per cycle Hotair (kWh) ¹	0.81	-
Energy consumption per cycle conventional (kWh) ¹	1.02	0.83
Time to cook standard load (mins.) ¹	44	44
Largest baking sheet area (cm ²)	1290	
Total connected loading (W)	6300	
STANDARD ACCESSORIES		
Wire Shelves / Full width enamelled pan	3 / 1	
Two-piece slim pan set	-	
Level Independent telescopic rail	1 Pair	
Two-piece slim pan set	-	

● = yes - = no
¹ According to Regulation (EU) No 65/2014 (models with integral microwave or steam only are exempt)



OVEN TYPE	BUILT-IN DOUBLE		BUILT-IN DOUBLE		BUILT-IN DOUBLE	
DESIGN FAMILY	SERIE 6		SERIE 6		SERIE 4	
BRUSHED STEEL	MBA5575S0B		MBA5350S0B		MBS533BS0B	
BLACK	-		-		MBS533BB0B	
WHITE	-		-		MBS533BW0B	
KEY FEATURES	Main	2nd	Main	2nd	Main	2nd
Control dials / White LCD or Red LED Display	● / White		● / White		● / Red	
Electronic control	-	-	-	-	-	-
Automatic cooking programmes	10	-	10	-	-	-
Single-point temperature probe	●	-	-	-	-	-
Pyrolytic self cleaning function	-	-	-	-	-	-
ecoClean® back / roof / side surfaces	● / ● / ●	● / ● / ●	● / - / -	● / ● / ●	● / - / -	- / - / -
ADDITIONAL PROGRAMMES / FUNCTIONS	Main	2nd	Main	2nd	Main	2nd
3D Hotair	●	-	●	-	●	-
Hotair Gentle	●	-	●	-	●	-
Defrost	-	-	-	-	-	-
Pizza Setting	●	-	-	-	-	-
Conventional top & bottom heat / bottom heat only	● / ●	● / ●	● / -	● / ●	● / -	● / -
Full width variable grill	●	●	●	●	●	●
Half width variable grill	-	●	-	●	-	●
Hotair grilling	●	-	●	-	●	-
Low temperature cooking	-	-	-	-	-	-
Keep warm	-	-	-	-	-	-
Fast heat	●	-	●	-	●	-
PERFORMANCE / TECHNICAL INFORMATION	Main	2nd	Main	2nd	Main	2nd
Oven capacity (L)	71	34	71	34	71	34
Energy efficiency index ¹	95.3	120.3	95.3	120.3	95.3	120.3
Energy efficiency class ¹	A	B	A	B	A	B
Energy consumption per cycle Hotair (kWh) ¹	0.81	-	0.81	-	0.81	-
Energy consumption per cycle conventional (kWh) ¹	1.02	0.83	1.02	0.83	1.02	0.83
Time to cook standard load (mins.) ¹	44	44	44	44	44	44
Largest baking sheet area (cm ²)	1290		1290		1290	
Total connected loading (W)	5900		5900		5900	
STANDARD ACCESSORIES						
Wire Shelves / Full width enamelled pan	3 / 1		3 / 1		3 / 1	
Two-piece slim pan set	-		-		●	
Level Independent telescopic rail	1 Pair		1 Pair		-	
Two-piece slim pan set	-		-		2	

● = yes - = no
¹ According to Regulation (EU) No 65/2014 (models with integral microwave or steam only are exempt)

All models comply with COMMISSION REGULATION (EC) No 1275/2008 with regard to ecodesign requirements for standby and off mode electric power consumption.

Built-under double ovens



Please check availability before ordering



Please check availability before ordering

OVEN TYPE	BUILT-UNDER DOUBLE		BUILT-UNDER DOUBLE	
DESIGN FAMILY	SERIE 6		SERIE 4	
BRUSHED STEEL	NBA53350S0B		NBS533BS0B	
BLACK	-		NBS533BB0B	
WHITE	-		NBS533BW0B	
KEY FEATURES	Main	2nd	Main	2nd
Control dials / White LCD or Red LED Display	● / White		● / Red	
Electronic control	-	-	-	-
Automatic cooking programmes	-	-	-	-
Single-point temperature probe	-	-	-	-
Pyrolytic self cleaning function	-	-	-	-
ecoClean® back / roof / side surfaces	● / - / -	● / ● / ●	● / - / -	- / - / -
ADDITIONAL PROGRAMMES / FUNCTIONS	Main	2nd	Main	2nd
3D Hotair	●	-	●	-
Hotair Gentle	●	-	●	-
Defrost	-	-	-	-
Pizza Setting	-	-	-	-
Conventional top & bottom heat / bottom heat only	● / -	● / ●	● / -	● / -
Full width variable grill	●	●	●	●
Half width variable grill	-	●	-	●
Hotair grilling	●	-	●	-
Low temperature cooking	-	-	-	-
Keep warm	-	-	-	-
Fast heat	●	-	●	-
PERFORMANCE / TECHNICAL INFORMATION	Main	2nd	Main	2nd
Oven capacity (L)	47	34	47	34
Energy efficiency index ¹	94.7	120.3	94.7	120.3
Energy efficiency class ¹	A	B	A	B
Energy consumption per cycle Hotair (kWh) ¹	0.71	-	0.71	-
Energy consumption per cycle conventional (kWh) ¹	0.80	0.83	0.80	0.83
Time to cook standard load (mins.) ¹	45	44	45	44
Largest baking sheet area (cm ²)	1290		1290	
Total connected loading (W)	5300		5300	
STANDARD ACCESSORIES				
Wire Shelves / Full width enamelled pan	2 / 1		2 / 1	
Two-piece slim pan set	-		●	
Level Independent telescopic rail	1 Pair		-	
Two-piece slim pan set	-		2	

● = yes - = no
¹ According to Regulation (EU) No 65/2014 (models with integral microwave or steam only are exempt)

Compact ovens



OVEN TYPE	MF PYROLYTIC OVEN WITH MICROWAVE
DESIGN FAMILY	SERIE 8
BLACK	CMG676BS6B
KEY FEATURES	<ul style="list-style-type: none"> Control Wheel, TFT Touchdisplay & Clear Text Control Wheel, TFT Display Control dials / White LCD or Red LED Display Electronic control SoftClose / SoftOpen drop down door Home Connect BoschAssist Automatic cooking programmes Pyrolytic self cleaning function ecoClean® back / roof / side surfaces
PROGRAMMES / FUNCTIONS	<ul style="list-style-type: none"> Hotair Hotair Gentle Conventional top & bottom heat / Bottom heat only Hotair grilling Full / half width variable grill Pizza Setting Low temperature cooking Keep warm / Plate warming Microwave Microwave combined with Hotair, Top & bottom heat, Hotair Grilling, Grill Microwave combined with Hotair / Grill Microwave combined with Hotair Grilling 100% steam Added Steam option Fast heat
PERFORMANCE / TECHNICAL INFORMATION	<ul style="list-style-type: none"> Oven capacity (L) Energy efficiency index ¹ Energy efficiency class ¹ Energy consumption per cycle Hotair (kWh) ¹ Energy consumption per cycle conventional (kWh) ¹ Time to cook standard load (mins.) ¹ Largest baking sheet area (cm²) Installation in tall housing / under work surface Inverter technology² Maximum Microwave Power in W3 / No. of power levels Turntable diameter (mm) Total connected loading (W) Cable length (cm) Water tank capacity (L)
STANDARD ACCESSORIES	<ul style="list-style-type: none"> Wire Shelves / Full width enamelled pan Steam trays

● = yes - = no
¹ According to Regulation (EU) No 65/2014 (models with integral microwave or steam only are exempt)
² For further information on inverter technology, please go to https://media3.bosch-home.com/Documents/MCDOC03402966_BOSCH_microwave_details_19.pdf
 For Inverter models, the maximum setting offers a time limited boost option for heating liquids. To ensure optimal results and to protect the appliance, the microwave power output is reduced in stages over the first few minutes down to the next power level (600W). After a cooling period, the microwave boost option will be available once more.



Compact ovens



OVEN TYPE	MF OVEN WITH MICROWAVE	MF OVEN WITH MICROWAVE	MICROWAVE ONLY
DESIGN FAMILY	SERIE 8	SERIE 8	SERIE 8
BRUSHED STEEL	CMG656BS6B	CMG633BS1B	CFA634GS1B
BLACK	CMG656BB6B	CMG633BB1B	-
KEY FEATURES			
Control Wheel, TFT Touchdisplay & ClearText	●	-	-
Control Wheel, TFT Display	-	●	●
Control dials / White LCD or Red LED Display	-	-	-
Electronic control	●	●	●
SoftClose / SoftOpen drop down door	●/●	●/●	-/-
Home Connect	●	●	-
BoschAssist	●	-	-
Automatic cooking programmes	-	14	7
Pyrolytic self cleaning function	-	-	-
ecoClean® back / roof / side surfaces	●/●/●	-/-/-	-/-/-
PROGRAMMES / FUNCTIONS			
Hotair	●	●	-
Hotair Gentle	●/●	●/-	-/-
Conventional top & bottom heat / Bottom heat only	●/●	-/-	-/-
Hotair grilling	●	●	-/-
Full / half width variable grill	●/●	●/-	-/-
Pizza Setting	●	-	-
Low temperature cooking	●	-	-
Keep warm / Plate warming	●/●	●/-	-/-
Microwave	●	●	●
Microwave combined with Hotair, Top & bottom heat,	●	-	-
Hotair Grilling, Grill	-	-	-
Microwave combined with Hotair / Grill	-	●/-	-
Microwave combined with Hotair Grilling	-	●	-
100% steam	-	-	-
Added Steam option	-	-	-
Fast heat	●	●	-
PERFORMANCE / TECHNICAL INFORMATION			
Oven capacity (L)	45	45	36
Energy efficiency index ¹	-	-	-
Energy efficiency class ¹	-	-	-
Energy consumption per cycle Hotair (kWh) ¹	-	-	-
Energy consumption per cycle conventional (kWh) ¹	-	-	-
Time to cook standard load (mins.) ¹	-	-	-
Largest baking sheet area (cm ²)	-	-	-
Installation in tall housing / under work surface	●/●	●/●	●/●
Inverter technology ²	●	●	●
Maximum Microwave Power in W3 / No. of power levels	900 / 5	900 / 5	900 / 5
Turntable diameter (mm)	-	-	-
Total connected loading (W)	3650	3650	1220
Cable length (cm)	120	120	150
Water tank capacity (L)	-	-	-
STANDARD ACCESSORIES			
Wire Shelves / Full width enamelled pan	1/1	1/1	Glass tray
Steam trays	-	-	-

MF OVEN WITH STEAM	MW COMBINATION OVEN WITH STEAM	MW COMBINATION OVEN	MW COMBINATION OVEN
SERIE 8	SERIE 6	SERIE 6	SERIE 4
CSG656BS7B	CPA565GS0B	CMA585GS0B	CMA583MS0B
-	-	-	-
●	-	-	-
-	-	-	-
-	● / white	● / white	● / red
●	●	●	●
●/●	-	-	-
●	-	-	-
●	-	-	-
-	30	15	15
-	-	-	-
●/●/●	●/-/-	-/-/-	-/-/-
●	●	●	●
●/●	-	-	-
●/●	-	-	-
●	-	-	-
●	Quartz /-	●/-	●/-
●	-	-	-
●	-	-	-
●/●	-	●	-
●	●	●	●
-	-	-	-
-	●/●	●/●	●/●
-	-	-	-
●	●	●	●
●	●	●	●
●	●	●	●
47	36	44	44
81.3	-	-	-
A+	-	-	-
0.61	-	-	-
0.79	-	-	-
42	-	-	-
1290	-	-	-
●/●	●/●	●/●	●/●
-	●	-	-
-	1000/5	900/5	900/5
-	-	-	360
3300	3100	3350	3350
120	150	180	180
1	0.8	-	-
1 / 1	1 / Glass tray & insert	Wire Shelf	2 wire racks
3	1	-	-

● = yes - = no
¹ Measured according the EN50304, 65/2014
² For further information on inverter technology, please go to [www.bosch-home.co.ukhttps://media3.bosch-home.com/Documents/MCDOC03402966_BOSCH_microwave_details_19.pdf](https://media3.bosch-home.com/Documents/MCDOC03402966_BOSCH_microwave_details_19.pdf)
³ For inverter models, the maximum setting offers a time limited boost option for heating liquids. To ensure optimal results and to protect the appliance, the microwave power output is reduced in stages over the first few minutes down to the next power level (600W). After a cooling period, the microwave boost option will be available once more.
 Ovens with integral microwave – When teamed with a single oven, Bosch compact ovens with microwave offer a great alternative to a double oven if you require more space for traditional cooking. Designed first and foremost to function as an oven, with construction, features and functions identical to a traditional single oven, these models benefit from the addition of microwaves at low medium power (max 360W) to deliver oven-led combination cooking, which speeds up the cooking process while retaining traditional cooking results.
 Microwave Combination Ovens – These models are designed to provide more functionality than a solo microwave oven, focussing on combination cooking, with the microwave using higher power (max. 600W) to lead the cooking process, supported by Hotair or grill functions to deliver speedy crisp and browned results. Based around a more traditional microwave functionality these models offer the perfect solution if regular microwave heating is the priority, but with the back-up of separate or combination Hotair cooking and grill functionality if required. These models are designed to operate best in combination mode, so when heating using microwave only, it may be necessary to adjust cooking times.

● = yes - = no
 All models comply with COMMISSION REGULATION (EC) No 1275/2008 with regard to ecodesign requirements for standby and off mode electric power consumption.

Microwave ovens



OVEN TYPE	MICROWAVE WITH GRILL	MICROWAVE	MICROWAVE	MICROWAVE
DESIGN FAMILY	SERIE 8	SERIE 8	SERIE 6	SERIE 6
BRUSHED STEEL	BEL634GS1B	BFL634GS1B	BFL554MS0B	BFL524MS0B
BLACK		BFL634GB1B		
WHITE				
KEY FEATURES				
Control Wheel, TFT Display	●	●	-	-
Control dials / White LCD or Red LED Display	-	-	● / White	● / White
Stainless steel interior	●	●	●	●
Left hinged door	●	●	●	●
Electronic	●	●	●	●
Automatic programmes	10	7	7	7
Electronic door opening	●	●	●	●
Memory function	-	-	1	1
Microwave	●	●	●	●
Quartz grill	●	-	-	-
Microwave and Grill Combination operation	●	-	-	-
PERFORMANCE / TECHNICAL INFORMATION				
Useable oven capacity (L)	21	21	25	20
Inverter technology ¹	●	●	-	-
Maximum microwave power (W) ²	900	900	900	800
Number of microwave power levels	5	5	5	5
Microwave distribution	Stirrer	Stirrer	Turntable	Turntable
Turntable diameter (mm)	-	-	315	255
Total connected loading (W)	1990	1220	1450	1270
Cable length (cm)	150	150	130	130
GB plug	●	●	Yes	Yes
Installation in tall housing	●	●	●	●
Installation 60cm wide wall unit	●	●	-	●
Installation 50cm wide wall unit	-	-	-	-
STANDARD ACCESSORIES				
Glass pan	1	-	-	-
Wire rack	1	-	-	-

¹ For further information on inverter technology, please go to https://media3.bosch-home.com/Documents/MCDOC03402966_BOSCH_microwave_details_19.pdf

² For inverter models, the maximum setting offers a time limited boost option for heating liquids. To ensure optimal results and to protect the appliance, the microwave power output is reduced in stages over the first few minutes down to the next power level (600W). After a cooling period, the microwave boost option will be available once more.

Ovens with integral microwave – When teamed with a single oven, Bosch compact ovens with microwave offer a great alternative to a double oven if you require more space for traditional cooking. Designed first and foremost to function as an oven, with construction, features and functions identical to a traditional single oven, these models benefit from the addition of microwaves at low medium power (max 360W) to deliver oven-led combination cooking, which speeds up the cooking process while retaining traditional cooking results.
 Microwave Combination Ovens – These models are designed to provide more functionality than a solo microwave oven, focussing on combination cooking, with the microwave using higher power (max. 600W) to lead the cooking process, supported by Hotair or grill functions to deliver speedy crisp and browned results. Based around a more traditional microwave functionality these models offer the perfect solution if regular microwave heating is the priority, but with the back-up of separate or combination Hotair cooking and grill functionality if required. These models are designed to operate best in combination mode, so when heating using microwave only, it may be necessary to adjust cooking times.

MICROWAVE WITH GRILL	MICROWAVE	MICROWAVE WITH GRILL	MICROWAVE	MICROWAVE
SERIE 4	SERIE 4	SERIE 4	SERIE 4	SERIE 2
BEL553MS0B	BFL553MS0B	BEL523MS0B	BFL523MS0B	HMT75M51B
	BFL553MB0B		BFL523MB0B	
	BFL553MW0B		BFL523MW0B	
-	-	-	-	-
● / Red	● / Red	● / Red	● / Red	● / Red
●	●	●	●	●
●	●	●	●	●
●	●	●	●	-
8	7	8	7	7
●	●	●	●	-
1	1	1	1	1
●	●	●	●	●
●	-	●	-	-
●	-	●	-	-
25	25	20	20	17
-	-	-	-	-
900	900	800	800	800
5	5	5	5	5
Turntable	Turntable	Turntable	Turntable	Turntable
315	315	255	255	245
1450	1450	1270	1270	1270
130	130	130	130	130
Yes	Yes	Yes	Yes	Yes
●	●	●	●	-
-	-	●	●	-
-	-	-	-	●
-	-	-	-	-
1	-	1	-	-

● = Yes - = No

Warming drawers



OVEN TYPE	WARMING DRAWER	WARMING DRAWER	WARMING DRAWER
DESIGN FAMILY	SERIE 8	SERIE 8	SERIE 6/4
BRUSHED STEEL	BID630NS1B	BIC630NS1B	BIC510NS0B
BLACK	-	BIC630NB1B	-
KEY FEATURES			
Keep warm	●	●	●
Plate warming	●	●	●
Defrost	●	●	●
Low temperature cooking	●	●	-
Operating indicator light	Red	Red	Red
Electronic control	●	●	-
Rotary temperature control dial	●	●	●
Number of settings	4	4	3
Maximum temperature (°C)	80	80	80
Minimum temperature (°C)	40	40	40
Maximum loading (plates)	40	12	14
Maximum loading (espresso cups)	192	64	64
Toughened glass drawer base	●	●	-
Anti slip mat	-	-	-
Push-Pull opening mechanism	●	●	●
PERFORMANCE / TECHNICAL INFORMATION			
Drawer interior volume (L)	52	20	23
Maximum weight capacity (kg)	25	25	15
Install independently	●	●	●
Install with a compact appliance	Serie 8	Serie 8	Serie 6/4
Install with a single oven	Serie 8	Serie 8	Serie 6/4
Installation in a tall housing	●	●	●
Installation under work surface	●	●	●
Nominal voltage (V)	220-240	220-240	220-240
Total connected loading (W)	810	810	400
Cable length (cm)	150	150	150
GB plug	●	●	●

● = Yes - = No

All models comply with COMMISSION REGULATION (EC) No 1275/2008 with regard to ecodesign requirements for standby and off mode electric power consumption.

Smart Coffee Centre.

Your very own barista.

When you take your coffee seriously, your coffee machine needs to be seriously impressive. With the Bosch Home Connect Coffee Centre, you get your very own virtual barista, skilled at producing delicious coffees from all over the world.

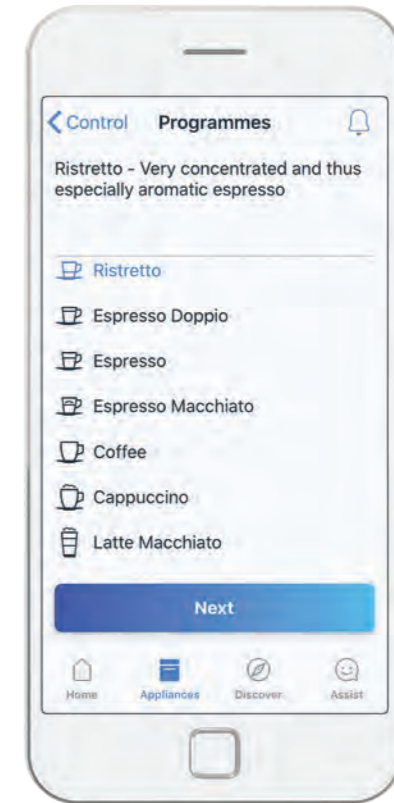
Using CoffeeWorld, built into the Home Connect app, you are able to create almost twenty superb drinks and international favourites at the touch of a button. Your kitchen becomes your new favourite coffee shop.

Playlist.

Making drinks for lots of people? There's no need to memorise the list. Simply use the Home Connect app Coffee Playlist feature and get everyone to select their favourite drink.



Your coffee machine will make them all, one by one, at your command. You can even add selections from the CoffeeWorld feature for added luxury.



Your coffee, your way.

Replicating your perfect cup of coffee can sometimes feel impossible. Home Connect now makes getting the perfect coffee easier than ever. Simply save your favorite coffee creation in the Home Connect app. Then sit back and let the machine take over. Treat yourself to the cup of coffee you know and love.



OVEN TYPE	COFFEE CENTRE
DESIGN FAMILY	SERIE 8
MODEL	CTL636E6
KEY FEATURES	
Control Wheel, TFT Display	Stainless steel
Home Connect	●
Electronic control	●
SensoFlow System	●
Aroma pressure system	●
Auto Valve System	●
Ceramic coffee grinders	●
Multilevel grinding setting	●
Cup illumination	●
Height adjustable milk / coffee outlet (mm)	7-15
Adjustable automatic switch off setting	●
Integrated water filter	●
PROGRAMMES / FUNCTIONS	
Personalised milk beverage, milk foam, hot water, warm milk, ristretto, coffee, espresso, cappuccino, latte macchiato, cafe latte, espresso macchiato	1 or 2 cup
One touch function for milk drinks	●
Coffee / hot water temperature options	3 / 4
Milk foam/frothing function	● / ●
Hot Milk function	●
Cleaning / de-scaling / combined programmes	● / ● / ●
Automatic rinse when switched on/off	● / ●
PERFORMANCE / TECHNICAL INFORMATION	
Installation in a tall housing	950-1450mm high
Left hinged door to access interior	●
Insulated Milk container capacity (L)	0.5
Brewing chamber volume (g)	8-12
Bean container	500
Ground coffee container	●
Water tank capacity (L)	2.4
Total connected loading (W)	1600
Cable length (in cm)	170

● = Yes - = No

Introducing the Bosch electric hob range.

As you would expect from Bosch, all our electric hobs are made using high quality materials, are easy to use and add contemporary elegance to any kitchen.

To help you choose the right electric hob for your home we have divided them into the three ranges below.



Serie 8 +++

Our **Serie 8** range of electric hobs combines convenience and elegant design, allowing you to select individual cooking zones and power levels. All controlled at just the touch of a button with the modern touch control, TFT or DirectSelect Premium control.

Serie 6 ++

Expect excellent operation and timeless designs with our **Serie 6** range of hobs. You'll get premium engineering and materials, so that you can always cook something a little bit special. Get ultimate control with the easy to use DirectSelect touch control.

Serie 4 +

Featuring a range of **Serie 4** electric hobs that are convenient and simple to operate, our essential range maintains classic design with contemporary style.

Whichever model you choose from our Serie ranges, you'll find lots of reasons to love your Bosch electric hob.



Faster cooking, reduced energy consumption.

Induction hobs generate heat only where it is needed – in the base of the pan. What does this mean for you? More safety and convenience. The lower temperature keeps both big and little hands safe from burning. Not only that, but an induction hob brings water to a boil much faster than a glass-ceramic hob, which also saves a great deal of energy.

Express cooking.

Induction cooking with a turbo boost. The **Boost function** allows you to increase the power of the cooking zone by 50% - perfect for large pots and pans or when you're in a hurry.

Easy to clean.

Automatic pan recognition only heats up the base of the pan and not the rest of the zone, which doesn't waste energy and leaves the rest of the hob cool to touch. Keeping the hob cooler makes it safer and also prevents spillages from burning on so it's easy to clean.

Clean up in an instant.

In case of any spills, simply select the **Freeze function** which freezes all the heat settings so you can thoroughly wipe and clean the hob surface. To restore the previous heat settings simply touch the button again!



Cooking that's designed around you.

Ultimate flexibility with FlexInduction. One, two or three pots, or even a large casserole: the Bosch FlexInduction hob leaves it up to you. At the flick of a switch, you can combine two induction zones into a large induction surface on which you can cook the way you want.



Even more flexibility.

Available on selected **Serie 8** FlexInduction hobs, the **Extended FlexInduction zone** offers optimum flexibility. The amount of usable surface on the hob is maximised to accommodate even the largest of cookware. With **CombiZone**, two cooking zones can be linked, making the switch from small to large pans effortless. Plus, the **MoveMode function** automatically switches from boil to simmer with a simple slide of the saucepan.

TFT Display.

Clear text and pictures allow simple operation of the integrated touch display.

More control at your fingertips.



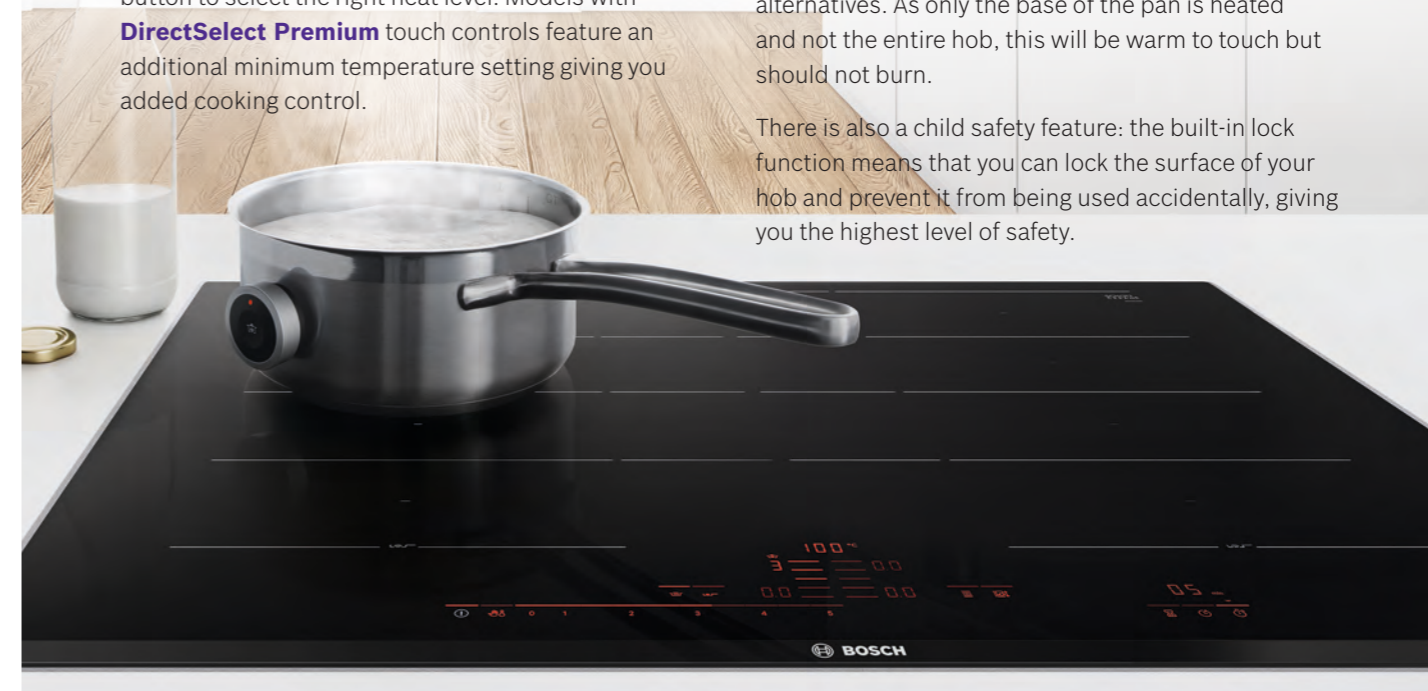
Set the correct temperature with a single touch thanks to **DirectSelect**.

No more scrolling up or down, just simply press one button to select the right heat level. Models with **DirectSelect Premium** touch controls feature an additional minimum temperature setting giving you added cooking control.

Cooking with induction is not just quick, safe and clean.

Cooking with induction is safer than all other alternatives. As only the base of the pan is heated and not the entire hob, this will be warm to touch but should not burn.

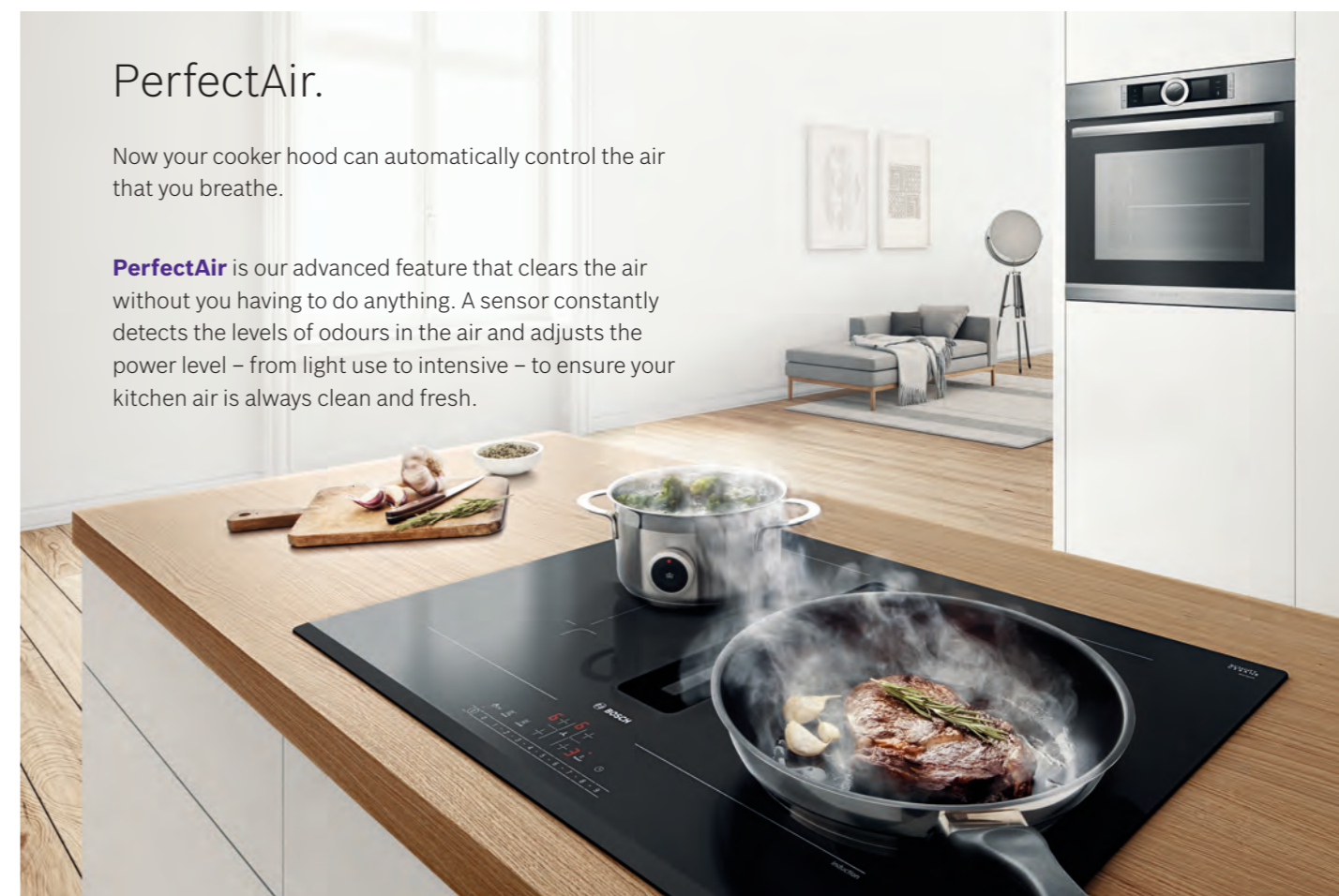
There is also a child safety feature: the built-in lock function means that you can lock the surface of your hob and prevent it from being used accidentally, giving you the highest level of safety.



PerfectAir.

Now your cooker hood can automatically control the air that you breathe.

PerfectAir is our advanced feature that clears the air without you having to do anything. A sensor constantly detects the levels of odours in the air and adjusts the power level – from light use to intensive – to ensure your kitchen air is always clean and fresh.



Venting hobs

Perfect results every time.



PerfectCook

May your pasta never boil over again. Our hobs are designed with a sensor so you'll be able to control your cooking by the temperature in the pan rather than the power level. So whether you're defrosting, warming up, cooking or deep fat frying, you're in control with our smart **CookingSensor**, because precise temperature control guarantees perfect cooking results.

This feature requires the additional purchase of a **CookingSensor** to operate.

Available from www.bosch-home.co.uk/store.

PerfectFry

Enjoy perfectly cooked steak, however you like it. Our clever **FryingSensor** measures the temperature in the pan for perfect results. So when you're reducing a sauce, the heat will be low and gentle, and when you want a high heat for frying a steak, you'll have precisely the right temperature.

Say goodbye to overcooking and undercooking your favourite meals.

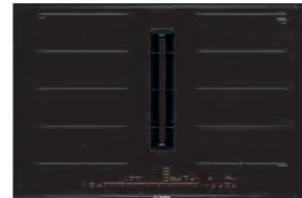


Explore more at www.bosch-home.co.uk

Model shown: PXX975KW1E

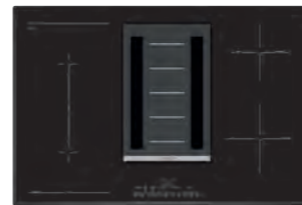
Serie 8 +++

PXX875D67E



Serie 6 +++

PVS851F21E



Discontinuing September 2020

PVQ731F15E



To allow you more freedom and flexibility in designing your kitchen, we've developed hobs with an integrated ventilation module. These hobs combine the latest technologies of our induction hobs and cooker hoods in a single appliance. The integrated ventilation module extracts steam and odours at their source.

The perfect combination.

The **PerfectAir** venting hob removes odours from the source, leading to fewer cooking smells in the kitchen. It can be easily installed into the work surface to suit any kitchen design and has the added convenience of being easy to clean. Thanks to the **PerfectFry** sensor and **PerfectCook** sensor on the hob, you can achieve perfect results whether you're frying or boiling.

Important: Venting Hobs can be installed in either recirculation or ducted out operation. Therefore each venting hob requires an additional Recirculation Kit or Ducting Kit depending on the intended installation. Please reference the optional accessories section for relevant kits and ensure you select the appropriate kit to install your venting hob.



All models comply with COMMISSION REGULATION (EC) No 1275/2008 with regard to ecodesign requirements for standby and off mode electric power consumption.

Model shown: PXX875D67E

The best of our hobs and cooker hoods. Combined perfectly in just a single appliance.

TYPE	FLEX INDUCTION	FLEX INDUCTION	FLEX INDUCTION
SERIE	SERIE 8	SERIE 6	SERIE 6
MODEL NUMBER	PXX875D67E	PVS851F21E	PVQ731F15E
Width in mm	816	802	710
Control position	Front	Front	Front
Control type	DirectSelect Premium	DirectSelect	DirectSelect
Style	Comfort Profile	Bevel Front & Sides	Front Bevel
KEY FEATURES			
Home Connect	●	-	-
Integrated extractor	●	-	-
Automatic extraction	Fully sensor based	Auto-On	Auto-On
Wireless temperature sensor ready	HEZ39050 required	-	-
PerfectFry Sensor settings for hob	5 settings	4 settings	-
Number of FlexInduction zones	2	-	-
Number of Combi Induction zones	-	1: Left	2: Left & Right
Digital display	●	●	●
HOB FEATURES			
Number of individual zones	4	4	4
Power levels	17	17	17
PowerBoost	●	●	●
PanBoost	●	-	●
MoveMode	3 stages	2 stages	2 stages
Automatic setting transfer	●	-	-
Energy Consumption Display	●	●	●
Timer with automatic switch off for each zone	●	●	●
Count up Timer	●	-	-
QuickStart	●	-	-
ReStart	●	●	●
Keep warm function	●	-	-
Wipe protection function	●	●	●
HOOD FEATURES			
PerfectAir Sensor	●	-	-
Metal grease filter	-	-	-
Power levels	17 + 2 Intensive	9 + 1 Intensive	9 + 2 Intensive
Automatic intensive revert setting	6 minutes	6 minutes	6 minutes
Automatic or manual control	●	●	●
Automatic after running: Extraction / Recirculation	12 / 30 minutes	30 minutes	12 / 30 minutes
Interval operation	●	●	●
Dishwasher safe air inlet grid / standing area	-	●	-
Dishwasher safe grease filter cassette with spillage collection	Yes - 200ml capacity	Yes - 200ml capacity	Yes - 200ml capacity
Dishwasher safe spillage overflow collector	700ml capacity	2000ml capacity	700ml capacity
Electronic grease filter / cleanAir filter saturation indicators	● / ●	● / ●	● / ●
SAFETY FEATURES			
Main on/off switch	●	●	●
Two stage residual heat indicators	●	●	●
Safety lock	●	●	●
Automatic pan recognition	●	●	●
Timed safety switch off	●	●	●
PERFORMANCE / TECHNICAL INFORMATION - HOB			
Nominal voltage (V)	220-240	220-240	220-240
Maximum power output (W)	7,400	6,900	7,400
Electrical cable length (cm)	110	110	110
Rear left zone - power (kW) / dimensions (mm)	2.20 200x240	2.20 210x210	2.20 190x190
Rear right zone - power (kW) / dimensions (mm)	2.20 200x240	1.40 145x145	2.20 190x190
Front left zone - power (kW) / dimensions (mm)	2.20 200x240	2.20 210x210	2.20 210x210
Front right zone - power (kW) / dimensions (mm)	2.20 200x240	1.80 180x180	2.20 210x210
Flexible Zone left - power (kW) / dimensions (mm)	3.30 400x240	3.60 439x210	3.60 380x210
Flexible Zone right - power (kW) / dimensions (mm)	3.30 400x240	-	3.60 380x210
Rear left zone - with powerBoost (max. kW)	3.70	3.70	3.70
Rear right zone - with powerBoost (max. kW)	3.70	2.20	3.70
Front left zone - with powerBoost (max. kW)	3.70	3.70	3.70
Front right zone - with powerBoost (max. kW)	3.70	3.10	3.70
PERFORMANCE / TECHNICAL INFORMATION - EXTRACTOR			
Extractor Energy Efficiency Rating	B	A	B
Extraction rate in m ³ /h ^(1,2)			
- Ducted / Recirculating power level Minimum	154 / 150	169 / 139	153 / 161
- Ducted / Recirculating power level Maximum	500 / 500	551 / 557	507 / 509
- Ducted / Recirculating power level Intensive	622 / 615	689 / 620	623 / 615
Noise level (sound power) based on dB(A) re 1 pW ^(1,3)			
- Ducted / Recirculating power level Minimum	42 / 41	42 / 42	42 / 41
- Ducted / Recirculating power level Maximum	69 / 68	70 / 73	70 / 68
- Ducted / Recirculating power level Intensive	74 / 72	75 / 75	74 / 72
Motor power (W)	170	170	170
OPTIONAL ACCESSORIES			
Wireless temperature sensor	HEZ39050	-	-
Set of three pans	HEZ95E030	HEZ95E030	HEZ95E030
Rectangular roasting pan with lid (approx. 320x200mm)	HEZ390011	HEZ390011	HEZ390011
Steamer pan insert of use with HEZ390011 roasting pan	HEZ390012	HEZ390012	HEZ390012
Teppan Yaki (approx. 400x200mm)	HEZ390512	HEZ390512	HEZ390512
Griddle plate (approx. 400x200mm)	HEZ390522	HEZ390522	HEZ390522
Ducted operation using accessory kit	HEZ9VEDU0	HEZ381401	HEZ9VEDU0
Recirculating operation: CleanAir 'Unducted' Kit accessory	HEZ9VRU00	-	HEZ9VRU00
Recirculating operation: CleanAir 'Partly Ducted' Kit accessory	HEZ9VRP00	-	HEZ9VRP00
Recirculating operation: Full Kit and CleanAir Filter accessory	-	HEZ381501	-

● = Yes - ● = No

¹ Power automatically reverts back to normal setting after intensive.

² A type of recirculating kit is required if recirculating.

³ Measured according to EN61591 on largest pipe diameter.

Making **life easy** through innovative technologies

Induction hobs

Serie 8 +++

PXX975KW1E



TFT-touchdisplay: Clear text and pictures allow simple operation of the integrated touch display.

Assist: Automatic setting of the ideal power level recommendation of and cooking time for countless dishes.

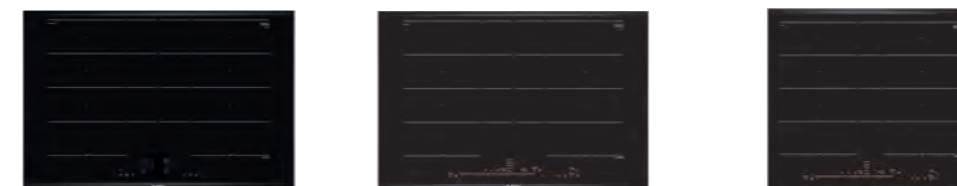
FlexInduction Zone: Get more flexibility by combining the cooking zones into one big zone for placing small pots and large cookware.

Home Connect: Connected home appliances for an easier everyday life.

Hob-Hood Control: Convenient operation of the hood via your hob (with matching hood).

TYPE		FLEX INDUCTION
DESIGN FAMILY		SERIE 8
MODEL NUMBER		PXX975KW1E
Width in mm		916
Control position		Front
Control type		Full Touch Display
Style		Comfort Profile
KEY FEATURES		
Number of individual zones		5
HomeConnect		●
HoodControl		●
5" Full Touch colour display with Dish Categories		●
PerfectCook temperature sensor ready		HEZ39050 required
PerfectFry Sensor settings		5 settings
Number of FlexInduction zones		3
Extended FlexInduction Zone		-
Number of CombiZones		-
PowerBoost		●
PanBoost		●
MoveMode		3 stages
Automatic setting transfer		●
Energy Consumption Display		●
Plug&Play with GB Plug		-
PERFORMANCE / TECHNICAL INFORMATION		
Nominal voltage (V)		220-240
Maximum power output (W)		11,100
Electrical cable length (cm)		110
Rear left FlexInduction zone - power (kW) / dimensions (mm)		2.20 / 200x240
Rear left zone - power (kW) / diameter (mm)		-
Rear right FlexInduction zone - power (kW) / dimensions (mm)		2.20 / 200x240
Rear right zone - power (kW) / diameter (mm)		-
Rear centre zone - power (kW) / diameter (mm)		2.60 / 300x240
Front centre zone - power (kW) / diameter (mm)		-
Front left FlexInduction zone - power (kW) / dimensions (mm)		2.20 / 200x240
Front left zone - power (kW) / diameter (mm)		-
Front right FlexInduction zone - power (kW) / dimensions (mm)		2.20 / 200x240
Front right zone - power (kW) / diameter (mm)		-
FlexInduction zone left - power (kW) / dimensions (mm)		3.30 / 400x240
FlexInduction zone right - power (kW) / dimensions (mm)		3.30 / 400x240
Extended FlexInduction rear left - power (kW) / dimensions (mm)		-
Extended FlexInduction rear right - power (kW) / dimensions (mm)		-
CombiZone left - power (kW) / dimensions (mm)		-
CombiZone right - power (kW) / dimensions (mm)		-
Rear left zone - with powerBoost (max. kW)		3.70
Rear right zone - with powerBoost (max. kW)		3.70
Rear centre zone - with powerBoost (max. kW)		3.70
Front centre zone - with powerBoost (max. kW)		-
Front left zone - with powerBoost (max. kW)		3.70
Front right zone - with powerBoost (max. kW)		3.70

● = Yes - = No

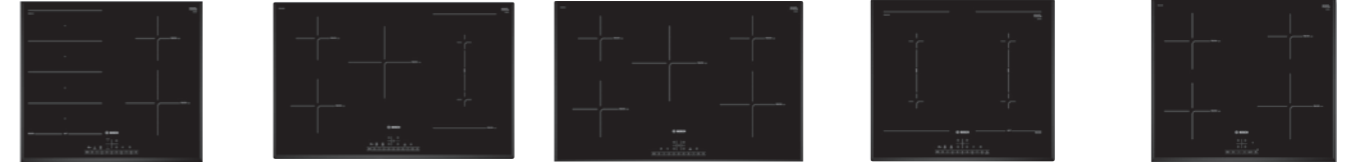
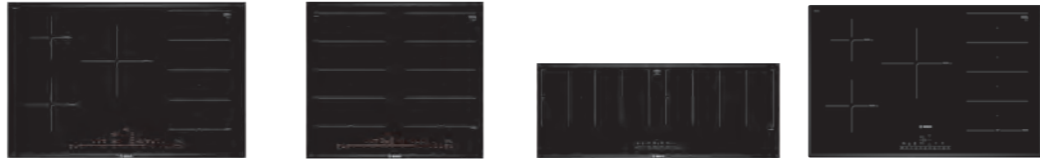


TYPE		FLEX INDUCTION	FLEX INDUCTION	FLEX INDUCTION
DESIGN FAMILY		SERIE 8	SERIE 8	SERIE 8
MODEL NUMBER		PXY875KW1E	PXY875DE3E	PXY675DE3E
Width in mm		816	816	606
Control position		Front	Front	Front
Control type		Full Touch Display	DirectSelect Premium	DirectSelect Premium
Style		Comfort Profile	Comfort Profile	Comfort Profile
KEY FEATURES				
Number of individual zones		4	4	4
HomeConnect		●	-	-
HoodControl		●	-	-
5" Full Touch colour display with Dish Categories		●	-	-
PerfectCook temperature sensor ready		HEZ39050 required	HEZ39050 required	HEZ39050 required
PerfectFry Sensor settings		5 settings	5 settings	5 settings
Number of FlexInduction zones		2	2	2
Extended FlexInduction Zone		2	2	1
Number of CombiZones		-	-	-
PowerBoost		●	●	●
PanBoost		●	●	●
MoveMode		3 stages	3 stages	3 stages
Automatic setting transfer		●	●	●
Energy Consumption Display		●	●	●
Plug&Play with GB Plug		-	-	-
PERFORMANCE / TECHNICAL INFORMATION				
Nominal voltage (V)		220-240	220-240	220-240
Maximum power output (W)		7,400	7,400	7,400
Electrical cable length (cm)		110	110	110
Rear left FlexInduction zone - power (kW) / dimensions (mm)		2.20 / 200x230	2.20 / 200x230	2.20 / 190x230
Rear left zone - power (kW) / diameter (mm)		-	-	-
Rear right FlexInduction zone - power (kW) / dimensions (mm)		2.20 / 200x230	2.20 / 200x230	2.20 / 190x230
Rear right zone - power (kW) / diameter (mm)		-	-	-
Rear centre zone - power (kW) / diameter (mm)		-	-	-
Front centre zone - power (kW) / diameter (mm)		-	-	-
Front left FlexInduction zone - power (kW) / dimensions (mm)		2.20 / 200x230	2.20 / 200x230	2.20 / 190x230
Front left zone - power (kW) / diameter (mm)		-	-	-
Front right FlexInduction zone - power (kW) / dimensions (mm)		2.20 / 200x230	2.20 / 200x230	2.20 / 190x230
Front right zone - power (kW) / diameter (mm)		-	-	-
FlexInduction zone left - power (kW) / dimensions (mm)		3.30 / 400x230	3.30 / 400x230	3.30 / 380x230
FlexInduction zone right - power (kW) / dimensions (mm)		3.30 / 400x230	3.30 / 400x230	3.30 / 380x230
Extended FlexInduction rear left - power (kW) / dimensions (mm)		3.30 / 300x300	3.30 / 300x300	3.30 / 300x300
Extended FlexInduction rear right - power (kW) / dimensions (mm)		3.30 / 300x300	3.30 / 300x300	3.30 / 300x300
CombiZone left - power (kW) / dimensions (mm)		-	-	-
CombiZone right - power (kW) / dimensions (mm)		-	-	-
Rear left zone - with powerBoost (max. kW)		3.70	3.70	3.70
Rear right zone - with powerBoost (max. kW)		3.70	3.70	3.70
Rear centre zone - with powerBoost (max. kW)		-	-	-
Front centre zone - with powerBoost (max. kW)		-	-	-
Front left zone - with powerBoost (max. kW)		3.70	3.70	3.70
Front right zone - with powerBoost (max. kW)		3.70	3.70	3.70

● = Yes - = No



Induction hobs



TYPE	FLEX INDUCTION	FLEX INDUCTION	FLEX INDUCTION	FLEX INDUCTION
DESIGN FAMILY	SERIE 8	SERIE 8	SERIE 6	SERIE 6
MODEL NUMBER	PXX875DV1E	PXX675DV1E	PXX275FC1E	PXX851FC1E
Width in mm	816	606	916	802
Control position	Front	Front	Front	Front
Control type	DirectSelect Premium	DirectSelect Premium	DirectSelect	DirectSelect
Style	Comfort Profile	Comfort Profile	Comfort Profile	Bevel Front & Sides

KEY FEATURES				
Number of individual zones	5	4	4	5
HomeConnect	●	●	-	-
HoodControl	●	●	-	-
5" Full Touch colour display with Dish Categories	-	-	-	-
PerfectCook temperature sensor ready	-	-	-	-
PerfectFry Sensor settings	5 settings	5 settings	4 settings	4 settings
Number of FlexInduction zones	1	2	2	1
Extended FlexInduction Zone	-	-	-	-
Number of CombiZones	-	-	-	-
PowerBoost	●	●	●	●
PanBoost	●	●	-	●
MoveMode	3 stages	3 stages	-	3 stages
Automatic setting transfer	-	-	-	-
Energy Consumption Display	●	●	●	●
Plug&Play with GB Plug	-	-	-	-

PERFORMANCE / TECHNICAL INFORMATION				
Nominal voltage (V)	220-240	220-240	220-240	220-240
Maximum power output (W)	7,400	7,400	7,400	7,400
Electrical cable length (cm)	110	110	110	110
Rear left FlexInduction zone - power (kW) / dimensions (mm)	-	2.20 / 190x240	2.20 / 200x210	-
Rear left zone - power (kW) / diameter (mm)	1.40 / 145	-	-	1.40 / 145
Rear right FlexInduction zone - power (kW) / dimensions (mm)	2.20 / 200x210	2.20 / 190x240	2.20 / 200x210	2.20 / 200x210
Rear right zone - power (kW) / diameter (mm)	-	-	-	-
Rear centre zone - power (kW) / diameter (mm)	2.20 / 240	-	-	2.20 / 240
Front centre zone - power (kW) / diameter (mm)	-	-	-	-
Front left FlexInduction zone - power (kW) / dimensions (mm)	-	2.20 / 190x240	2.20 / 200x210	-
Front left zone - power (kW) / diameter (mm)	1.80 / 180	-	-	1.80 / 180
Front right FlexInduction zone - power (kW) / dimensions (mm)	2.20 / 200x210	2.20 / 190x240	2.20 / 200x210	2.20 / 200x210
Front right zone - power (kW) / diameter (mm)	-	-	-	-
FlexInduction zone left - power (kW) / dimensions (mm)	-	3.30 / 380x240	3.30 / 400x210	-
FlexInduction zone right - power (kW) / dimensions (mm)	3.30 / 400x210	3.30 / 380x240	3.30 / 400x210	3.30 / 400x210
Extended FlexInduction rear left - power (kW) / dimensions (mm)	-	-	-	-
Extended FlexInduction rear right - power (kW) / dimensions (mm)	-	-	-	-
CombiZone left - power (kW) / dimensions (mm)	-	-	-	-
CombiZone right - power (kW) / dimensions (mm)	-	-	-	-
Rear left zone - with powerBoost (max. kW)	2.20	3.70	3.70	2.20
Rear right zone - with powerBoost (max. kW)	3.70	3.70	3.70	3.70
Rear centre zone - with powerBoost (max. kW)	3.70	-	-	3.70
Front centre zone - with powerBoost (max. kW)	-	-	-	-
Front left zone - with powerBoost (max. kW)	3.10	3.70	3.70	3.10
Front right zone - with powerBoost (max. kW)	3.70	3.70	3.70	3.70

● = Yes - - No

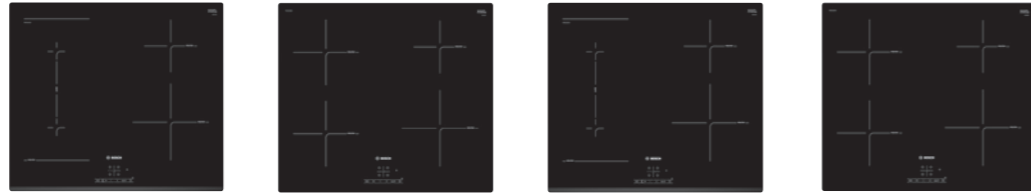
FLEX INDUCTION	INDUCTION	INDUCTION	INDUCTION	INDUCTION
SERIE 6	SERIE 6	SERIE 6	SERIE 6	SERIE 4
PXE651FC1E	PVW851FB5E	PIV851FB1E	PVQ651FC5E	PIE651BB1E
592	802	802	592	592
Front	Front	Front	Front	Front
DirectSelect	DirectSelect	DirectSelect	DirectSelect	TouchSelect
Bevel Front & Sides	Bevel Front & Sides	Bevel Front & Sides	Bevel Front & Sides	Bevel Front & Sides

4	5	5	4	4
-	-	-	-	-
-	-	-	-	-
-	-	-	-	-
-	-	-	-	-
4 settings	-	-	4 settings	-
1	-	-	-	-
-	-	-	-	-
-	1	-	1	-
●	●	●	●	●
-	-	-	-	-
-	2 stages	-	2 stages	-
-	-	-	-	-
●	●	●	●	-
-	-	-	-	-

220-240	220-240	220-240	220-240	220-240
7,400	7,400	7,400	6,800	7,400
110	110	110	110	110
2.20 / 200x240	-	-	-	-
-	1.40 / 145	1.40 / 145	2.20 / 210x190	1.80 / 180
-	-	-	-	-
1.40 / 145	2.20 / 210x190	1.40 / 145	2.20 / 210x190	1.40 / 145
-	2.20 / 240	2.20 / 240	-	-
-	-	-	-	-
2.20 / 200x240	-	-	-	-
-	1.80 / 180	1.80 / 180	2.20 / 210x190	1.80 / 180
-	-	-	-	-
2.20 / 210	2.20 / 210x190	2.20 / 210	2.20 / 210x190	2.20 / 210
3.30 / 400x240	-	-	-	-
-	-	-	-	-
-	-	-	-	-
-	3.60 / 380x210	-	3.60 / 380x210	-
-	3.60 / 380x210	-	-	-
3.70	2.20	2.20	3.70	3.10
2.20	3.70	2.20	2.20	2.20
-	3.70	3.70	-	-
-	-	-	-	-
3.70	3.10	3.10	3.70	3.10
3.70	3.70	3.70	3.10	3.70

● = Yes - - No

Induction hobs



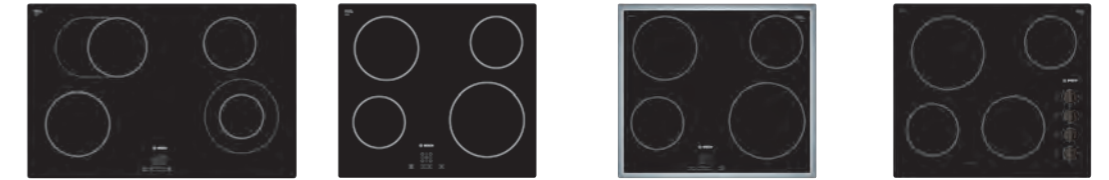
TYPE	INDUCTION	INDUCTION	INDUCTION	INDUCTION
DESIGN FAMILY	SERIE 4	SERIE 4	SERIE 4	SERIE 4
MODEL NUMBER	PWP631BB1E	PUE611BB1E	PWP631BF1B	PUE611BF1B
Width in mm	592	592	592	592
Control position	Front	Front	Front	Front
Control type	TouchSelect	TouchSelect	TouchSelect	TouchSelect
Style	Bevel front	Frameless	Bevel front	Frameless

KEY FEATURES				
Number of individual zones	4	4	4	4
HomeConnect	-	-	-	-
HoodControl	-	-	-	-
5" Full Touch colour display with Dish Categories	-	-	-	-
PerfectCook temperature sensor ready	-	-	-	-
PerfectFry Sensor settings	-	-	-	-
Number of FlexInduction zones	-	-	-	-
Extended FlexInduction Zone	-	-	-	-
Number of CombiZones	1	-	1	-
PowerBoost	●	●	●	●
PanBoost	-	-	-	-
MoveMode	-	-	-	-
Automatic setting transfer	-	-	-	-
Energy Consumption Display	-	-	-	-
Plug&Play with GB Plug	-	-	●	●

PERFORMANCE / TECHNICAL INFORMATION				
Nominal voltage (V)	220-240	220-240	220-240	220-240
Maximum power output (W)	4,600	4,600	3,700	3,700
Electrical cable length (cm)	110	110	110	110
Rear left FlexInduction zone - power (kW) / dimensions (mm)	-	-	-	-
Rear left zone - power (kW) / diameter (mm)	1.80 / 180	1.80 / 180	1.80 / 180	1.80 / 180
Rear right FlexInduction zone - power (kW) / dimensions (mm)	-	-	-	-
Rear right zone - power (kW) / diameter (mm)	1.40 / 145	1.40 / 145	1.40 / 145	1.40 / 145
Rear centre zone - power (kW) / diameter (mm)	-	-	-	-
Front centre zone - power (kW) / diameter (mm)	-	-	-	-
Front left FlexInduction zone - power (kW) / dimensions (mm)	-	-	-	-
Front left zone - power (kW) / diameter (mm)	1.80 / 180	1.80 / 180	1.80 / 180	1.80 / 180
Front right FlexInduction zone - power (kW) / dimensions (mm)	-	-	-	-
Front right zone - power (kW) / diameter (mm)	2.20 / 210	2.20 / 210	2.20 / 210	2.20 / 210
FlexInduction zone left - power (kW) / dimensions (mm)	-	-	-	-
FlexInduction zone right - power (kW) / dimensions (mm)	-	-	-	-
Extended FlexInduction rear left - power (kW) / dimensions (mm)	-	-	-	-
Extended FlexInduction rear right - power (kW) / dimensions (mm)	-	-	-	-
CombiZone left - power (kW) / dimensions (mm)	3.60 / 388x180	-	3.60 / 388x180	-
CombiZone right - power (kW) / dimensions (mm)	-	-	-	-
Rear left zone - with powerBoost (max. kW)	3.10	3.10	3.10	3.10
Rear right zone - with powerBoost (max. kW)	2.20	2.20	2.20	2.20
Rear centre zone - with powerBoost (max. kW)	-	-	-	-
Front centre zone - with powerBoost (max. kW)	-	-	-	-
Front left zone - with powerBoost (max. kW)	3.10	3.10	3.10	3.10
Front right zone - with powerBoost (max. kW)	3.70	3.70	3.70	3.70

● = Yes - = No

Ceramic hobs



TYPE	CERAMIC	CERAMIC	CERAMIC	CERAMIC
DESIGN FAMILY	SERIE 4	SERIE 4	SERIE 4	SERIE 2
MODEL NUMBER	PKN811D17E	PKE611D17E	PKE645B17E	PKE611CA1E
Width in mm	802mm	592mm	583mm	592mm
Control position	Front	Front	Front	Side
Control type	TouchControl	Touch Control	Touch Control	Control Dials
Style	Frameless	Frameless	S/Steel Trim	Frameless

KEY FEATURES				
Number of individual zones	4	4	4	4
No. Of Dual Zones	2	-	-	-
No. Of Extendable Zones	1	-	-	-
PowerBoost	●	-	-	-
PanBoost	●	-	-	-
Power levels	17	17	17	9
Digital display	●	●	●	-
Timer with automatic switch off for each zone	●	●	●	-
Keep warm function	●	-	-	-
Wipe protection function	●	-	-	-

PERFORMANCE / TECHNICAL INFORMATION				
Main on/off switch	●	●	●	-
Two stage residual heat indicators	●	●	●	-
Safety lock	●	●	●	-
Timed safety switch off	●	●	●	-

PERFORMANCE / TECHNICAL INFORMATION				
Nominal voltage (V)	220-240	220-240	220-240	220-240
Maximum power output (W)	9300	6600	6600	6600
Electrical cable length (cm)	1.1	1.1	1.1	1.1
GB plug	-	-	-	-
Rear left zone - power (kW) / diameter (mm)	1.20 / 145	2.0 / 180	2.0 / 180	2.2 / 210
Rear right zone - power (kW) / diameter (mm)	-	1.2 / 145	1.2 / 145	1.2 / 145
Rear centre zone - power (kW) / diameter (mm)	1.7-2.40 / 230	-	-	-
Front centre zone - power (kW) / diameter (mm)	-	-	-	-
Front left zone - power (kW) / diameter (mm)	0.8-2.10 / 210	1.2 / 145	1.2 / 145	1.2 / 145
Front right zone - power (kW) / diameter (mm)	1.8-2.60 / 265	2.2 / 210	2.2 / 210	2.0 / 180
Rear left zone - with powerBoost (max. kW)	-	-	-	-
Rear right zone - with powerBoost (max. kW)	-	-	-	-
Rear centre zone - with powerBoost (max. kW)	3.40	-	-	-
Front centre zone - with powerBoost (max. kW)	-	-	-	-
Front left zone - with powerBoost (max. kW)	-	-	-	-
Front right zone - with powerBoost (max. kW)	2.60	-	-	-

● = Yes - = No

Introducing the Bosch gas hob range.

Welcome to intuitive cooking. The advanced technology built into our hobs makes cooking on gas simple and precise. Understanding how you cook means we've been able to design a FlameSelect feature that lets you fry, stew, steam and boil with confidence – without constantly checking the flame.



Model shown: PPS9A6B90

Serie 8 +++

Our **Serie 8** range of gas hobs combines convenience and truly elegant design with ultimate cooking control, meaning a truly professional performance in the kitchen.

Serie 6 ++

Expect excellent operation and timeless designs with our **Serie 6** range of hobs. You'll get premium engineering and materials so that you can always cook something a little bit special.

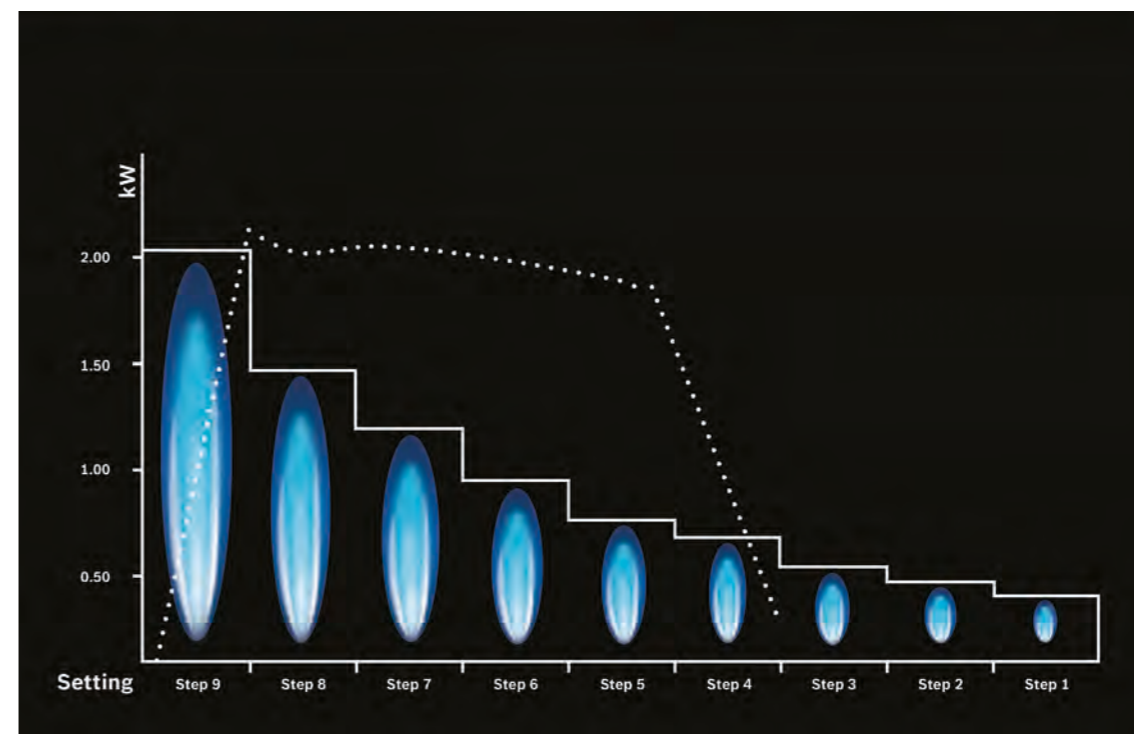
Serie 4 +

Featuring a range of gas hobs that are convenient and simple to operate, our **Serie 4** range maintains classic design and style.



Gas without the guesswork.

The gas cooktops with FlameSelect are equipped with nine precisely defined power levels which let you adjust the required heat easily and reliably. For simply perfect cooking results.



..... Standard gas hob valve power output.
 _____ FlameSelect valve power output.

FlameSelect.

We're taking the guesswork out of using a gas hob. Our innovative StepValve technology regulates the gas output precisely, so you're able to choose the size of flame. With an easy-to-use setting, all you need to do is decide which of the 9 power settings you want. At last, FlameSelect gives you the confidence to cook on gas without leaning down to check it.

Flame size based on gas setting and energy consumption



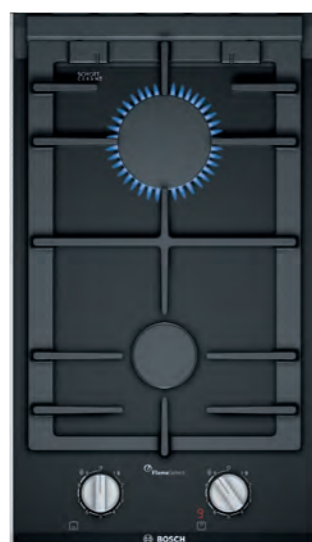
Design match

If you want a selection of cooking options within your kitchen, this can be realised with a combination of our worktop cooking appliances. You can select everything from our great range of Induction, Ceramic or Gas hobs and then combine with one our range of Induction, Ceramic or Gas Domino hobs.

Gas Domino Hobs.



PRA3A6D70



PRB3A6D70

Induction Domino Hob.



PIE651BB1E

Ceramic Domino Hob.



PKF375FP1E

These hob appliances can be arranged side-by-side to create a larger cooking surface area, or positioned on their own to create a separate cooking space. Ideal for smaller kitchens that do not have the space for large hobs.

TIP: Ensure your extractor hood is the same width as the worktop appliance you choose.



A touch of the Orient.

Powerful, dual ring wok burners are perfect for oriental cooking. They deliver a boost both in power and speed, but can also be used very effectively at lower settings when required.



Smart design

Square design pan supports don't just look good, but provide more stability for pots and pans. Cleverly designed to fit together, they are separate pieces, which make them easy to handle and clean. The elegant tempered glass base allows for a choice of surface mounting for quick and easy installation, or flush mounting.

Gas hobs

Serie 6



PPS9A6B90



FlameSelect: A precise adjustment of the flame in nine defined levels.

Wok burner: Powerful cooking at up to 4 kW.

Standard and semi-flush built-in option: Choose between flush or surface mounted installation.

Tempered-glass surface: Elegant design and easy cleaning.

Continuous cast-iron pan support: for high firmness and stability of cookware.



TYPE	GAS
DESIGN FAMILY	SERIE 6
STAINLESS STEEL/STAINLESS STEEL TRIM	-
BLACK/PREMIUM BLACK	PPS9A6B90
WHITE/PREMIUM WHITE	-
Width (mm)	915
Control position	Front
KEY FEATURES	
FlameSelect power controls	●
Digital power level display	-
Number of dual circuit wok style burners	1
High power (5.0kW+) wok burner	-
Dual control wok burner	-
"Diamond" shape burner layout	-
Hob surface type	Tempered glass
FEATURES	
Number of cooking zones	5
Individual power levels	9
Variable power levels	-
Ignition via control dials	●
Flame failure safety device	●
Cast iron pan supports (number)	3
Cast iron finish pan supports (number)	-
Enamelled steel pan supports (number)	-
Two piece burners	●
Comfort Profile	-
Can be combined with other models with Comfort Profile	-
Installation flush with work top possible	●
PERFORMANCE / TECHNICAL INFORMATION	
Nominal voltage (V)	220-240
Maximum gas power output load (W)	11500
Total connected electrical load (W)	1.0
Cable length (in cm)	150
GB plug	-
Left burner power (kW)	4.00
Front left burner power (kW)	-
Back left burner power (kW)	-
Centre/Centre front burner power (kW)	1.00
Centre back burner power (kW)	1.75
Front right burner power (kW)	1.75
Back right burner power (kW)	3.00
Right burner power (kW)	-
Pre-set for natural gas	●
CE Marked	●
STANDARD ACCESSORY	
LPG jets	28-30/37mbar
OPTIONAL ACCESSORY	
Connecting Strip to link to other Comfort Profile models	-

● = Yes - = No

All models comply with COMMISSION REGULATION (EC) No 1275/2008 with regard to ecodesign requirements for standby and off mode electric power consumption.

Gas hobs



TYPE	GAS	GAS	GAS
DESIGN FAMILY	SERIE 6	SERIE 6	SERIE 6
STAINLESS STEEL/STAINLESS STEEL TRIM	-	-	PCR9A5B90
BLACK/PREMIUM BLACK	PPQ7A6B90	PPP6A6B90	-
WHITE/PREMIUM WHITE	-	-	-
Width (mm)	752	590	915
Control position	Front	Front	Front
KEY FEATURES			
FlameSelect power controls	●	●	●
Digital power level display	-	-	-
Number of dual circuit wok style burners	1	-	1
High power (5.0kW+) wok burner	-	-	●
Dual control wok burner	-	-	●
Diamond shape burner layout	-	-	-
Hob surface type	Tempered glass	Tempered glass	Metal
FEATURES			
Number of cooking zones	5	4	5
Individual power levels	9	9	9
Variable power levels	-	-	-
Ignition via control dials	●	●	●
Flame failure safety device	●	●	●
Cast iron pan supports (number)	5	4	3
Cast iron finish pan supports (number)	-	-	-
Enamelled steel pan supports (number)	-	-	-
Two piece burners	●	●	●
Comfort Profile	-	-	-
Can be combined with other models with Comfort Profile	-	-	-
Installation flush with work top possible	●	●	-
PERFORMANCE / TECHNICAL INFORMATION			
Nominal voltage (V)	220-240	220-240	220-240
Maximum gas power output load (W)	11500	7500	12500
Total connected electrical load (W)	1.0	1.0	1.0
Cable length (cm)	100	150	100
GB plug	-	-	-
Left burner power (kW)	-	-	-
Front left burner power (kW)	1.00	1.75	1.00
Back left burner power (kW)	1.75	1.75	1.75
Centre/Centre front burner power (kW)	4.00	-	5.00
Centre back burner power (kW)	-	-	-
Front right burner power (kW)	1.75	1.00	1.75
Back right burner power (kW)	3.00	3.00	3.00
Right burner power (kW)	-	-	-
Pre-set for natural gas	●	●	●
CE Marked	●	●	●
STANDARD ACCESSORY			
LPG jets	28-30/37mbar	28-30/37mbar	28-30/37mbar
OPTIONAL ACCESSORY			
Connecting Strip to link to other Comfort Profile models	-	-	-

● = Yes - = No

GAS	GAS	GAS	GAS	GAS
SERIE 6	SERIE 6	SERIE 6	SERIE 6	SERIE 4
PCS7A5B90	PCQ7A5B90	PCI6A5B90	PCH6A5B90	PCP6A5B90
-	-	-	-	PCP6A6B90
-	-	-	-	-
750	750	582	582	582
Front	Front	Front	Front	Front
KEY FEATURES				
●	●	●	●	●
-	-	-	-	-
1	1	1	1	-
●	-	-	-	-
●	-	-	-	-
-	-	●	-	-
Metal	Metal	Metal	Metal	Metal
FEATURES				
5	5	4	4	4
9	9	9	9	9
-	-	-	-	-
●	●	●	●	●
●	●	●	●	●
3	3	2	2	2
-	-	-	-	-
-	-	-	-	-
●	●	●	●	●
-	-	-	-	-
-	-	-	-	-
-	-	-	-	-
PERFORMANCE / TECHNICAL INFORMATION				
220-240	220-240	220-240	220-240	220-240
12500	11500	9750	8000	7500
1.0	1.0	1.0	1.0	1.0
100	100	100	100	100
-	-	-	-	-
5.00	-	4.00	-	-
-	1.00	-	1.75	1.75
-	1.75	-	1.75	1.75
1.00	4.00	1.00	-	-
1.75	-	1.75	-	-
1.75	1.75	-	1.00	1.00
3.00	3.00	-	3.30	3.00
-	-	3.00	-	-
●	●	●	●	●
●	●	●	●	●
STANDARD ACCESSORY				
28-30/37mbar	28-30/37mbar	28-30/37mbar	28-30/37mbar	28-30/37mbar
OPTIONAL ACCESSORY				
-	-	-	-	-

● = Yes - = No

All models comply with COMMISSION REGULATION (EC) No 1275/2008 with regard to ecodesign requirements for standby and off mode electric power consumption.



TYPE	GAS	GAS	GAS	GAS	GAS
DESIGN FAMILY	SERIE 4	SERIE 4	SERIE 4	SERIE 4	SERIE 2
STAINLESS STEEL/STAINLESS STEEL TRIM	PGQ7B5B90	PGP6B5B60	-	PGP6B5B90	PBP6B5B60
BLACK/PREMIUM BLACK	-	-	PNP6B6B90	-	PBP6B6B60
WHITE/PREMIUM WHITE	-	-	-	-	PBP6B2B60
Width (mm)	750	582	590	582	580
Control position	Front	Front	Front	Front	Right Side
KEY FEATURES					
FlameSelect power controls	-	-	-	-	-
Digital power level display	-	-	-	-	-
Number of dual circuit wok style burners	1	-	-	-	-
High power (5.0kW+) wok burner	-	-	-	-	-
Dual control wok burner	-	-	-	-	-
Diamond shape burner layout	-	-	-	-	-
Hob surface type	Metal	Metal	Tempered glass	Metal	Metal
FEATURES					
Number of cooking zones	5	4	4	4	4
Individual power levels	-	-	-	-	-
Variable power levels	●	●	●	●	●
Ignition via control dials	●	●	●	●	●
Flame failure safety device	●	●	●	●	●
Cast iron pan supports (number)	3	-	4	2	-
Cast iron finish pan supports (number)	-	2	-	-	2
Enamelled steel pan supports (number)	-	-	-	-	-
Two piece burners	●	●	●	●	●
Comfort Profile	-	-	-	-	-
Can be combined with other models with Comfort Profile	-	-	-	-	-
Installation flush with work top possible	-	-	-	-	-
PERFORMANCE / TECHNICAL INFORMATION					
Nominal voltage (V)	220-240	220-240	220-240	220-240	220-240
Maximum gas power output load (W)	10800	7500	7500	7500	7400
Total connected electrical load (W)	1.0	1.0	1.0	1.0	1.0
Cable length (cm)	150	100	100	100	100
GB plug	-	-	-	-	-
Left burner power (kW)	-	-	-	-	-
Front left burner power (kW)	1.00	1.75	1.75	1.75	3.00
Back left burner power (kW)	1.75	1.75	1.75	1.75	1.70
Centre/Centre front burner power (kW)	3.30	-	-	-	-
Centre back burner power (kW)	-	-	-	-	-
Front right burner power (kW)	1.75	1.00	1.00	1.00	1.00
Back right burner power (kW)	3.00	3.00	3.00	3.00	1.70
Right burner power (kW)	-	-	-	-	-
Pre-set for natural gas	●	●	●	●	●
CE Marked	●	●	●	●	●
STANDARD ACCESSORY					
LPG jets	28-30/37mbar	28-30/37mbar	28-30/37mbar	28-30/37mbar	28-30/37mbar
OPTIONAL ACCESSORY					
Connecting Strip to link to other Comfort Profile models	-	-	-	-	-

● = Yes - = No



TYPE	GAS	GAS
DESIGN FAMILY	SERIE 8	SERIE 8
MODEL NUMBER	PRA3A6D70	PRB3A6D70
Width (mm)	306	306
Control position	Front	Front
Control type	-	-
Style	-	-
KEY FEATURES		
Number of individual zones	●	●
HomeConnect	●	●
HoodControl	●	●
5" Full Touch colour display	1	-
Dish categories	●	-
Wireless temperature sensor	●	-
Wireless Sensor settings	-	-
PerfectFry Sensor settings	-	-
Number of FlexInduction zones	-	-
Extended FlexInduction Zone	-	-
Number of CombiZones	-	-
PowerBoost	1	2
PanBoost	9	9
MoveMode	-	-
Automatic setting transfer	●	●
Energy Consumption Display	●	●
Plug&Play with GB Plug	1 x DW safe	1 x DW safe
PERFORMANCE / TECHNICAL INFORMATION		
Nominal voltage (V)	220-240	220-240
Maximum power output (W)	6000	4700
Electrical cable length (cm)	1.0	1.0
Rear left FlexInduction zone - power (kW) / dimensions (mm)	100	100
Rear right zone - power (kW) / diameter (mm)	-	-
Rear left zone - power (kW) / diameter (mm)	-	-
Rear right FlexInduction zone - power (kW) / dimensions (mm)	6.00	1.90
Rear centre zone - power (kW) / diameter (mm)	-	-
Rear right zone - power (kW) / diameter (mm)	-	-
Front centre zone - power (kW) / diameter (mm)	2.20 / 210	2.80
Front left zone - power (kW) / diameter (mm)	1.40 / 145	-
Front right zone - power (kW) / diameter (mm)	-	-
Front left zone - with powerBoost (max. kW)	-	-
Front right zone - with powerBoost (max. kW)	-	-
Front centre zone - with powerBoost (max. kW)	-	-
Front left zone - with powerBoost (max. kW)	-	-
Front right zone - with powerBoost (max. kW)	-	-
STANDARD ACCESSORY		
LPG jets	28-30/37mbar	28-30/37mbar
OPTIONAL ACCESSORY		
Connecting Strip to link to other Comfort Profile models	-	-

● = Yes - = No

TYPE	INDUCTION
DESIGN FAMILY	SERIE 6
MODEL NUMBER	PIB375FB1E
Width in mm	306
Control position	Front
Control type	DirectSelect
Style	Comfort Profile
KEY FEATURES	
Number of individual zones	2
HomeConnect	-
HoodControl	-
5" Full Touch colour display	-
Dish categories	-
Wireless temperature sensor	-
Wireless Sensor settings	-
PerfectFry Sensor settings	-
Number of FlexInduction zones	-
Extended FlexInduction Zone	-
Number of CombiZones	-
PowerBoost	●
PanBoost	-
MoveMode	-
Automatic setting transfer	-
Energy Consumption Display	●
Plug&Play with GB Plug	-
PERFORMANCE / TECHNICAL INFORMATION	
Nominal voltage (V)	220-240
Maximum power output (W)	3500
Electrical cable length (cm)	110
GB plug	-
Rear left zone - power (kW) / diameter (mm)	-
Rear right zone - power (kW) / diameter (mm)	-
Rear centre zone - power (kW) / diameter (mm)	1.2 / 145
Front centre zone - power (kW) / diameter (mm)	2.2 / 210
Front left zone - power (kW) / diameter (mm)	-
Front right zone - power (kW) / diameter (mm)	-
Rear left zone - with powerBoost (max. kW)	-
Rear right zone - with powerBoost (max. kW)	-
Front centre zone - with powerBoost (max. kW)	-
Front left zone - with powerBoost (max. kW)	-
Front right zone - with powerBoost (max. kW)	-
STANDARD ACCESSORY	
LPG jets	28-30/37mbar
OPTIONAL ACCESSORY	
Connecting Strip to link to other Comfort Profile models	-

TYPE	CERAMIC
DESIGN FAMILY	SERIE 4
MODEL NUMBER	PKF375FP1E
Width in mm	306mm
Control position	Front
Control type	DirectSelect
Style	Comfort Profile
KEY FEATURES	
Number of individual zones	2
No. Of Dual Zones	-
No. Of Extendable Zones	-
PanBoost	-
PowerBoost	-
Digital display	●
Timer with automatic switch off for each zone	●
Keep warm function	-
Wipe protection function	-
PERFORMANCE / TECHNICAL INFORMATION	
Main on/off switch	●
Two stage residual heat indicators	●
Safety lock	●
Timed safety switch off	●
PERFORMANCE / TECHNICAL INFORMATION	
Nominal voltage (V)	220-240
Maximum power output (W)	3500
Electrical cable length (cm)	1.1
GB plug	-
Rear left zone - power (kW) / diameter (mm)	-
Rear right zone - power (kW) / diameter (mm)	-
Rear centre zone - power (kW) / diameter (mm)	1.2 / 145
Front centre zone - power (kW) / diameter (mm)	2.2 / 210
Front left zone - power (kW) / diameter (mm)	-
Front right zone - power (kW) / diameter (mm)	-
Rear left zone - with powerBoost (max. kW)	-
Rear right zone - with powerBoost (max. kW)	-
Front centre zone - with powerBoost (max. kW)	-
Front left zone - with powerBoost (max. kW)	-
Front right zone - with powerBoost (max. kW)	-
STANDARD ACCESSORY	
LPG jets	28-30/37mbar
OPTIONAL ACCESSORY	
Connecting Strip to link to other Comfort Profile models	-

All models comply with COMMISSION REGULATION (EC) No 1275/2008 with regard to ecodesign requirements for standby and off mode electric power consumption.

Introducing the Bosch hood range.

Offering a blend of function and form, Bosch hoods deliver quiet, effective extraction that makes the kitchen and home a more pleasant environment. Make a bold design statement, or complement a more minimalist look.

To help you choose the right hood, we have divided them into four ranges.

Serie 8 +++

With our **Serie 8** range of hoods experience automatic extraction rate control with **PerfectAir** sensor technology. Our hoods offer high quality craftsmanship combined with cutting-edge technologies to make the kitchen a more pleasant environment.

Serie 6 ++

Ultimate convenience and tasteful design make cooker hoods within our **Serie 6** range an asset to any stylish kitchen. Electronic controls give you ease of use. Experience maximum operating convenience with **DirectSelect** touch controls from Bosch.

Serie 4 +

As the centre of family life, the kitchen needs to have a comfortable atmosphere free of cooking steam and disruptive noise. Our **Serie 4** range of cooker hoods are extremely quiet, easy to operate and impressive with their modern design.

Serie 2

With our **Serie 2** range of hoods, you can be assured of high quality design and features that make your life easier in the kitchen, such as easy-to-use controls and dishwasher proof metal grease filters for greater convenience.

Model shown: DWK98PR60B

Hood functions explained.

(Check model for available functions.)



PerfectAir

A sensor constantly detects the levels of odours in the air and adjusts the power level – from light use to intensive – to ensure your kitchen air is always clean and fresh.



Hob Hood Control

Control your hood via your hob with Hob Hood Control on selected Bosch hobs.



CleanAir Plus Filters

CleanAir Plus recirculation filters for maximum air purity at minimum volume. These filters can increase the odour absorption of the cooker hood by as much as 95% and remove over 99% of pollen in the air at the same time.



EcoSilence Drive

Our EcoSilence Drive brushless friction-free motor is durable and designed to last longer. The motor is highly efficient and offers exceptional performance while saving you energy.



TouchControl

Set the exact power level with a single touch thanks to TouchControl. It's easy to operate: simply select the right power level or turn on the lights and away you go.



Silence

Your guests are not alone in appreciating a relaxed cook. So you can chat with your guests while cooking.



Easy mounting

Easy to install appliances give you another reason to choose a Bosch Hood.

Filter Saturation Indicators

Out of sight, out of mind: When it comes to the filters in our hoods we often forget to check if they need to be changed. With Home Connect you can now check the state of your hood's filters, and receive valuable maintenance information. Simply log onto the app* to check the carbon and grease saturation of your filters and whether a replacement is necessary.

*Selected models only

Whichever model you choose from our range, you'll find lots of reasons to love your Bosch hood.

Why shout when you can whisper?

Our ventilation solutions go through advanced sound frequency testing to make them as quiet as possible. Our brushless **EcoSilence Drive™** motors also help to keep sound levels low while delivering powerful performance*. If this wasn't enough the **PerfectAir Sensor** can automatically adjust the power level, and sound level along with it, to the optimum point for performance and a pleasurable cooking experience**.

*Sound power measured according to EN60704-3 on largest pipe diameter. **Noise level (sound power) based on dB(A) re 1 pW

EcoSilence Drive™

Our hood ranges incorporate energy efficient lighting that can be adjusted for bright illumination to work under, or lower illumination for ambient mood lighting in the kitchen thanks to the dimmer function. In this light, even your electricity bill looks good. Our **EcoSilence Drive™** brushless friction-free motor and energy saving LED lights reduce energy consumption by up to 80% compared to a similar five-year-old model, without compromising results.



Hob Hood Control.

Control your hood via your hob with Hob Hood Control on selected Bosch hobs. Both the hob on the hood are equipped with a Wi-Fi module, enabling them to directly connect to each other securely. As soon as your hob is turned on, your hood is also switched on and thanks to the **PerfectAir** sensor, it starts extracting as soon as you start cooking. When you're done cooking, the hood automatically switches off after a brief run-on time, so you can be sure that unpleasant kitchen odours really do disappear. The hood automatically adjusts the power level based on the smells and steam detected, giving you optimised performance for extraction and noise. If you want to control the hood directly, just activate manual mode on the hob controls with the touch of a finger. In addition to the extraction rate, you can also control the lights of the hood via the hob.

Model shown: DWK98PR60B

Making **life easy** through innovative technologies

A hood for every kitchen



Wall-mounted

Wall-mounted cooker hoods are generally mounted above the hob, on the wall between the wall units. This type of cooker hood fits beautifully into the line of your kitchen units whilst providing effective ventilation that you'll barely see – but you'll notice the amazing effect.



Box Chimney
Chimney hoods in a box design perfectly complement your hob installation. Features **Bosch lifeclick** which can be matched with other Bosch appliances in your kitchen.



Glass Chimney
Curved and flat chimney hoods are great for a traditional and stylish kitchen.



Pyramid Chimney
Pyramid hoods impress with classic lines and also the refined contours of the contemporary Slim Pyramid designs.



Flat Slimline
This slim design is perfect for keeping an eye on your pots and pans with a stylish control wheel that matches with Bosch Serie 8 ovens.



Angled Glass
The angled design doesn't restrict headroom so you can keep an eye on your cooking with ease.

Integrated



Canopy
Bosch canopy cooker hoods are powerful ventilation systems that can be integrated into the cabinets above your hob. The hood provides excellent extraction of steam and cooking smells, as well as providing additional lighting for your cooking surfaces.



Telescopic
Telescopic cooker hoods are installed into a wall unit. To operate them, the flat section is pulled out, enlarging the extraction surface. Selected models have easy installation systems and accessories are available, as well as a lowering frame to make the hood invisible when not in use.



Integrated
Integrated cooker hoods have a furniture panel mounted to them installing seamlessly into the kitchen. For use this front panel is pulled forward at an angle, only then making the hood visible.



Built Under
Great performance in a tiny space. Our built-under extractors are housed underneath the kitchen unit and can always be seen.

Island

Our Island cooker hoods have been specially developed for use over your kitchen island and are freely suspended from the ceiling above it. Thanks to the wide choice of classic designs and different sizes, island cooker hoods offer the ideal solution for every kitchen and every requirement.



Chimney
Our chimney hoods use a box design to perfectly complement your island hob installation.



Ceiling



Ceiling
A ceiling cooker hood is installed directly into a load-bearing kitchen ceiling. It not only ensures clean air, it also provides excellent lighting for your hob and all the headroom you need.

Worktop



DownDraft
The DownDraft hood is concealed inside your worktop, next to your existing induction hob. It rises up smoothly when needed and includes powerful LED lights to illuminate your cooking.



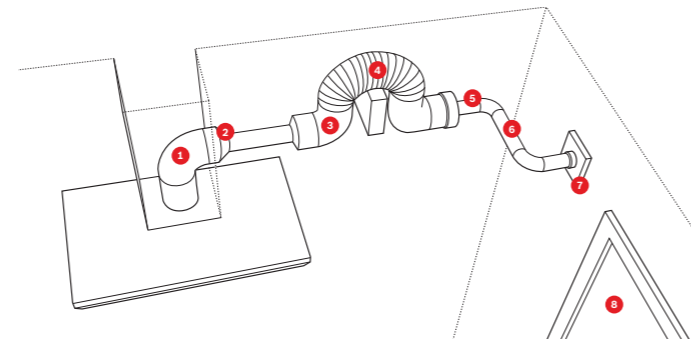
Ducted or recirculation mode?

Ducted extraction

Ducting out is the most effective method of extraction if the hood can be sited on an outside wall, or an outside wall can be reached via ducting. The main difference between ducted and recirculation cooker hoods is that ducted systems can extract steam and odours, as well as grease. All our extractors are now standardised to a 150mm diameter outlet for easier installation. Use of 120/125mm diameter ducting is also possible, but will result in reduced air flow and increased noise. Use of 100mm diameter ducting is not recommended.

The following points should be observed for optimum ducted extraction results:

1. Ensure any pipe elbow bends are at least 30cm from the hood ducting opening.
2. Avoid reducing the diameter or area of the ducting.
3. Use wide-angled pipe elbows, but keep the number used to a minimum.
4. Only install pipes with smooth, even inner surfaces. If a flexible hose has to be used, ensure it is pulled tight to smooth out the ridges before fixing.
5. Avoid reducing the diameter or area of the ducting.
6. Use ducting pipes with a diameter of at least 120mm, but ideally 150mm.
7. Keep piping to a minimum – use the most direct route to external outlet.
8. Make sure that there is an adequate supply of fresh air to replace the air ducted out of the kitchen i.e. windows that can be opened, doors to adjacent rooms, air bricks.



Problems with installation may occur if points 1 to 8 are not observed.

Tips and hints

1. Calculate the extraction capacity needed.
2. Choose a hood with at least the same width of your hob.
3. Ensure efficient pipe ducting installation.
4. As a guide the hood should be installed at a minimum of 65cm above a gas hob or 55cm above an electric hob.
5. To effectively remove cooking odours from your kitchen, switch the hood on 5-10 minutes prior to cooking.
6. Leave the hood to run at a low setting after cooking has finished for 5-10 minutes to remove any lingering odours. Or simply select the Automatic After Running function, which enables the hood to continue running at a low speed for 10 minutes before automatically turning itself off (available on selected models).
7. Regularly clean metal grease filters to ensure optimum extraction performance. All of our metal grease filters, brushed steel filters and rim ventilation filters are dishwasher-proof.
8. Choosing the correct extractor. As a guideline, the air in the room should be changed 6-12 times per hour. Calculate the floor area in square metres and multiply by the height of the room in metres. Then divide the maximum extraction rate of your chosen hood by the figure calculated above. The resulting figure should be at least 7, but preferably as close to 12 as possible.

Example

Kitchen (H x W x D) metres 2.1 x 4.5 x 4.2 = 39.7m³.
Assume a maximum of 12 air changes per hour – multiply 39.7m³ by 12 = 476m³/h. Choose a hood capable of extracting at least this amount of air per hour – e.g. DWB96DM50B (max ducted extraction rate intensive 580m³ per hour).

Recirculation kit

Cooker hoods with recirculation are energy-efficient and much easier to install. Air is passed through the metal filter to extract the grease and then through a special charcoal filter, which removes odours and in high performance **CleanAir Plus filters** also removes over 99% of pollen. The purified air is then returned to the room. As no ducting openings are necessary, this is an energy-efficient method of extraction as no energy can escape (i.e. cool air in the summer or warm air in the winter), making it a good choice for low energy houses. The kit contains all you need to set the hood up for recirculation and installation is relatively easy. Check each model for details on the appropriate recirculation kit accessory.



Explore more at www.bosch-home.co.uk

A breath of fresh air in hood design.

Now your cooker hood can automatically control the air in your kitchen. Intuitive sensor technology from Bosch now makes cooking easier than ever.

PerfectAir

When you're busy cooking, the last thing you need to think about is adjusting your hood to clear any steam in the kitchen.

The **PerfectAir** sensor continually detects the level of odours in the air during the cooking process and automatically adjusts the power level to ensure optimum extraction performance.

So there is no longer any need to manually adjust the power levels. This means that you can concentrate on your cooking rather than worrying about whether your hood is on the right setting.



Model shown: DWK98PR60B (hood) PXY875DE3E (hob)

Making **life easy** through innovative technologies

Ceiling hoods

Serie 6 ++

DRC97AQ50B



Home Connect



The ceiling cooker hood is installed directly into a load-bearing kitchen ceiling. It not only ensures clean air, it also provides excellent lighting for your hob and all the headroom you need.

HOOD TYPE	CEILING
DESIGN FAMILY	SERIE 6
MODEL	DRC97AQ50B
Colour	Stainless Steel
KEY FEATURES	
PerfectAir Sensor	-
Home Connect	●
Hob Hood Control	●
EcoSilence Drive Motor	●
Intensive setting / Automatic intensive revert ¹	●/●
Filter saturation indicators	●
ADDITIONAL PROGRAMMES / FUNCTIONS	
Type of control	Remote control
Power levels	3 + 2 intensive
Electronic power level display	-
Lighting	4 x LED lights
Softlight with dimmer function	●
Automatic after running (minutes)	10
Number of metal grease filter cassettes	2
Suitable for ducted operation / recirculating	●/●
PERFORMANCE / TECHNICAL INFORMATION	
Appliance width (mm)	900
EXTRACTION RATE IN M³/H ⁽²⁻³⁾	
- Ducted / recirculating at power level 1	265 / 200
- Ducted / recirculating at power level 2	335 / 316
- Ducted / recirculating at power level 3	458 / 422
- Ducted / recirculating at power level 4 or intensive level 1	594 / 513
- Ducted / recirculating, intensive setting or intensive level 2	798 / 565
NOISE LEVEL (SOUND POWER) BASED ON DB(A) RE 1 PW ⁽²⁻⁴⁾	
- Ducted / recirculating at power level 1	41 / 46
- Ducted / recirculating at power level 2	47 / 57
- Ducted / recirculating at power level 3	56 / 63
- Ducted / recirculating at power level 4 or intensive level 1	62 / 67
- Ducted / recirculating, intensive setting or intensive level 2	68 / 69
Pipe outlet diameter (mm)	150
Min. distance above an electric hob / gas hob ⁵ (mm)	550 / 650
GB plug	●
Energy Rating	A
OPTIONAL ACCESSORIES ⁶	
CleanAir Plus Recirculating Module (Stainless Steel)	DIZ1JC5C6
CleanAir Plus Recirculating Module (White)	DIZ1JC2C6
Long Life Regenerative Recirculation Module (Stainless Steel)	DIZ0JC5D0
Long Life Regenerative Recirculation Module (White)	DIZ0JC2D0

¹ Power automatically reverts back to normal setting after intensive.
² Air Flow and noise declarations made in line with CECEC Code of Conduct.
³ Measured according to EN61591 on largest pipe diameter.
⁴ Sound power measured according to EN60704-3 on largest pipe diameter.
⁵ From top of pan supports.
⁶ A type of recirculating kit is required if recirculating. Depending on the model, a 'Recirculating odour filter kit' will consist of the following items: Charcoal filter, flexible hose, air duct, fixing components, installation instructions.

HOOD TYPE	CEILING
DESIGN FAMILY	SERIE 6
MODEL	DRR16AQ20
Colour	White
KEY FEATURES	
PerfectAir Sensor	-
Home Connect	●
Hob Hood Control	●
EcoSilence Drive Motor	●
Intensive setting / Automatic intensive revert ¹	●/●
Filter saturation indicators	●
FEATURES	
Type of control	Remote control
Power levels	3 + 2 intensive
Electronic power level display	-
Lighting	4 x LED lights
Softlight with dimmer function	●
Automatic after running (minutes)	10
Number of metal grease filter cassettes	3
Suitable for ducted operation / recirculating	- / ●
PERFORMANCE / TECHNICAL INFORMATION	
Appliance width (mm)	1050
EXTRACTION RATE IN M³/H ⁽²⁻³⁾	
- Ducted / recirculating at power level 1	- / 164
- Ducted / recirculating at power level 2	- / 322
- Ducted / recirculating at power level 3	- / 409
- Ducted / recirculating at power level 4 or intensive level 1	- / 502
- Ducted / recirculating, intensive setting or intensive level 2	- / 580
NOISE LEVEL (SOUND POWER) BASED ON DB(A) RE 1 PW ⁽²⁻⁴⁾	
- Ducted / recirculating at power level 1	- / 43
- Ducted / recirculating at power level 2	- / 62
- Ducted / recirculating at power level 3	- / 68
- Ducted / recirculating at power level 4 or intensive level 1	- / 73
- Ducted / recirculating, intensive setting or intensive level 2	- / 76
Pipe outlet diameter (mm)	-
Min. distance above an electric hob / gas hob ⁵ (mm)	650 / 650
GB plug	-
Energy Rating	-
OPTIONAL ACCESSORIES ⁶	
Recirculating Filter Kit	CleanAir Plus filters included

¹ Power automatically reverts back to normal setting after intensive.
² Air Flow and noise declarations made in line with CECEC Code of Conduct.
³ Measured according to EN61591 on largest pipe diameter.
⁴ Sound power measured according to EN60704-3 on largest pipe diameter.
⁵ From top of pan supports.
⁶ A type of recirculating kit is required if recirculating. Depending on the model, a 'Recirculating odour filter kit' will consist of the following items: Charcoal filter, flexible hose, air duct, fixing components, installation instructions.

Serie 6 +++

DRR16AQ20



Home Connect



The Plug&Play ceiling ventilation: for a simple and space-saving solution, with perfect installation in open plan kitchens.

Hob Hood Control: now you never need to touch the hood again. The fan speed or lights of the hood can be conveniently controlled directly from the hob (with selected Wi-Fi enabled hobs).

Recirculation filters: Recirculation hoods require metal grease filters to filter grease and other solid particles out of the extracted air. To keep these filters operating at maximum efficiency, clean them about once a month either by hand or in the dishwasher.

Downdraft hood

Serie 8 +++

DDD97BM60B



Discover our Downdraft ventilation hood DDD97BM60B that blends seamlessly into our built-in induction hob appliances. Perfect for kitchen islands or minimalist designs. It can be neatly tucked away into your worktop when not in use.

The Downdraft hood provides a flexible ventilation solution for your open plan and island kitchen. With a sleek modern glass design with Bosch Clip, LED light and TouchControls, our remote installation option ensures efficient but quiet odour and steam removal.

HOOD TYPE	DOWNDRAFT
DESIGN FAMILY	SERIE 8
MODEL	DDD97BM60B
Colour	Stainless Steel & Glass
KEY FEATURES	
PerfectAir Sensor	-
Home Connect	-
Hob Hood Control	-
EcoSilence Drive Motor	-
Intensive setting / Automatic intensive revert ¹	●/●
Filter saturation indicators	●
ADDITIONAL PROGRAMMES / FUNCTIONS	
Type of control	Touch control
Power levels	3 + 2 intensive
Electronic power level display	-
Lighting	LED 7W strip
Softlight with dimmer function	-
Automatic after running (minutes)	10
Number of metal grease filter cassettes	2
Suitable for ducted operation / recirculating	●/●
PERFORMANCE / TECHNICAL INFORMATION	
Appliance width (mm)	918
EXTRACTION RATE IN M ³ /H ^(2,3)	
- Ducted / recirculating at power level 1	260 / 230
- Ducted / recirculating at power level 2	428 / 410
- Ducted / recirculating at power level 3	530 / 452
- Ducted / recirculating at power level 4 or intensive level 1	630 / 482
- Ducted / recirculating, intensive setting or intensive level 2	750 / 500
NOISE LEVEL (SOUND POWER) BASED ON DB(A) RE 1 PW ^(2,4)	
- Ducted / recirculating at power level 1	43 / 54
- Ducted / recirculating at power level 2	58 / 70
- Ducted / recirculating at power level 3	62 / 72
- Ducted / recirculating at power level 4 or intensive level 1	66 / 74
- Ducted / recirculating, intensive setting or intensive level 2	67 / 75
Pipe outlet diameter (mm)	150
Min. distance above an electric hob / gas hob ⁵ (mm)	- / -
GB plug	●
Energy Rating	A
OPTIONAL ACCESSORIES ⁶	
Long Life Recirculation Kit (2 year Regenerative)	DSZ9IDOPD
Downdraft remote motor mounting kit	DSZ9IDOMO

¹ Power automatically reverts back to normal setting after intensive.
² Air Flow and noise declarations made in line with CECEC Code of Conduct.
³ Measured according to EN61591 on largest pipe diameter.
⁴ Sound power measured according to EN60704-3 on largest pipe diameter.
⁵ From top of pan supports.
⁶ A type of recirculating kit is required if recirculating. Depending on the model, a 'Recirculating odour filter kit' will consist of the following items: Charcoal filter, flexible hose, air duct, fixing components, installation instructions.



Island hoods

Serie 6 ++

DIB98JQ50B



Our Island cooker hoods have been specially developed for use over your kitchen island and are freely suspended from the ceiling above it.

HOOD TYPE	ISLAND	ISLAND
DESIGN FAMILY	SERIE 6	SERIE 4
MODEL	DIB98JQ50B	DIG97IM50B
Colour	Stainless Steel	Stainless Steel & Glass
KEY FEATURES		
PerfectAir Sensor	●	-
Home Connect	-	-
Hob Hood Control	-	-
EcoSilence Drive Motor	●	-
Intensive setting / Automatic intensive revert ¹	●/●	●/●
Filter saturation indicators	●	●
ADDITIONAL PROGRAMMES / FUNCTIONS		
Type of control	Touch control	Touch control
Power levels	3 + 2 intensive	3 + 1 intensive
Electronic power level display	-	-
Lighting	4 x LED lights	4 x LED lights
Softlight with dimmer function	●	-
Automatic after running (minutes)	10	-
Number of metal grease filter cassettes	3	2
Suitable for ducted operation / recirculating	●/●	●/●
PERFORMANCE / TECHNICAL INFORMATION		
Appliance width (mm)	900	900
EXTRACTION RATE IN M ³ /H ^(2,3)		
- Ducted / recirculating at power level 1	281 / 171	243 / 173
- Ducted / recirculating at power level 2	361 / 266	328 / 253
- Ducted / recirculating at power level 3	445 / 313	429 / 315
- Ducted / recirculating at power level 4 or intensive level 1	657 / 364	-
- Ducted / recirculating, intensive setting or intensive level 2	867 / 391	732 / 384
NOISE LEVEL (SOUND POWER) BASED ON DB(A) RE 1 PW ^(2,4)		
- Ducted / recirculating at power level 1	44 / 59	47 / 62
- Ducted / recirculating at power level 2	49 / 68	54 / 69
- Ducted / recirculating at power level 3	54 / 71	60 / 73
- Ducted / recirculating at power level 4 or intensive level 1	63 / 73	-
- Ducted / recirculating, intensive setting or intensive level 2	69 / 74	71 / 77
Pipe outlet diameter (mm)	150 / 120	150 / 120
Min. distance above an electric hob / gas hob ⁵ (mm)	550 / 650	550 / 650
GB plug	●	●
Energy Rating	A+	B
OPTIONAL ACCESSORIES ⁶		
Standard Recirculation Kit	DHZ5385	DHZ5365
CleanAir Plus External Recirculation Module (Stainless Steel)	DIZ2CX5C6	DIZ1CX5C6
Long Life External Recirculation Module (Stainless Steel)	DIZ2FX5D1	-

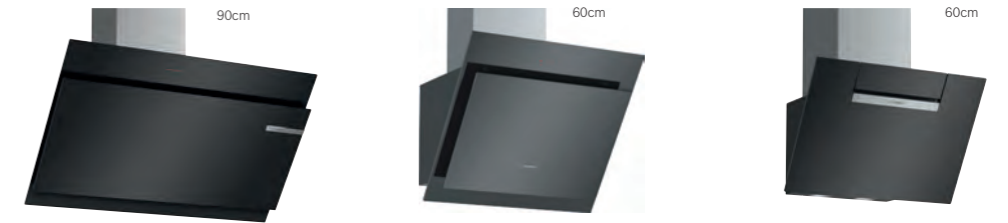
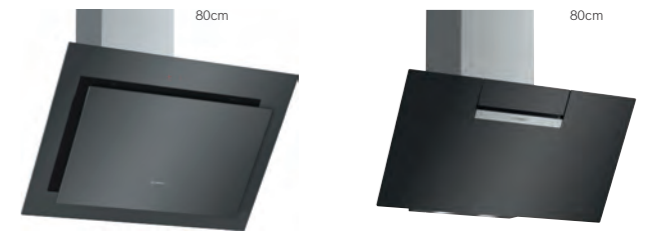
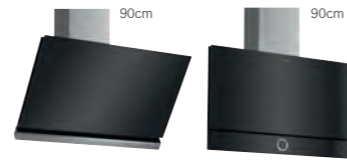
¹ Power automatically reverts back to normal setting after intensive.
² Air Flow and noise declarations made in line with CECEC Code of Conduct.
³ Measured according to EN61591 on largest pipe diameter.
⁴ Sound power measured according to EN60704-3 on largest pipe diameter.
⁵ From top of pan supports.
⁶ A type of recirculating kit is required if recirculating. Depending on the model, a 'Recirculating odour filter kit' will consist of the following items: Charcoal filter, flexible hose, air duct, fixing components, installation instructions.



Angled & Flat hoods

Serie 8 +++

DWK98PR60B



The angled design doesn't restrict headroom so you can keep an eye on your cooking with ease. Simple and stylish design ideal for any kitchen.

HOOD TYPE	ANGLED	FLAT GLASS
DESIGN FAMILY	SERIE 8	SERIE 8
MODEL	DWK98PR60B	DWF97RV60B
Colour	Black Glass	Black Glass
KEY FEATURES		
PerfectAir Sensor	●	●
Home Connect	●	●
Hob Hood Control	●	●
EcoSilence Drive Motor	●	●
Intensive setting / Automatic intensive revert ¹	● / ●	● / ●
Filter saturation indicators	●	●
ADDITIONAL PROGRAMMES / FUNCTIONS		
Type of control	Touch control	Ring control
Power levels	3 + 2 intensive	3 + 2 intensive
Electronic power level display	-	●
Lighting	2 x LED lights	2 x LED lights
Softlight with dimmer function	●	●
Automatic after running (minutes)	10	1-9
Number of metal grease filter cassettes	2	2
Suitable for ducted operation / recirculating	● / ●	● / ●
PERFORMANCE / TECHNICAL INFORMATION		
Appliance width (mm)	894	890
EXTRACTION RATE IN M³/H ^(2,3)		
- Ducted / recirculating at power level 1	293 / 191	227 / 130
- Ducted / recirculating at power level 2	342 / 317	320 / 218
- Ducted / recirculating at power level 3	467 / 430	394 / 294
- Ducted / recirculating at power level 4 or intensive level 1	612 / 525	532 / 409
- Ducted / recirculating, intensive setting or intensive level 2	837 / 583	717 / 527
NOISE LEVEL (SOUND POWER) BASED ON DB(A) RE 1 PW ^(2,4)		
- Ducted / recirculating at power level 1	43 / 50	43 / 43
- Ducted / recirculating at power level 2	47 / 60	52 / 54
- Ducted / recirculating at power level 3	55 / 67	57 / 60
- Ducted / recirculating at power level 4 or intensive level 1	61 / 72	64 / 67
- Ducted / recirculating, intensive setting or intensive level 2	67 / 75	70 / 73
Pipe outlet diameter (mm)	150 / 120	150 / 120
Min. distance above an electric hob / gas hob ⁵ (mm)	450 / 600	450 / not suitable
GB plug	●	●
Energy Rating	A+	B
OPTIONAL ACCESSORIES ⁶		
Standard Recirculation Kit	DWZ0AK0U0	DWZ0AF0U0
Standard Recirculation Kit (Chimless Installation)	DWZ0AK0T0	DWZ0AF0T0
CleanAir Plus External Recirculating Module (Stainless Steel)	DWZ1AX5C6	DWZ1AX5C6
Long Life Regenerative Recirculation Kit	DWZ0AK0S0	DWZ0AF0S0
Long Life Regenerative Integrated Recirculation Kit	-	-
Long Life Regenerative Recirculation Kit (Chimless Installation)	DWZ0AK0R0	DWZ0AF0R0
Black Chimney	DWZ1AX6E1	DWZ1AX6E1

¹ Power automatically reverts back to normal setting after intensive.
² Air Flow and noise declarations made in line with CECEC Code of Conduct.
³ Measured according to EN61591 on largest pipe diameter.
⁴ Sound power measured according to EN60704-3 on largest pipe diameter.
⁵ From top of pan supports.
⁶ A type of recirculating kit is required if recirculating. Depending on the model, a 'Recirculating odour filter kit' will consist of the following items: Charcoal filter, flexible hose, air duct, fixing components, installation instructions.

HOOD TYPE	ANGLED	ANGLED	ANGLED	ANGLED	
DESIGN FAMILY	SERIE 6	SERIE 4	SERIE 2		
MODEL/WIDTH	DWK97JQ60B/90CM	DWK87CM60B/80CM DWK67CM60B/60CM	DWK87EM60B/80CM DWK67EM60B/60CM		
Colour	Black Glass	Black Glass	Black Glass		
KEY FEATURES					
PerfectAir Sensor	●	-	-		
Home Connect	-	-	-		
Hob Hood Control	-	-	-		
EcoSilence Drive Motor	●	-	-		
Intensive setting / Automatic intensive revert ¹	● / ●	● / ●	● / ●		
Filter saturation indicators	●	-	-		
ADDITIONAL PROGRAMMES / FUNCTIONS					
Type of control	Touch Control	Touch Control	Touch control		
Power levels	3 + 2 intensive	3 + 1 intensive	3 + 1 intensive		
Electronic power level display	-	-	-		
Lighting	2 x LED lights	2 x LED lights	2 x LED lights		
Softlight with dimmer function	●	-	-		
Automatic after running (minutes)	10	-	-		
Number of metal grease filter cassettes	2	2	2		
Suitable for ducted operation / recirculating	● / ●	● / ●	● / ●		
PERFORMANCE / TECHNICAL INFORMATION					
Appliance width (mm)	890	790	590	800	600
EXTRACTION RATE IN M³/H ^(3,4)					
- Ducted / recirculating at power level 1	305 / 198	253 / 218	253 / 218	245 / 189	245 / 189
- Ducted / recirculating at power level 2	342 / 318	332 / 293	332 / 293	320 / 260	320 / 260
- Ducted / recirculating at power level 3	431 / 399	416 / 388	416 / 388	399 / 320	399 / 320
- Ducted / recirculating at power level 4 or intensive level 1	525 / 473	-	-	-	-
- Ducted / recirculating, intensive setting or intensive level 2	714 / 542	700 / 557	700 / 557	669 / 398	669 / 398
NOISE LEVEL (SOUND POWER) BASED ON DB(A) RE 1 PW ^(3,5)					
- Ducted / recirculating at power level 1	45/51	48 / 55	48 / 55	48 / 58	48 / 58
- Ducted / recirculating at power level 2	48/61	53 / 60	53 / 60	55 / 65	55 / 65
- Ducted / recirculating at power level 3	53/66	58 / 66	58 / 66	60 / 69	60 / 69
- Ducted / recirculating at power level 4 or intensive level 1	58/74	-	-	-	-
- Ducted / recirculating, intensive setting or intensive level 2	65/75	67 / 75	67 / 75	69 / 76	69 / 76
Pipe outlet diameter (mm)	150/120	150/120	150/120	150 / 120	150 / 120
Min. distance above an electric hob / gas hob ⁶ (mm)	450 / 600	450 / 600	450 / 600	450 / 600	450 / 600
GB plug	●	●	●	●	●
Energy Rating	A	B	B	B	B
OPTIONAL ACCESSORIES ²					
Standard Recirculation Kit	DWZ0AK0U0	DWZ0AK0U0	DWZ0AK0U0	DWZ1EK1U1	DWZ1EK1U1
Standard Recirculation Kit (Chimless Installation)	DWZ0AK0T0	DWZ0AK0T0	DWZ0AK0T0	-	-
CleanAir Plus External Recirculating Module (Stainless Steel)	DWZ1AX5C6	DWZ1AX5C6	DWZ1AX5C6	DWZ1FX5C6	DWZ1FX5C6
Long Life Regenerative Recirculation Kit	DWZ0AK0S0	DWZ0AK0S0	DWZ0AK0S0	-	-
Long Life Regenerative Integrated Recirculation Kit	-	-	-	DWZ0XX0J0	DWZ0XX0J0
Long Life Regenerative Recirculation Kit (Chimless Installation)	DWZ0AK0R0	DWZ0AK0R0	DWZ0AK0R0	-	-
Black Chimney	DWZ1AX6E1	DWZ1AX6E1	DWZ1AX6E1	-	-

¹ Power automatically reverts back to normal setting after intensive.
² Air Flow and noise declarations made in line with CECEC Code of Conduct.
³ Measured according to EN61591 on largest pipe diameter.
⁴ Sound power measured according to EN60704-3 on largest pipe diameter.
⁵ From top of pan supports.
⁶ A type of recirculating kit is required if recirculating. Depending on the model, a 'Recirculating odour filter kit' will consist of the following items: Charcoal filter, flexible hose, air duct, fixing components, installation instructions.

All models comply with COMMISSION REGULATION (EC) No 1275/2008 with regard to ecodesign requirements for standby and off mode electric power consumption.

Home Connect



Glass chimney hoods

Serie 4 +

DWA96DM50B



Glass chimney hoods use a combination of metal and glass to give a contemporary look and feel in your kitchen. Available in different widths to suit any kitchen.

HOOD TYPE		CURVED GLASS CHIMNEY	
DESIGN FAMILY		SERIE 4	
MODEL/WIDTH		DWA96DM50B/90CM DWA66DM50B/60CM	
Colour		Stainless Steel & Glass	
KEY FEATURES			
PerfectAir Sensor		-	
Home Connect		-	
Hob Hood Control		-	
EcoSilence Drive Motor		-	
Intensive setting / Automatic intensive revert ¹		● / ●	
Filter saturation indicators		-	
ADDITIONAL PROGRAMMES / FUNCTIONS			
Type of control		Touch control	
Power levels		3 + 1 intensive	
Electronic power level display		-	
Lighting		2 x LED lights	
Softlight with dimmer function		-	
Automatic after running (minutes)		-	
Number of metal grease filter cassettes		1	
Suitable for ducted operation / recirculating		● / ●	
PERFORMANCE / TECHNICAL INFORMATION			
Appliance width (mm)		900	600
EXTRACTION RATE IN M³/H ^(2,3)			
- Ducted / recirculating at power level 1		234 / 164	239 / 173
- Ducted / recirculating at power level 2		303 / 236	306 / 250
- Ducted / recirculating at power level 3		371 / 292	400 / 303
- Ducted / recirculating at power level 4 or intensive level 1			
- Ducted / recirculating, intensive setting or intensive level 2		610 / 355	615 / 361
NOISE LEVEL (SOUND POWER) BASED ON DB(A) RE 1 PW ^(2,4)			
- Ducted / recirculating at power level 1		48 / 60	48 / 59
- Ducted / recirculating at power level 2		55 / 68	54 / 67
- Ducted / recirculating at power level 3		61 / 72	59 / 71
- Ducted / recirculating at power level 4 or intensive level 1			
- Ducted / recirculating, intensive setting or intensive level 2		69 / 75	69 / 75
Pipe outlet diameter (mm)		150 / 120	150 / 120
Min. distance above an electric hob / gas hob ⁵ (mm)		550 / 650	550 / 650
GB plug		●	●
Energy Rating		B	B
OPTIONAL ACCESSORIES ⁶			
Standard Recirculation Kit		DWZ0DX0U0	DWZ0DX0U0
CleanAir Plus External Recirculation Module (Stainless Steel)		DWZ1FX5C6	DWZ1FX5C6
CleanAir Plus Integrated Recirculation Kit		DWZ1DX116	DWZ1DX116
Long Life Regenerative Integrated Recirculation Kit		DWZ0XX0J0	DWZ0XX0J0

¹ Power automatically reverts back to normal setting after intensive.
² Air Flow and noise declarations made in line with CECEC Code of Conduct.
³ Measured according to EN61591 on largest pipe diameter.
⁴ Sound power measured according to EN60704-3 on largest pipe diameter.
⁵ From top of pan supports.
⁶ A type of recirculating kit is required if recirculating. Depending on the model, a 'Recirculating odour filter kit' will consist of the following items: Charcoal filter, flexible hose, air duct, fixing components, installation instructions.



HOOD TYPE	CURVED GLASS CHIMNEY		STRAIGHT GLASS CHIMNEY		
DESIGN FAMILY	SERIE 2		SERIE 2		
MODEL/WIDTH	DWA94BC50B/90CM DWA64BC50B/60CM		DWG94BC50B/90CM DWG64BC50B/60CM		
Colour	Stainless Steel & Glass		Stainless Steel & Glass		
KEY FEATURES					
PerfectAir Sensor		-		-	
Home Connect		-		-	
Hob Hood Control		-		-	
EcoSilence Drive Motor		-		-	
Intensive setting / Automatic intensive revert ¹		-		-	
Filter saturation indicators		-		-	
ADDITIONAL PROGRAMMES / FUNCTIONS					
Type of control		Push button control		Push button control	
Power levels		3		3	
Electronic power level display		-		-	
Lighting		2 x LED lights		2 x LED lights	
Softlight with dimmer function		-		-	
Automatic after running (minutes)		-		-	
Number of metal grease filter cassettes		1		2 - 90cm model / 1 - 60cm model	
Suitable for ducted operation / recirculating		● / ●		● / ●	
PERFORMANCE / TECHNICAL INFORMATION					
Appliance width (mm)		900	600	900	600
EXTRACTION RATE IN M³/H ^(2,3)					
- Ducted / recirculating at power level 1		198 / 125	198 / 117	198 / 120	198 / 115
- Ducted / recirculating at power level 2		263 / 166	263 / 163	263 / 161	263 / 156
- Ducted / recirculating at power level 3		365 / 198	365 / 200	365 / 195	365 / 190
- Ducted / recirculating at power level 4 or intensive level 1					
- Ducted / recirculating, intensive setting or intensive level 2					
NOISE LEVEL (SOUND POWER) BASED ON DB(A) RE 1 PW ^(2,4)					
- Ducted / recirculating at power level 1		50 / 57	49 / 55	49 / 57	49 / 55
- Ducted / recirculating at power level 2		58 / 62	57 / 61	57 / 61	58 / 62
- Ducted / recirculating at power level 3		64 / 66	64 / 66	64 / 66	64 / 66
- Ducted / recirculating at power level 4 or intensive level 1					
- Ducted / recirculating, intensive setting or intensive level 2					
Pipe outlet diameter (mm)		150 / 120	150 / 120	150 / 120	150 / 120
Min. distance above an electric hob / gas hob ⁵ (mm)		550 / 650	550 / 650	550 / 650	550 / 650
GB plug		●	●	●	●
Energy Rating		D	D	D	D
OPTIONAL ACCESSORIES ⁶					
Standard Recirculation Kit		DWZ0DX0U0	DWZ0DX0U0	DWZ0DX0U0	DWZ0DX0U0
CleanAir Plus External Recirculation Module (Stainless Steel)		DWZ1FX5C6	DWZ1FX5C6	DWZ1FX5C6	DWZ1FX5C6
CleanAir Plus Integrated Recirculation Kit		DWZ1DX116	DWZ1DX116	DWZ1DX116	DWZ1DX116
Long Life Regenerative Integrated Recirculation Kit		DWZ0XX0J0	DWZ0XX0J0	DWZ0XX0J0	DWZ0XX0J0

¹ Power automatically reverts back to normal setting after intensive.
² Air Flow and noise declarations made in line with CECEC Code of Conduct.
³ Measured according to EN61591 on largest pipe diameter.
⁴ Sound power measured according to EN60704-3 on largest pipe diameter.
⁵ From top of pan supports.
⁶ A type of recirculating kit is required if recirculating. Depending on the model, a 'Recirculating odour filter kit' will consist of the following items: Charcoal filter, flexible hose, air duct, fixing components, installation instructions.

All models comply with COMMISSION REGULATION (EC) No 1275/2008 with regard to ecodesign requirements for standby and off mode electric power consumption.

Box chimney hoods

Serie 6 ++

DWB98JQ50B



HOOD TYPE	BOX CHIMNEY	BOX CHIMNEY
DESIGN FAMILY	SERIE 6	SERIE 6
MODEL/WIDTH	DWB98JQ50B/90CM	DWB68JQ50B/60CM
Colour	Stainless Steel	Stainless Steel
KEY FEATURES		
PerfectAir Sensor	●	●
Home Connect	-	-
Hob Hood Control	-	-
EcoSilence Drive Motor	●	●
Intensive setting / Automatic intensive revert ¹	● / ●	● / ●
Filter saturation indicators	-	-
ADDITIONAL PROGRAMMES / FUNCTIONS		
Type of control	Touch control	Touch c control
Power levels	3 + 2 intensive	3 + 2 intensive
Electronic power level display	-	-
Lighting	3 x LED lights	2 x LED lights
Softlight with dimmer function	●	●
Automatic after running (minutes)	10	10
Number of metal grease filter cassettes	3	2
Suitable for ducted operation / recirculating	● / ●	● / ●
PERFORMANCE / TECHNICAL INFORMATION		
Appliance width (mm)	900	600
EXTRACTION RATE IN M³/H ^(2,3)		
- Ducted / recirculating at power level 1	273 / 168	243 / 171
- Ducted / recirculating at power level 2	347 / 265	336 / 245
- Ducted / recirculating at power level 3	430 / 311	408 / 280
- Ducted / recirculating at power level 4 or intensive level 1	637 / 359	588 / 313
- Ducted / recirculating, intensive setting or intensive level 2	843 / 385	732 / 336
NOISE LEVEL (SOUND POWER) BASED ON DB(A) RE 1 PW ^(2,4)		
- Ducted / recirculating at power level 1	46 / 58	47 / 62
- Ducted / recirculating at power level 2	51 / 66	55 / 68
- Ducted / recirculating at power level 3	55 / 69	60 / 71
- Ducted / recirculating at power level 4 or intensive level 1	64 / 72	69 / 73
- Ducted / recirculating, intensive setting or intensive level 2	69 / 74	73 / 75
Pipe outlet diameter (mm)	150/120	150/120
Min. distance above an electric hob / gas hob ⁵ (mm)	550 / 650	550 / 650
GB plug	●	●
Energy Rating	A+	A
OPTIONAL ACCESSORIES ⁶		
Standard Recirculation Kit	DHZ5345	DHZ5325
CleanAir Plus External Recirculation Module (Stainless Steel)	DWZ2CX5C6	DWZ1FX5C6
CleanAir Plus Integrated Recirculation Kit	DWZ1CX116	DWZ1CX116
Long Life Regenerative Integrated Recirculation Kit	DWZ0XX0J5	DWZ0XX0J5

¹ Power automatically reverts back to normal setting after intensive.
² Air Flow and noise declarations made in line with CECEC Code of Conduct.
³ Measured according to EN61591 on largest pipe diameter.
⁴ Sound power measured according to EN60704-3 on largest pipe diameter.
⁵ From top of pan supports.
⁶ A type of recirculating kit is required if recirculating. Depending on the model, a 'Recirculating odour filter kit' will consist of the following items: Charcoal filter, flexible hose, air duct, fixing components, installation instructions.

Chimney hoods in a box design have clean straight lines and edges for a more contemporary design. Different widths are included in the range to suit your kitchen.



HOOD TYPE	BOX CHIMNEY	BOX CHIMNEY	BOX CHIMNEY	BOX CHIMNEY
DESIGN FAMILY	SERIE 4	SERIE 4	SERIE 2	SERIE 2
MODEL	DWB96DM50B	DWB66DM50B	DWB94BC50B	DWB64BC50B
Colour	Stainless Steel	Stainless Steel	Stainless Steel	Stainless Steel
KEY FEATURES				
PerfectAir Sensor	-	-	-	-
Home Connect	-	-	-	-
Hob Hood Control	-	-	-	-
EcoSilence Drive Motor	-	-	-	-
Intensive setting / Automatic intensive revert ¹	● / ●	● / ●	-	-
Filter saturation indicators	-	-	-	-
ADDITIONAL PROGRAMMES / FUNCTIONS				
Type of control	Touch control	Touch control	Push button control	Push button control
Power levels	3 + 1 intensive	3 + 1 intensive	3	3
Electronic power level display	-	-	-	-
Lighting	2 x LED lights	2 x LED lights	2 x LED lights	2 x LED lights
Softlight with dimmer function	-	-	-	-
Automatic after running (minutes)	-	-	-	-
Number of metal grease filter cassettes	3	2	3	2
Suitable for ducted operation / recirculating	● / ●	● / ●	● / ●	● / ●
PERFORMANCE / TECHNICAL INFORMATION				
Appliance width (mm)	900	600	900	600
EXTRACTION RATE IN M³/H ^(2,3)				
- Ducted / recirculating at power level 1	222 / 147	238 / 150	198 / 120	198 / 122
- Ducted / recirculating at power level 2	293 / 228	302 / 220	263 / 162	263 / 165
- Ducted / recirculating at power level 3	372 / 290	368 / 281	365 / 195	365 / 197
- Ducted / recirculating at power level 4 or intensive level 1	-	-	-	-
- Ducted / recirculating, intensive setting or intensive level 2	604 / 360	605 / 348	-	-
NOISE LEVEL (SOUND POWER) BASED ON DB(A) RE 1 PW ^(2,4)				
- Ducted / recirculating at power level 1	48 / 57	48 / 57	49 / 55	49 / 56
- Ducted / recirculating at power level 2	54 / 66	54 / 66	57 / 61	57 / 61
- Ducted / recirculating at power level 3	60 / 71	60 / 71	64 / 66	63 / 66
- Ducted / recirculating at power level 4 or intensive level 1	-	-	-	-
- Ducted / recirculating, intensive setting or intensive level 2	70 / 75	69 / 75	-	-
Pipe outlet diameter (mm)	150 / 120	150 / 120	150 / 120	150 / 120
Min. distance above an electric hob / gas hob ⁵ (mm)	550 / 650	550 / 650	550 / 650	550 / 650
GB plug	●	●	●	●
Energy Rating	B	B	D	D
OPTIONAL ACCESSORIES ⁶				
Standard Recirculation Kit	DWZ0DX0U0	DWZ0DX0U0	DWZ0DX0U0	DWZ0DX0U0
CleanAir Plus External Recirculation Module (Stainless Steel)	DWZ1FX5C6	DWZ1FX5C6	DWZ1FX5C6	DWZ1FX5C6
CleanAir Plus Integrated Recirculation Kit	DWZ1CX116	DWZ1CX116	DWZ1DX116	DWZ1DX116
Long Life Regenerative Integrated Recirculation Kit	DWZ0XX0J0	DWZ0XX0J0	DWZ0XX0J0	DWZ0XX0J0

¹ Power automatically reverts back to normal setting after intensive.
² Air Flow and noise declarations made in line with CECEC Code of Conduct.
³ Measured according to EN61591 on largest pipe diameter.
⁴ Sound power measured according to EN60704-3 on largest pipe diameter.
⁵ From top of pan supports.
⁶ A type of recirculating kit is required if recirculating. Depending on the model, a 'Recirculating odour filter kit' will consist of the following items: Charcoal filter, flexible hose, air duct, fixing components, installation instructions.

All models comply with COMMISSION REGULATION (EC) No 1275/2008 with regard to ecodesign requirements for standby and off mode electric power consumption.

Pyramid chimney hoods

Serie 4 +

DWQ96DM50B



Slim Pyramid hood: performance and matching design in your kitchen.

HOOD TYPE	SLIM PYRAMID CHIMNEY	SLIM PYRAMID CHIMNEY
DESIGN FAMILY	SERIE 4	SERIE 4
MODEL / WIDTH	DWQ96DM50B/90CM	DWQ66DM50B/60CM
Colour	Stainless Steel	Stainless Steel
KEY FEATURES		
PerfectAir Sensor	-	-
Home Connect	-	-
Hob Hood Control	-	-
EcoSilence Drive Motor	-	-
Intensive setting / Automatic intensive revert ¹	● / ●	● / ●
Filter saturation indicators	-	-
ADDITIONAL PROGRAMMES / FUNCTIONS		
Type of control	Touch control	Touch control
Power levels	3 + 1 intensive	3 + 1 intensive
Electronic power level display	-	-
Lighting	2 x LED lights	2 x LED lights
Softlight with dimmer function	-	-
Automatic after running (minutes)	-	-
Number of metal grease filter cassettes	3	2
Suitable for ducted operation / recirculating	● / ●	● / ●
PERFORMANCE / TECHNICAL INFORMATION		
Appliance width (mm)	900	900
EXTRACTION RATE IN M³/H ^(2,3)		
- Ducted / recirculating at power level 1	247 / 171	258 / 181
- Ducted / recirculating at power level 2	316 / 248	328 / 257
- Ducted / recirculating at power level 3	389 / 308	410 / 312
- Ducted / recirculating at power level 4 or intensive level 1	-	-
- Ducted / recirculating, intensive setting or intensive level 2	642 / 372	644 / 372
NOISE LEVEL (SOUND POWER) BASED ON DB(A) RE 1 PW ^(2,4)		
- Ducted / recirculating at power level 1	48 / 58	50 / 60
- Ducted / recirculating at power level 2	55 / 66	56 / 68
- Ducted / recirculating at power level 3	61 / 71	62 / 72
- Ducted / recirculating at power level 4 or intensive level 1	-	-
- Ducted / recirculating, intensive setting or intensive level 2	70 / 75	70 / 75
Pipe outlet diameter (mm)	150 / 120	150 / 120
Min. distance above an electric hob / gas hob ⁵ (mm)	550 / 650	550 / 650
GB plug	●	●
Energy Rating	A	A
OPTIONAL ACCESSORIES ⁶		
Standard Recirculation Kit	DWZ0DX0U0	DWZ0DX0U0
CleanAir Plus External Recirculation Module (Stainless Steel)	DWZ1FX5C6	DWZ1FX5C6
CleanAir Plus Integrated Recirculation Kit	DWZ1DX1I6	DWZ1DX1I6
Long Life Regenerative Integrated Recirculation Kit	DWZ0XX0J0	DWZ0XX0J0

¹ Power automatically reverts back to normal setting after intensive.
² Air Flow and noise declarations made in line with CECEC Code of Conduct.
³ Measured according to EN61591 on largest pipe diameter.
⁴ Sound power measured according to EN60704-3 on largest pipe diameter.
⁵ From top of pan supports.
⁶ A type of recirculating kit is required if recirculating. Depending on the model, a 'Recirculating odour filter kit' will consist of the following items: Charcoal filter, flexible hose, air duct, fixing components, installation instructions.



HOOD TYPE	SLIM PYRAMID CHIMNEY			PYRAMID CHIMNEY		
DESIGN FAMILY	SERIE 2			SERIE 2		
MODEL / WIDTH	DWQ94BC50B/90CM DWQ74BC50B/75CM DWQ64BC50B/60CM			DWP94BC50B/90CM DWP74BC50B/75CM DWP64BC50B/60CM		
Colour	Stainless Steel			Stainless Steel		
KEY FEATURES						
PerfectAir Sensor	-			-		
Home Connect	-			-		
Hob Hood Control	-			-		
EcoSilence Drive Motor	-			-		
Intensive setting / Automatic intensive revert ¹	-			-		
Filter saturation indicators	-			-		
ADDITIONAL PROGRAMMES / FUNCTIONS						
Type of control	Push button control	Push button control	Push button control	Push button control	Push button control	Push button control
Power levels	3	3	3	3	3	3
Electronic power level display	-	-	-	-	-	-
Lighting	2 x LED lights	2 x LED lights	2 x LED lights	2 x LED lights	2 x LED lights	2 x LED lights
Softlight with dimmer function	-	-	-	-	-	-
Automatic after running (minutes)	-	-	-	-	-	-
Number of metal grease filter cassettes	3	2	2	3	2	2
Suitable for ducted operation / recirculating	● / ●	● / ●	● / ●	● / ●	● / ●	● / ●
PERFORMANCE / TECHNICAL INFORMATION						
Appliance width (mm)	900	750	600	900	750	600
EXTRACTION RATE IN M³/H ^(2,3)						
- Ducted / recirculating at power level 1	198 / 125	198 / 125	198 / 118	198 / 129	198 / 129	198 / 127
- Ducted / recirculating at power level 2	263 / 168	263 / 168	263 / 162	263 / 174	263 / 174	263 / 171
- Ducted / recirculating at power level 3	365 / 202	365 / 202	365 / 198	365 / 213	365 / 213	365 / 211
- Ducted / recirculating at power level 4 or intensive level 1	-	-	-	-	-	-
- Ducted / recirculating, intensive setting or intensive level 2	-	-	-	-	-	-
NOISE LEVEL (SOUND POWER) BASED ON DB(A) RE 1 PW ^(2,4)						
- Ducted / recirculating at power level 1	50 / 55	50 / 55	50 / 55	50 / 56	50 / 56	50 / 55
- Ducted / recirculating at power level 2	59 / 62	59 / 62	59 / 62	57 / 62	57 / 62	58 / 62
- Ducted / recirculating at power level 3	64 / 66	64 / 66	64 / 65	65 / 67	65 / 67	66 / 67
- Ducted / recirculating at power level 4 or intensive level 1	-	-	-	-	-	-
- Ducted / recirculating, intensive setting or intensive level 2	-	-	-	-	-	-
Pipe outlet diameter (mm)	150 / 120	150 / 120	150 / 120	150 / 120	150 / 120	150 / 120
Min. distance above an electric hob / gas hob ⁵ (mm)	550 / 650	550 / 650	550 / 650	550 / 650	550 / 650	550 / 650
GB plug	●	●	●	●	●	●
Energy Rating	D	D	D	D	D	D
OPTIONAL ACCESSORIES ⁶						
Standard Recirculation Kit	DWZ0DX0U0	DWZ0DX0U0	DWZ0DX0U0	DHZ5275	DHZ5275	DHZ5275
CleanAir Plus External Recirculation Module (Stainless Steel)	DWZ1FX5C6	DWZ1FX5C6	DWZ1FX5C6	-	-	-
CleanAir Plus Integrated Recirculation Kit	DWZ1DX1I6	DWZ1DX1I6	DWZ1DX1I6	-	-	-
Long Life Regenerative Integrated Recirculation Kit	DWZ0XX0J0	DWZ0XX0J0	DWZ0XX0J0	-	-	-

¹ Power automatically reverts back to normal setting after intensive.
² Air Flow and noise declarations made in line with CECEC Code of Conduct.
³ Measured according to EN61591 on largest pipe diameter.
⁴ Sound power measured according to EN60704-3 on largest pipe diameter.
⁵ From top of pan supports.
⁶ A type of recirculating kit is required if recirculating. Depending on the model, a 'Recirculating odour filter kit' will consist of the following items: Charcoal filter, flexible hose, air duct, fixing components, installation instructions.

All models comply with COMMISSION REGULATION (EC) No 1275/2008 with regard to ecodesign requirements for standby and off mode electric power consumption.

Canopy hoods

Serie 6



DHL785CGB

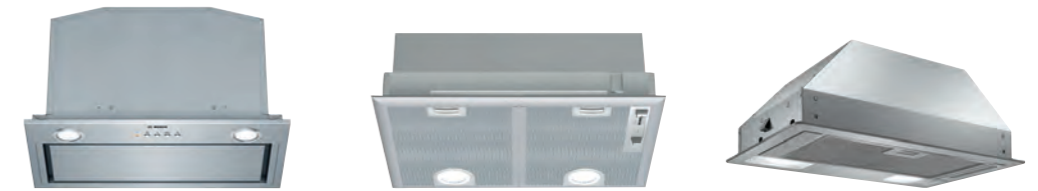


Bosch canopy cooker hoods are powerful ventilation systems that can be integrated into the cabinets above your hob. The hood provides excellent extraction of steam and cooking smells, as well as providing additional lighting for your cooking surfaces.



HOOD TYPE	CANOPY
DESIGN FAMILY	SERIE 6
MODEL	DHL785CGB
Colour	Stainless Steel
KEY FEATURES	
PerfectAir Sensor	-
Home Connect	-
Hob Hood Control	-
EcoSilence Drive Motor	-
Intensive setting / Automatic intensive revert ¹	● / ●
Filter saturation indicators	-
ADDITIONAL PROGRAMMES / FUNCTIONS	
Type of control	Soft touch button control
Power levels	3 + 1 intensive
Electronic power level display	-
Lighting	2 x LED lights
Softlight with dimmer function	-
Automatic after running (minutes)	-
Number of metal grease filter cassettes	2
Furniture door required	-
Suitable for ducted operation / recirculating	● / ●
PERFORMANCE / TECHNICAL INFORMATION	
Appliance width (mm)	700
EXTRACTION RATE IN M³/H ^(2,3)	
- Ducted / recirculating at power level 1	345 / 210
- Ducted / recirculating at power level 2	540 / 270
- Ducted / recirculating at power level 3	630 / 300
- Ducted / recirculating at power level 4 or intensive level 1	-
- Ducted / recirculating, intensive setting or intensive level 2	730 / 310
NOISE LEVEL (SOUND POWER) BASED ON DB(A) RE 1 PW ^(2,4)	
- Ducted / recirculating at power level 1	53 / 67
- Ducted / recirculating at power level 2	63 / 71
- Ducted / recirculating at power level 3	66 / 73
- Ducted / recirculating at power level 4 or intensive level 1	-
- Ducted / recirculating, intensive setting or intensive level 2	69 / 74
Pipe outlet diameter (mm)	150 / 120
Min. distance above an electric hob / gas hob ⁵ (mm)	500 / 650
GB plug	●
Energy Rating	C
OPTIONAL ACCESSORIES ⁶	
Standard Recirculation Filter / Kit	DHZ5605
CleanAir Plus Anti-Pollen Recirculation Kit	DWZ1IX1C6
Long Life Regenerative Recirculation Kit	DWZ1IT1D1

¹ Power automatically reverts back to normal setting after intensive.
² Air Flow and noise declarations made in line with CECEC Code of Conduct.
³ Measured according to EN61591 on largest pipe diameter.
⁴ Sound power measured according to EN60704-3 on largest pipe diameter.
⁵ From top of pan supports.
⁶ A type of recirculating kit is required if recirculating. Depending on the model, a 'Recirculating odour filter kit' will consist of the following items: Charcoal filter, flexible hose, air duct, fixing components, installation instructions.



HOOD TYPE	CANOPY	CANOPY	CANOPY
DESIGN FAMILY	SERIE 6	SERIE 4	SERIE 2
MODEL	DHL785CGB	DHL555LGB	DLN53AA70B
Colour	Stainless Steel	Silver Metallic Lacquered	Silver Metallic Lacquered
KEY FEATURES			
PerfectAir Sensor	-	-	-
Home Connect	-	-	-
Hob Hood Control	-	-	-
EcoSilence Drive Motor	-	-	-
Intensive setting / Automatic intensive revert ¹	● / ●	● / -	-
Filter saturation indicators	-	-	●
ADDITIONAL PROGRAMMES / FUNCTIONS			
Type of control	Soft touch button control	Slider switch control	Slider switch control
Power levels	3 + 1 intensive	3 + 1 intensive	3
Electronic power level display	-	-	-
Lighting	2 x LED lights	2 x LED lights	2 x LED lights
Softlight with dimmer function	-	-	-
Automatic after running (minutes)	-	-	-
Number of metal grease filter cassettes	1	2	1
Furniture door required	-	-	-
Suitable for ducted operation / recirculating	● / ●	● / ●	● / ●
PERFORMANCE / TECHNICAL INFORMATION			
Appliance width (mm)	520	530	534
EXTRACTION RATE IN M³/H ^(2,3)			
- Ducted / recirculating at power level 1	295 / 210	196 / 134	120 / 110
- Ducted / recirculating at power level 2	450 / 260	280 / 198	160 / 160
- Ducted / recirculating at power level 3	560 / 290	362 / 268	300 / 300
- Ducted / recirculating at power level 4 or intensive level 1	-	-	-
- Ducted / recirculating, intensive setting or intensive level 2	615 / 300	618 / 395	-
NOISE LEVEL (SOUND POWER) BASED ON DB(A) RE 1 PW ^(2,4)			
- Ducted / recirculating at power level 1	50 / 66	38 / 49	46 / 49
- Ducted / recirculating at power level 2	63 / 71	49 / 58	50 / 53
- Ducted / recirculating at power level 3	67 / 74	56 / 64	61 / 65
- Ducted / recirculating at power level 4 or intensive level 1	-	-	-
- Ducted / recirculating, intensive setting or intensive level 2	70 / 75	68 / 72	-
Pipe outlet diameter (mm)	150 / 120	150 / 120	120
Min. distance above an electric hob / gas hob ⁵ (mm)	500 / 650	650 / 650	550 / 650
GB plug	●	●	●
Energy Rating	C	C	D
OPTIONAL ACCESSORIES ⁶			
Standard Recirculation Filter / Kit	DHZ5605	DHZ7305	DWZ0IN0T0
CleanAir Plus Anti-Pollen Recirculation Kit	DWZ1IX1C6	-	-
Long Life Regenerative Recirculation Kit	DWZ1IT1D1	-	-

¹ Power automatically reverts back to normal setting after intensive.
² Air Flow and noise declarations made in line with CECEC Code of Conduct.
³ Measured according to EN61591 on largest pipe diameter.
⁴ Sound power measured according to EN60704-3 on largest pipe diameter.
⁵ From top of pan supports.
⁶ A type of recirculating kit is required if recirculating. Depending on the model, a 'Recirculating odour filter kit' will consist of the following items: Charcoal filter, flexible hose, air duct, fixing components, installation instructions.

All models comply with COMMISSION REGULATION (EC) No 1275/2008 with regard to ecodesign requirements for standby and off mode electric power consumption.

Telescopic, integrated and built-under hoods



HOOD TYPE	TELESCOPIC	TELESCOPIC	TELESCOPIC	INTEGRATED	INTEGRATED	CONVENTIONAL
DESIGN FAMILY	SERIE 4	SERIE 4	SERIE 2	SERIE 2	SERIE 2	SERIE 2
MODEL	DFS097A50B	DFS067A50B	DFM063W55B	DEM66AC00B	DEM63AC00B	DUL63CC50B
Colour	Stainless Steel	Stainless Steel	Stainless Steel	Silver Metallic Lacquered	Silver Metallic Lacquered	Stainless Steel
KEY FEATURES						
PerfectAir Sensor	-	-	-	-	-	-
Home Connect	-	-	-	-	-	-
Hob Hood Control	-	-	-	-	-	-
EcoSilence Drive Motor	-	-	-	-	-	-
Intensive setting / Automatic intensive revert ¹	● / ●	● / ●	-	-	-	-
Filter saturation indicators	-	-	-	-	-	-
ADDITIONAL PROGRAMMES / FUNCTIONS						
Type of control	Soft touch button control	Soft touch button control	Rocker switch control	Push button control	Push button control	Push button control
Power levels	3 + 1 intensive	3 + 1 intensive	2	3	3	3
Electronic power level display	-	-	-	-	-	-
Lighting	2 x LED lights	2 x LED lights	2 x Halogen lights	2 x LED lights	2 x LED lights	2 x LED lights
Softlight with dimmer function	-	-	-	-	-	-
Automatic after running (minutes)	10	10	-	-	-	-
Number of metal grease filter cassettes	3	2	2	2	2	2
Furniture door required	●	●	●	●	●	-
Suitable for ducted operation / recirculating	● / ●	● / ●	● / ●	● / ●	● / ●	● / ●
PERFORMANCE / TECHNICAL INFORMATION						
Appliance width (mm)	898	598	598	599	599	600
EXTRACTION RATE IN M³/H^(2,3)						
- Ducted / recirculating at power level 1	209 / 141	219 / 143	254 / 165	256 / 208	240 / 224	175 / 70
- Ducted / recirculating at power level 2	323 / 228	315 / 230	328 / 181	352 / 320	288 / 256	260 / 90
- Ducted / recirculating at power level 3	407 / 301	391 / 303	-	625 / 416	368 / 272	350 / 110
- Ducted / recirculating at power level 4 or intensive level 1	-	-	-	-	-	-
- Ducted / recirculating, intensive setting or intensive level 2	758 / 499	739 / 488	-	-	-	-
NOISE LEVEL (SOUND POWER) BASED ON DB(A) RE 1 PW^(2,4)						
- Ducted / recirculating at power level 1	42 / 43	41 / 44	58 / 70	49 / 57	52 / 64	56 / 66
- Ducted / recirculating at power level 2	49 / 54	49 / 54	64 / 72	56 / 68	56 / 67	65 / 73
- Ducted / recirculating at power level 3	54 / 61	54 / 61	-	70 / 75	62 / 68	72 / 77
- Ducted / recirculating at power level 4 or intensive level 1	-	-	-	-	-	-
- Ducted / recirculating, intensive setting or intensive level 2	69 / 74	68 / 73	-	-	-	-
Pipe outlet diameter (mm)	150 / 120	150 / 120	150 / 120	150 / 120	150 / 120	100 / 120
Min. distance above an electric hob / gas hob ⁵ (mm)	430 / 650	430 / 650	430 / 650	500 / 650	500 / 650	650 / 650
GB plug	●	●	●	●	●	●
Energy Rating	A	B	D	B	D	D
OPTIONAL ACCESSORIES⁶						
Standard Recirculation Kit	DSZ4565	DSZ4565	DSZ4545	DWZ01MOAO	DWZ01MOAO	DHZ2701
CleanAir Plus Anti-Pollen Recirculation Kit	DWZ1IX1C6	DWZ1IX1C6	-	-	-	-
Long Life Regenerative Recirculation Kit	DWZ1IT1D1	DWZ1IT1D1	-	-	-	-
Black & Steel finish profile/handle	DSZ4956	DSZ4656	DSZ4656	-	-	-
Lowering frame	DSZ4960	DSZ4660	-	-	-	-
Bracket for installation in 90cm wide units	DSZ4920	-	-	-	-	-

¹ Power automatically reverts back to normal setting after intensive.

² Air Flow and noise declarations made in line with CECEC Code of Conduct.

³ Measured according to EN61591 on largest pipe diameter.

⁴ Sound power measured according to EN60704-3 on largest pipe diameter.

⁵ From top of pan supports.

⁶ A type of recirculating kit is required if recirculating. Depending on the model, a 'Recirculating odour filter kit' will consist of the following items: Charcoal filter, flexible hose, air duct, fixing components, installation instructions.

Introducing the Bosch laundry range.

Effortlessly efficient, load after load.

Our built-in laundry appliances are designed to perform perfectly, load after load. And our advanced technology means your clothes are cleaned effectively and efficiently.

Serie 8

+++

Perfection in every detail, our **Serie 8** range of laundry appliances stand out from the crowd with superior quality, results and first-class design. Clever features such as the TimeLight take away the guesswork on the progress of the wash. Unique innovations combined with energy efficiency deliver outstanding performance.

Serie 6

++

Our **Serie 6** range of laundry appliances offer a broad choice of specialist programmes and deliver high performance and effortless convenience to enhance your lifestyle.

Serie 4

+

Models within our **Serie 4** range combine practical features and Bosch build quality in a consistent, value for money package.

Laundry functions explained.



TimeLight

The time remaining on your cycle is projected onto the floor. You can also view the programme progress status.



WaveDrum

Select the programme for your wash and the droplet-shaped drum structure and asymmetrical paddles adjust the drum movements to powerful or gentle.



EcoSilence Drive

Our washing machines with EcoSilence Drive generate a noise level of just 41 decibels.



Aqua Stop

This security gives you peace of mind that the water will stop in the unlikely event of a leak.



Reload

Simply pause the cycle and the machine will automatically adjust the water. This allows you to add or remove items of any size to your wash.



Time Delay

Have your laundry ready when you need it. Just delay the start of your programme with one simple button.



AntiVibration Design

A spiral design on the side of the washing machine that increases stability and reduces vibration. This makes for a quieter machine with improved sound dampening.



Capacity

Our built-in washing machines have a drum capacity of up to 8kg, perfect for those busy households.

Washing machines

Never miss an item again. Reload by Bosch.

For dropped socks, mistaken items with your whites or forgotten clothes, **Reload** function on Bosch washing machines allows you to add or remove clothing of any size to your washes. Simply pause the cycle and the machine will automatically adjust the water level to allow you to open the door. Reload your items and restart the wash.



TimeLight.

Bosch washing machines are so quiet sometimes it's hard to tell whether they are on or off, especially on fully-integrated models where there is no visible control panel. The TimeLight indicates the programme status and time remaining onto any floor surface.

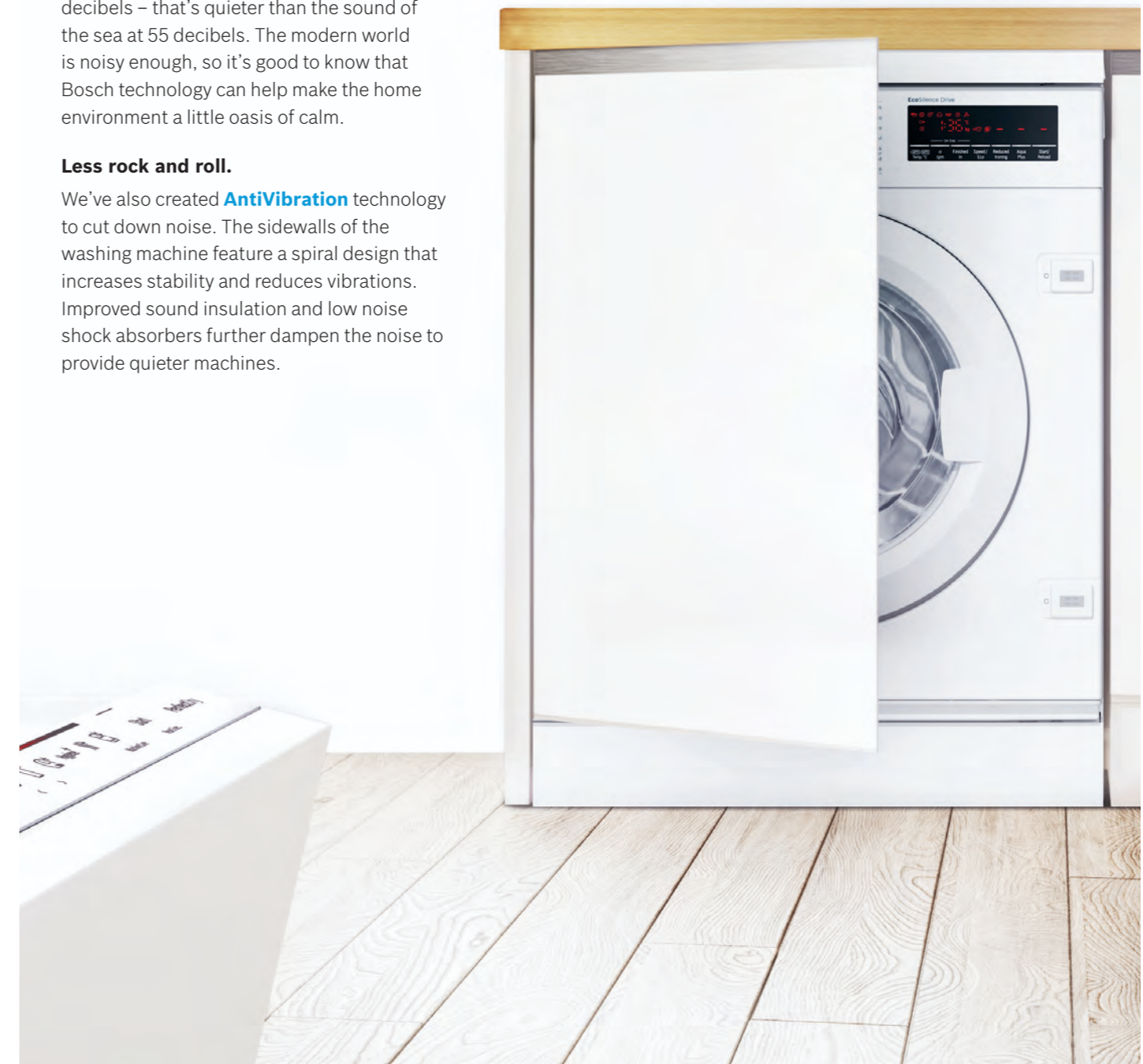
Bosch integrated technology for a peaceful washing experience.

Enjoy the quiet life.

Our latest washing machines with **EcoSilence Drive™** generate a noise level of just 41 decibels – that's quieter than the sound of the sea at 55 decibels. The modern world is noisy enough, so it's good to know that Bosch technology can help make the home environment a little oasis of calm.

Less rock and roll.

We've also created **AntiVibration** technology to cut down noise. The sidewalls of the washing machine feature a spiral design that increases stability and reduces vibrations. Improved sound insulation and low noise shock absorbers further dampen the noise to provide quieter machines.



Washing machines

Ideal for families.

Ideal for families and busy households, the large 8kg capacity means you can wash more laundry in one go. A typical 8kg load could be made of king size bed linen, including 4 pillow cases. So whether you have lots of laundry, or fewer loads but with larger amounts, large capacity will make your laundry life easier.



Available November 2020

Available November 2020

TYPE	WASHER
DESIGN FAMILY	SERIE 8
MODEL	WIW28501GB
KEY FEATURES	
TimeLight projection on floor	•
Reload function	•
SpeedPerfect	•
Type of motor	EcoSilence Drive
Interior drum light	•
Drum structure	VarioDrum
Display	LED
Time delay (24h)	•
Sound insulation	AntiVibration Sidewall
ADDITIONAL FUNCTIONS	
Balance control	•
Water protection system	Aqua Stop
Control panel lock	•
PROGRAMMES/FUNCTIONS	
Standard programmes	Cottons, EasyCare, Mixed Load, Wool, Delicates / Silk
Additional programmes	SuperQuick 15/30*, Shirts, Dark Wash, Sportswear, Down, Quiet Wash, Rinse, Spin / Drain, Drum Clean
Options	Temperature selection, Spin Speed selection, Reduced ironing, Rinse Plus
PERFORMANCE / TECHNICAL INFORMATION	
Energy efficiency class	A+++(-10%)
Capacity cotton (kg)	8
Maximum spin speed (rpm)*	1400
Washing performance class	A
Spin drying performance class	B
Energy consumption annual (kWh)	176
Water consumption annual (litres)	11000
Drum volume (litres)	55
Noise level washing (dB)	41
Noise level spinning (dB)	66
Dimensions HxWxD (cm)	818 x 596 x 574
Depth with open door 90° (cm)	956
Height adjustable (mm)	12
Length of electrical supply cord (cm)	210
Length of Supply hose / Drain hose (cm)	220 / 220
Door hinge	Left-hand

Serie 8 +++

WIW28501GB
Available October 2020



TYPE	WASHER	WASHER
DESIGN FAMILY	SERIE 8	SERIE 6
MODEL	WIW28500GB	WIW28301GB
KEY FEATURES		
TimeLight projection on floor	•	-
Reload function	•	•
SpeedPerfect	•	•
Type of motor	EcoSilence Drive	EcoSilence Drive
Interior drum light	•	•
Drum structure	VarioDrum	VarioDrum
Display	LED	LED
Time delay (24h)	•	•
Sound insulation	AntiVibration Sidewall	AntiVibration Sidewall
ADDITIONAL FUNCTIONS		
Balance control	•	•
Water protection system	Aqua Stop	Aqua Stop
Child safety	•	•
PROGRAMMES/FUNCTIONS		
Standard programmes	Cottons, EasyCare, Wool, Delicates / Silk, Mixed Load	Cottons, EasyCare, Mixed Load, Wool, Delicates / Silk
Additional programmes	SuperQuick 15/30*, Shirts, Dark Wash, Sportswear, Down, Quiet Wash, Rinse, Spin / Drain, Drum Clean	Shirts, Quiet Wash, Allergy Plus, Spin / Drain
Options	Temperature selection, Spin Speed selection, Reduced ironing, Rinse Plus	Spin Speed selection
PERFORMANCE / TECHNICAL INFORMATION		
Energy efficiency class	A+++(-30%)	A+++(-10%)
Capacity cotton (kg)	8	8
Maximum spin speed (rpm)*	1400	1400
Washing performance class	A	A
Spin drying performance class	B	B
Energy consumption annual (kWh)	176	176
Water consumption annual (litres)	9900	11000
Drum volume (litres)	53	55
Noise level washing (dB)	41	41
Noise level spinning (dB)	67	66
Dimensions HxWxD (cm)	818 x 596 x 574	818 x 596 x 574
Depth with open door 90° (cm)	956	956
Height adjustable (mm)	12	12
Length of electrical supply cord (cm)	210	210
Length of supply hose / Drain hose (cm)	220 / 220	220 / 220
Door hinge	Left-hand	Left-hand

TYPE	WASHER DRYER	WASHER DRYER	WASHER DRYER	WASHER DRYER
DESIGN FAMILY	SERIE 6	SERIE 6	SERIE 4	SERIE 4
MODEL	WKD28542GB	WKD28541GB	WKD28352GB	WKD28351GB
KEY FEATURES				
Full electronic control dial for all wash and special programmes	•	•	•	•
Time selection options	•	•	•	•
ADDITIONAL FUNCTIONS				
Time delay (h)	24	24	24	24
Foam detection system	•	•	•	•
Balance control	•	•	•	•
Control panel lock	•	•	•	•
Water protection system	AquaSecure	AquaSecure	Multiple water protection	Multiple water protection
PROGRAMMES/FUNCTIONS				
Standard programmes	Cottons, EasyCare, Mixed Load, Wool, Delicates / Silk	Cottons, EasyCare, Mixed load, Wool, Delicates / Silk	Cottons, EasyCare, Wool, Delicates / Silk	Cottons, EasyCare, Mixed Load, Wool, Delicates / Silk
Additional programmes	Super Quick 15*, Allergy Plus, Sportswear, Quiet Wash, Rinse / Spin, Spin / Drain, Intensive Dry, Gentle Dry, Fluff Clean	Super Quick 15*, Allergy Plus, Sportswear, Quiet Wash, Rinse / Spin, Spin / Drain, Intensive Dry, Gentle Dry, Fluff Clean	Rinse / Spin, Spin / Drain, Intensive Dry, Gentle Dry, Fluff Clean	Rinse / Spin, Spin / Drain, Intensive Dry, Gentle Dry, Fluff Clean
Options	Spin Speed selection, Rinse Hold, Pre Wash, Intensive, Easy Iron, Water Plus, Flexi Time	Spin Speed selection, Rinse Hold, Pre Wash, Intensive, Easy Iron, Water Plus, Flexi Time	Spin Speed selection, Rinse Hold, Pre Wash, Intensive, Easy Iron, Water Plus, Flexi Time	Spin Speed selection, Rinse Hold, Pre Wash, Intensive, Easy Iron, Water Plus, Flexi Time
PERFORMANCE / TECHNICAL INFORMATION				
Energy efficiency class	B	B	B	B
Capacity cotton washing (kg)	7	7	7	7
Capacity cotton drying (kg)	4	4	4	4
Maximum spin speed (rpm)*	1400	1400	1400	1400
Washing performance class	A	A	A	A
Energy consumption – wash and dry of full wash load (kWh)	5.4	5.4	5.6	5.6
Water consumption – wash and dry full wash load (litres)	90	90	92	92
Drum volume (litres)	52	52	52	52
Noise level washing (dB)	57	57	57	57
Noise level spinning (dB)	74	74	74	74
Noise level drying (dB)	60	60	60	60
Dimensions of the product – exc door (cm)	820 x 595 x 584	820 x 595 x 584	820 x 595 x 584	820 x 595 x 584
Depth with door open 90° (mm)	960	960	960	960
Height adjustability (mm)	15	15	15	15
Length electrical supply cord (cm)	220	220	220	220
Length of Supply hose / Drain hose (cm)	200 / 200	200 / 200	200 / 200	200 / 200
Display	LED	LED	LED	LED
Door hinge	Left-hand	Left-hand	Left-hand	Left-hand

• = yes - = no
* Values are rounded. For full specification details, please log onto our website and download a full specification sheet. Information correct as of June 2020.

• = yes - = no
All models comply with COMMISSION REGULATION (EC) No 1275/2008 with regard to ecodesign requirements for standby and off mode electric power consumption. * Values are rounded. For full specification details, please log onto our website and download a full specification sheet. Information correct as of June 2020.

Introducing the Bosch dishwasher range.

All our built-in dishwashers offer a range of advanced technologies as standard and additional options across the range to suit your individual requirements.

To help you choose the right Bosch dishwasher, we have divided them into the four ranges below.

Serie 8 +++

Our **Serie 8** range combines cutting-edge design and advanced technology, including Home Connect. The **A+++** energy efficiency rating of this range is complemented by our **PerfectDry** function where moisture is absorbed before being released as hot air for energy-efficient drying. Exceptionally quiet, offering additional storage and flexible loading solutions.

Serie 6 ++

Our **Serie 6** range comes packed with technology, from energy and water-saving modes to quick washes for when time is at a premium. They also feature our clever **PerfectDry** technology and **VarioFlex baskets** with coloured touchpoints for flexible loading solutions and accommodating the most awkward shaped dishes.

Serie 4 +

Our **Serie 4** range of models offer great value for money but does not compromise on Bosch build quality. They combine advanced energy and resource-saving features. In addition, they offer flexible **Vario** and **VarioFlex baskets** with foldable racks in the top and bottom baskets.

Serie 2

Our **Serie 2** dishwashers offer you the classic design with easy operation. They are the optimal solution for anyone who wants a reliable appliance with good value for money.



Model shown: SMV68TD06G

PerfectDry

A clever function that saves energy by using less electricity to dry everything to perfection. And we do mean everything – plates, pans, glasses and all plastic items. Your lunch boxes and containers will be completely clean and perfectly dry, so you'll never have to pick up a tea towel to finish the job again.

The technology behind **PerfectDry**, unique to Bosch, is called Zeolith®. It is a process applied to every cycle that uses naturally occurring minerals, that heat up when they come into contact with water. The warm air is then distributed evenly over the load.



The dish dryer among dishwashers.

The technology behind **PerfectDry** uses **Zeolith®** minerals to help dry the load economically and efficiently. The dishwasher absorbs humidity from the washed dishes and the clever **Zeolith®** beads then transform that humidity into warm air that speeds up the drying process. So when you need a wash with brilliant drying results, it's time to choose Bosch.



ExtraDry

Want your dishes extra dry? No problem. This function gives you even more drying power when you need it. Just choose the **ExtraDry** option and more heat will be created to extend your load's drying cycle.

A dishwasher for every kitchen.

Choose the right appliance for you, for the space in your kitchen.

When selecting your built-in dishwasher you can choose from the 3 sizes/designs below, depending on your preference and the space within your kitchen.



Model shown: SMV68ND00G



Fully Integrated 60cm



Semi-Integrated 60cm



Fully Integrated 45cm

Different types of control.



Grey touch control with LCD display



Grey touch control with LED display



Stainless steel push button with LED display



Black tap through control with LED indicators



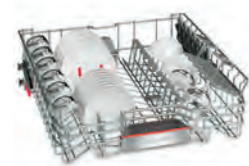
Stainless steel push button with LED display



Black push button with LED display

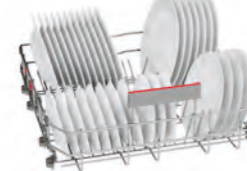
Where every pot has its place.

VarioFlex basket options.



VarioFlex Pro.

Stainless steel fascias.
Colour touch points as standard.
Top rack flexible areas: 6
Bottom basket flexible areas: 8



VarioFlex.

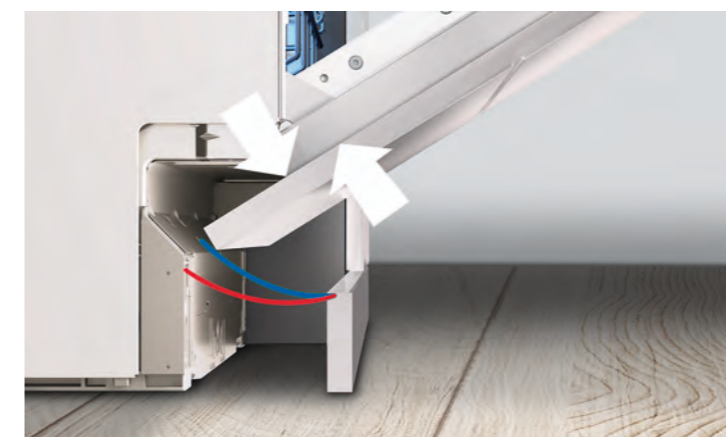
Brand coloured plastic fascias.
Options with and without colour touch points.
Top rack flexible areas: 2
Bottom basket flexible areas: 4



Vario.

Grey plastic fascias.
Top rack flexible areas: 0
Bottom basket flexible areas: 2

VarioHinge.



VarioHinge.

The innovative Vario Hinge system is the optimal solution for challenging built-in dishwashers. In kitchens with a low plinth (<90mm) and extra long furniture fronts the door and appliances might collide into each other. With VarioHinge, the furniture front slides up so the door opens perfectly without collision. This ensures perfect design of a fully integrated kitchen.

Dishwasher functions explained.

(Check model for available functions)



TimeLight
Bosch dishwashers are so quiet sometimes it's hard to tell whether they are on or off, especially on fully-integrated models where there is no visible control panel. The TimeLight indicates the programme status and time remaining onto any floor surface.



InfoLight
Coloured light beam projects onto the floor when the machine cycle is started, and turns off when finished.



EmotionLight
Lights up the dishwasher cavity with 2 white LED lights.



VarioSpeed Plus
Our VarioSpeed Plus option reduces programme times without compromising on quality. So you still get hygienically clean and dry dishes but in about a third of the time of the standard programme – ideal for busy households and entertaining.



Place Settings
A selection of our dishwashers will hold up to 14 place settings in one load – perfect for larger households.



Home Connect
To stay at their best, different dishes and glassware need to be washed in different ways. With the Bosch Home Connect app, simply tell your dishwasher what's in the load and it'll work out the perfect programme.



Door OpenAssist
With OpenAssist you can open fully integrated dishwashers by simply touching the front of the unit. This partially opens the door, making it easy to load and unload the dishwasher. The handle-free dishwasher door is the optimal choice for modern designer kitchens with matching-style unit fronts. Activate the electronic child lock for the door to make this a double push to open.



Self-cleaning filters
Self cleaning filter system, with spray arms designed to direct water at the filters on every rotation. Please note, self cleaning references are to reduce chances of filters being blocked during the cycle, regular maintenance of clearing and cleaning filters is still recommended.



Dosage Assist
Get the most out of your detergent with Dosage Assist; a small area at the front of the top basket that catches the tablet when it's released during the cycle. It controls how the tablet is dissolved for optimum performance.



EfficientDry
Automatically opens your dishwasher door, offering better drying results compared to a closed door (after 30 minutes). Select this feature via the Home Connect app, available on all programmes except pre-rinse and machine care.

Machine care

Your dishwasher will help look after itself with this smart function. Optimising the water and energy consumption, it works on a short run time of 80-90 minutes at high temperatures. It eliminates limescale and grease deposits inside the dishwasher and works with a standard machine-care detergent. On selected Serie 8 and Serie 6 models, it will even remind you to run the programme every 30 cycles.



Model shown: SMV68MD00G

10 year anti-rust warranty

Our appliances are made from top quality materials and in addition to our standard appliance warranty, we provide a free of charge warranty against rusting-through of the dishwasher's inner cavity.

Helping to make your life quiet and more efficient.

Whisper quiet washing.

Bosch dishwashers are amongst the quietest. With revolutionary **EcoSilence Drive™** there are dishwashers in the range which operate at 39 decibels. With the Silence programme selected, the noise is reduced even further.

Energy efficiency.

The opportunity to save energy is now even better. Innovative technology in our dishwashers gets the most out of every single drop of water. Our most energy-efficient dishwashers in Serie 8 and Serie 6 ranges boast an A+++ energy rating.

Save water every load.

The **ActiveWater™** technology in our dishwashers means it can take as little as 6.7 litres* of water to clean 13 place settings for a three-course meal**. That's less water than it takes to fill a standard sized kitchen sink.

Bosch dishwasher programmes.

PROGRAMME NAME	ITEMS SUITABLE FOR PROGRAMME	TYPE OF SOILING	ADDITIONAL OPERATIONAL OPTIONS
Economy 50°C	Mixed utensils & cutlery	Part dried, common household food remnants	All
Intensive 70°C	Pots, pans, non-sensitive utensils & cutlery	Very stubborn burned or dried-on food remains containing starch or protein	All
Auto 45-65°C	Mixed utensils & cutlery	Part dried, common household food remnants	All
Glass 40°C	Sensitive utensils, cutlery, temperature-sensitive plastic & glass	Lightly adhering, fresh food remains	IntensiveZone, VarioSpeedPlus, Half load, ExtraDry, Shine and Dry
Silence 50°C	Mixed utensils & cutlery	Part dried, common household food remnants.	IntensiveZone, Half load, HygienePlus, ExtraDry, Shine and Dry
Pre rinse***	All types of dishes.	Cold rinsing, intermediate cleaning.	None
Quick 45°C***	Sensitive utensils, cutlery, temperature-sensitive plastic & glass	Lightly adhering, fresh food remains	ExtraDry, Shine & Dry
1 Hour 65°C	Mixed utensils & cutlery	Part dried, common household food remnants.	ExtraDry, Shine & Dry
Short 60°C	Mixed utensils & cutlery	Part dried, common household food remnants	All
Normal 65°C	Pots, pans, non-sensitive utensils & cutlery	Very stubborn burned or dried-on food remains containing starch or protein	ExtraDry, Hygiene Plus, Intensive Zone, VarioSpeed Plus
Machine Care	Run when empty	Thoroughly cleans your machine - use in combination with a standard machine care detergent	None
Favourite	Available on all NEW 45cm dishwashers (available from July 2020)	Allows you to assign programme and option combinations to the Favourite programme via the Home Connect App	Pre-set favourite programme is pre-rinse

*6.7 litre water consumption on standard Economy 50°C programme.

**Three-course meal as defined by dinner, soup and dessert plate, cup and saucer, glass, knife, fork, soup, tea and dessert spoons for each place setting as well as 1 serving plate, 2 serving bowls, 2 serving spoons, 1 serving fork and 1 sauce spoon.

***Programme does not include drying in the cycle.

60cm dishwashers

Serie 8 +++

SMV68TD06G



Home Connect is a service offered by Home Connect GmbH.

For more information on Home Connect please visit www.bosch-home.co.uk

Tablet top-up

Amazon Dash Replenishment will automatically reorder your dishwasher tablets when your supply is running low. Simply activate Dash Replenishment in the **Home Connect** app and regain time spent shopping for supplies, as tablets will be automatically delivered to your doorstep. Another thing crossed off your to-do list.

Set up of Amazon dash Replenishment service is required



Explore more at www.bosch-home.co.uk

TYPE	FULLY INTEGRATED 60CM
DESIGN FAMILY	SERIE 8
MODEL NUMBER	SMV68TD06G
Highlights	Home Connect, PerfectDry, A+++ , Door open assist, TFT display, TimeLight, VarioDrawer Pro, VarioFlex Pro baskets
Control panel	Grey touch control with LCD display
Height (cm) / Hinge type	81.5 / Fixed
DESIGN FEATURES	
Home Connect WiFi connectivity	●
PerfectDry	●
Drying system	Zeolith*
Indicator projection on floor	TimeLight
Door open assist	●
Interior light	White
Basket type	VarioFlex Pro
VarioDrawer	VarioDrawer Pro
Adjustable upper basket	rackMatic 3 stage
Largest loadable dish upper / lower basket (cm)	21 / 31
Number of flip tines in upper / lower basket	6 / 8
Real-time clock	●
Start delay time max (h)	24
End of cycle indicator	Acoustic
Rinse aid & salt light indicators	●
Load / Aqua sensor technology	● / ●
Child safety	●
Self cleaning filter system	●
AquaStop 24 hour flood protection system	AquaStop 24 hour
PROGRAMMES / FUNCTIONS	
List of programmes	Eco 50°C, Intensive 70°C, Auto 45-65°C, Glass 40°C, Silence 50°C, Pre-Rinse, Quick 45°C, Short 60°C
Additional operational options	ExtraDry, Hygiene Plus, Intensive Zone, VarioSpeed Plus, Remote Start
Machine care	●
Number of different wash temperatures	6
TECHNICAL SPECIFICATIONS	
Reference programme for measurements	Eco 50°C
Energy efficiency class	A+++
Total annual energy (kWh) / water (litres) consumption ¹	237 / 2660
Energy (kWh) / water (litres) consumption ²	0.83 / 9.5
Number of place settings	14
Noise level (dB(A) re 1 pW)	41 (39 in Silence programme)
Total cycle time of reference programme (min)	195
Length of electrical supply cord (cm)	175
Length of inlet / outlet hose (cm)	165 / 190
Maximum height for installation (mm)	875
Maximum adjustability feet (mm)	60
Maximum width for installation (mm)	600
Width / depth of the product (mm)	598 / 550
Net weight / gross weight (kg)	52 / 54
Maximum accepted water hardness (°DH)	50
Maximum temperature for water intake (°C) ³	60
Interior cavity	Stainless steel
Included accessories	Large item spray head, Steam deflection plate

● Yes, model has this feature. - Feature not available for this model.
¹Based on 280 standard cleaning cycles using cold water fill, including consumption of the standby mode.
²The Consumption per cleaning cycle of the "Eco 50°" programme using cold water fill.
³We would recommend our dishwashers are connected to the mains water supply where possible. However, they may also be connected to an external water softener as long as the water softener produces softened water less than mmo/litre (7.0°e) and the water softener in the appliance is turned off. Please contact product advice for further information. Water pressure required: 0.5-10 Bar. Flow rate: 10 litres per minute. Inlet valve connected directly to ¾" screwed joint.



TYPE	FULLY INTEGRATED 60CM	FULLY INTEGRATED 60CM	FULLY INTEGRATED 60CM	FULLY INTEGRATED 60CM	FULLY INTEGRATED 60CM
DESIGN FAMILY	SERIE 6	SERIE 6	SERIE 6	SERIE 4	SERIE 4
MODEL NUMBER	SMV68ND00G	SMV68MD01G	SMV68ND02G	SBE46NX01G	SMV46NX00G
Highlights	PerfectDry, A+++ , Door open assist, TimeLight, VarioDrawer, VarioFlex baskets with coloured touch points	39dB, Heat exchanger, Door open assist, TimeLight, VarioDrawer, VarioFlex baskets with coloured touch points	6.7L, Heat exchanger, Door open assist, TimeLight, VarioDrawer, VarioFlex baskets with coloured touch points	86.5cm, Heat exchanger, InfoLight (red), VarioDrawer, VarioFlex baskets, VarioHinge	A++ , 9.5L, Heat exchanger, InfoLight (red), VarioDrawer, VarioFlex baskets
Control panel	Grey touch control with LED display	Grey touch control with LED display	Grey touch control with LED display	Stainless steel push button with LED display	Stainless steel push button with LED display
Height (cm) / Hinge type	81.5 / Fixed	81.5 / Fixed	81.5 / Fixed	86.5 / VarioHinge	81.5 / Fixed
DESIGN FEATURES					
Home Connect WiFi connectivity	-	-	-	-	-
PerfectDry	●	-	-	-	-
Drying system	Zeolith*	Heat Exchanger	Heat Exchanger	Heat Exchanger	Heat Exchanger
Indicator projection on floor	TimeLight	TimeLight	TimeLight	InfoLight (red)	InfoLight (red)
Door open assist	●	●	●	-	-
Interior light	-	-	-	-	-
Basket type	VarioFlex with coloured touch points	VarioFlex with coloured touch points	VarioFlex with coloured touch points	VarioFlex	VarioFlex
VarioDrawer	VarioDrawer	VarioDrawer	VarioDrawer	VarioDrawer	VarioDrawer
Adjustable upper basket	3-Stage Rackmatic™	3-Stage Rackmatic™	3-Stage Rackmatic™	3-Stage Rackmatic™	3-Stage Rackmatic™
Largest loadable dish upper / lower basket (cm)	21 / 31	21 / 31	21 / 31	23 / 34	21 / 31
Number of flip tines in upper / lower basket	2 / 4	2 / 4	2 / 4	2 / 4	2 / 4
Real-time clock	-	-	-	-	-
Start delay time max (h)	24	24	24	24	24
End of cycle indicator	Acoustic	Acoustic	Acoustic	Acoustic	Acoustic
Rinse aid & salt light indicators	●	●	●	●	●
Load / Aqua sensor technology	● / ●	● / ●	● / ●	● / ●	● / ●
Child safety	●	●	●	●	●
Self cleaning filter system	●	●	●	●	●
AquaStop 24 hour flood protection system	AquaStop 24 hour	AquaStop 24 hour	AquaStop 24 hour	AquaStop 24 hour	AquaStop 24 hour
PROGRAMMES / FUNCTIONS					
List of programmes	Eco 50°C, Intensive 70°C, Auto 45-65°C, Glass 40°C, Silence 50°C, Pre-Rinse, Quick 45°C, Short 60°C	Eco 50°C, Intensive 70°C, Auto 45-65°C, Glass 40°C, Silence 50°C, Pre-Rinse, Quick 45°C, 1 Hour 65°C	Eco 50°C, Intensive 70°C, Auto 45-65°C, Glass 40°C, Silence 50°C, Pre-Rinse, Quick 45°C, 1 Hour 65°C	Eco 50°C, Intensive 70°C, Auto 45-65°C, Glass 40°C, Quick 45°C, 1 Hour 65°C	Eco 50°C, Intensive 70°C, Auto 45-65°C, Glass 40°C, Quick 45°C, 1 Hour 65°C
Additional operational options	ExtraDry, Hygiene Plus, Intensive Zone, VarioSpeed Plus	ExtraDry, Hygiene Plus, Intensive Zone, VarioSpeed Plus	ExtraDry, Hygiene Plus, Intensive Zone, VarioSpeed Plus	ExtraDry, Hygiene Plus, VarioSpeed Plus	ExtraDry, Hygiene Plus, VarioSpeed Plus
Machine care	●	●	●	●	●
Number of different wash temperatures	6	5	5	5	5
TECHNICAL SPECIFICATIONS					
Reference programme for measurements	Eco 50°C	Eco 50°C	Eco 50°C	Eco 50°C	Eco 50°C
Energy efficiency class	A+++	A+	A++	A++	A++
Total annual energy (kWh) / water (litres) consumption ¹	211 / 2156	299 / 2660	262 / 1876	266 / 2660	266 / 2660
Energy (kWh) / water (litres) consumption ²	0.73 / 7.7	1.05 / 9.5	0.92 / 6.7	0.93 / 9.5	0.93 / 9.5
Number of place settings	13	14	13	14	14
Noise level (dB(A) re 1 pW)	44 (42 in Silence programme)	39 (37 in Silence programme)	44 (41 in Silence programme)	46	46
Total cycle time of reference programme (min)	225	195	235	225	225
Length of electrical supply cord (cm)	175	175	175	175	175
Length of inlet / outlet hose (cm)	165 / 190	165 / 190	165 / 190	165 / 190	165 / 190
Maximum height for installation (mm)	875	875	875	925	875
Maximum adjustability feet (mm)	60	60	60	60	60
Maximum width for installation (mm)	600	600	600	600	600
Width / depth of the product (mm)	598 / 550	598 / 550	598 / 550	598 / 550	598 / 550
Net weight / gross weight (kg)	41 / 44	47 / 49	40 / 42	37 / 40	35 / 37
Maximum accepted water hardness (°DH)	50	50	50	50	50
Maximum temperature for water intake (°C) ³	60	60	60	60	60
Interior cavity	Stainless steel	Stainless steel	Stainless steel	Stainless steel	Stainless steel
Included accessories	Large item spray head, Steam deflection plate	Large item spray head, Steam deflection plate	Large item spray head, Steam deflection plate	Large item spray head, Steam deflection plate	Large item spray head, Steam deflection plate

● Yes, model has this feature. - Feature not available for this model.
¹Based on 280 standard cleaning cycles using cold water fill, including consumption of the standby mode.
²The Consumption per cleaning cycle of the "Eco 50°" programme using cold water fill.
³We would recommend our dishwashers are connected to the mains water supply where possible. However, they may also be connected to an external water softener as long as the water softener produces softened water less than mmo/litre (7.0°e) and the water softener in the appliance is turned off. Please contact product advice for further information. Water pressure required: 0.5-10 Bar. Flow rate: 10 litres per minute. Inlet valve connected directly to ¾" screwed joint.

All models comply with COMMISSION REGULATION (EC) No 1275/2008 with regard to ecodesign requirements for standby and off mode electric power consumption.

Making **life easy** through innovative technologies

60cm dishwashers



TYPE	FULLY INTEGRATED 60CM	FULLY INTEGRATED 60CM	FULLY INTEGRATED 60CM	FULLY INTEGRATED 60CM
DESIGN FAMILY	SERIE 4	SERIE 2	SERIE 2	SERIE 2
MODEL NUMBER	SMV46JX00G	SMV50C10GB	SMV40C30GB	SMV40C00GB
Highlights	A++, 9.5L, Heat exchanger, InfoLight (red), VarioFlex baskets	Residual drying, InfoLight (red), Vario baskets, 48dB	Residual drying, InfoLight (red), Vario baskets	Residual drying, InfoLight (red)
Control panel	Stainless steel push button with LED display	Black tap through control with LED indicators	Black tap through control with LED indicators	Black tap through control with LED indicators
Height (cm) / Hinge type	81.5 / Fixed	81.5 / Fixed	81.5 / Fixed	81.5 / Fixed
DESIGN FEATURES				
Home Connect WiFi connectivity	-	-	-	-
PerfectDry	-	-	-	-
Drying system	Heat Exchanger	Residual	Residual	Residual
Indicator projection on floor	InfoLight (red)	InfoLight (red)	InfoLight (red)	InfoLight (red)
Door open assist	-	-	-	-
Interior light	-	-	-	-
Basket type	VarioFlex	Vario	Vario	Normal grey
VarioDrawer	-	-	-	-
Adjustable upper basket	3-Stage Rackmatic™	Adjustable when empty	Adjustable when empty	-
Largest loadable dish upper / lower basket (cm)	27 / 31	27 / 31	27 / 31	22 / 30
Number of flip tines in upper / lower basket	2 / 4	0 / 2	0 / 2	0 / 0
Real-time clock	-	-	-	-
Start delay time max (h)	24	9	9	-
End of cycle indicator	Acoustic	Acoustic	Acoustic	Acoustic
Rinse aid & salt light indicators	●	●	●	●
Load / Aqua sensor technology	● / ●	● / -	● / -	● / -
Child safety	-	-	-	-
Self cleaning filter system	●	●	●	●
AquaStop 24 hour flood protection system	AquaStop 24 hour	AquaStop 24 hour	AquaStop 24 hour	AquaStop 24 hour
PROGRAMMES / FUNCTIONS				
List of programmes	Eco 50°C, Intensive 70°C, Auto 45-65°C, Glass 40°C, Quick 45°C, 1 Hour 65°C	Eco 50°C, Intensive 70°C, Normal 65°C, Pre-Rinse, Quick 45°C	Eco 50°C, Normal 65°C, Pre-Rinse, Quick 45°C	Eco 50°C, Normal 65°C, Pre-Rinse, Quick 45°C
Additional operational options	ExtraDry, Hygiene Plus, VarioSpeed Plus	VarioSpeed	VarioSpeed	-
Machine care	●	-	-	-
Number of different wash temperatures	5	4	3	3
TECHNICAL SPECIFICATIONS				
Reference programme for measurements	Eco 50°C	Eco 50°C	Eco 50°C	Eco 50°C
Energy efficiency class	A++	A+	A+	A+
Total annual energy (kWh) / water (litres) consumption ¹	262 / 2660	290 / 3300	290 / 3300	290 / 3920
Energy (kWh) / water (litres) consumption ²	0.92 / 9.5	1.02 / 11.7	1.02 / 11.7	1.02 / 14.0
Number of place settings	13	12	12	12
Noise level (dB(A) re 1 pW)	48	48	50	54
Total cycle time of reference programme (min)	225	210	210	210
Length of electrical supply cord (cm)	175	175	175	175
Length of inlet / outlet hose (cm)	165 / 190	165 / 190	165 / 190	165 / 190
Maximum height for installation (mm)	875	875	875	875
Maximum adjustability feet (mm)	60	60	60	60
Maximum width for installation (mm)	600	600	600	600
Width / depth of the product (mm)	598 / 550	598 / 550	598 / 550	598 / 550
Net weight / gross weight (kg)	34 / 37	29 / 31	29 / 31	28 / 31
Maximum accepted water hardness (°DH)	50	35	35	50
Maximum temperature for water intake (°C) ³	60	60	60	60
Interior cavity	Stainless steel	Stainless steel / Polinox base	Stainless steel / Polinox base	Stainless steel / Polinox base
Included accessories	Large item spray head, Steam deflection plate	Large item spray head, Steam deflection plate	Large item spray head, Steam deflection plate	Large item spray head, Steam deflection plate

● Yes, model has this feature. - Feature not available for this model.

¹Based on 280 standard cleaning cycles using cold water fill, including consumption of the standby mode.

²The Consumption per cleaning cycle of the "Eco 50" programme using cold water fill.

³We would recommend our dishwashers are connected to the mains water supply where possible.

However, they may also be connected to an external water softener as long as the water softener produces softened water less than mmo/litre (7.0°e) and the water softener in the appliance is turned off.

Please contact product advice for further information.

Water pressure required: 0.5-10 Bar. Flow rate: 10 litres per minute. Inlet valve connected directly to ¾" screwed joint.

SEMI INTEGRATED 60CM	SEMI INTEGRATED 60CM	SEMI INTEGRATED 60CM	SEMI INTEGRATED 60CM
SERIE 8	SERIE 2	SERIE 2	SERIE 2
SMI68NS06G	SMI50C16GB	SMI50C15GB	SMI50C12GB
Home Connect, TFT display, VarioFlex baskets, VarioDrawer, Interior EmotionLight	Auto 45-65°C Programme, Half load, VarioSpeed	Auto 45-65°C Programme, Half load, VarioSpeed	Auto 45-65°C Programme, Half load, VarioSpeed
Stainless steel control panel with TFT display	Black control panel	Stainless steel control panel	White control panel
81.5 / Fixed	81.5 / Fixed	81.5 / Fixed	81.5 / Fixed
DESIGN FEATURES			
●	-	-	-
-	-	-	-
Heat Exchanger	Residual	Residual	Residual
-	-	-	-
-	-	-	-
White	-	-	-
VarioFlex with coloured touch points	Vario	Vario	Vario
VarioDrawer	-	-	-
3-Stage Rackmatic™	Adjustable when empty	Adjustable when empty	Adjustable when empty
21 / 31	27 / 31	27 / 31	27 / 31
2 / 4	0 / 2	0 / 2	0 / 2
●	-	-	-
24	24	24	24
Acoustic	-	-	-
●	●	●	●
● / ●	● / ●	● / ●	● / ●
●	●	●	●
●	●	●	●
AquaStop 24 hour	AquaStop 24 hour	AquaStop 24 hour	AquaStop 24 hour
PROGRAMMES / FUNCTIONS			
Eco 50°C, Intensive 70°C, Auto 45-65°C, Glass 40°C, Silence 50°C, Pre-Rinse, Quick 45°C, 1 Hour 65°C	Eco 50°C, Intensive 70°C, Auto 45-65°C, Pre-Rinse, Quick 45°C	Eco 50°C, Intensive 70°C, Auto 45-65°C, Pre-Rinse, Quick 45°C	Eco 50°C, Intensive 70°C, Auto 45-65°C, Pre-Rinse, Quick 45°C
ExtraDry, Hygiene Plus, VarioSpeed Plus, Remote Start	Half Load, VarioSpeed	Half Load, VarioSpeed	Half Load, VarioSpeed
●	-	-	-
5	4	4	4
TECHNICAL SPECIFICATIONS			
Eco 50°C	Eco 50°C	Eco 50°C	Eco 50°C
A++	A+	A+	A+
266 / 2660	290 / 2660	290 / 2660	290 / 2660
0.93 / 9.5	1.02 / 9.5	1.02 / 9.5	1.02 / 9.5
14	12	12	12
44 (41 in Silence programme)	46	46	46
225	210	210	210
175	175	175	175
165 / 190	165 / 190	165 / 190	165 / 190
875	875	875	875
60	60	60	60
600	600	600	600
598 / 550	598 / 550	598 / 550	598 / 550
35 / 38	34 / 36	33 / 35	33 / 35
50	50	50	50
60	60	60	60
Stainless steel	Stainless steel / Polinox base	Stainless steel / Polinox base	Stainless steel / Polinox base
Large item spray head, Steam deflection plate	Large item spray head, Steam deflection plate	Large item spray head, Steam deflection plate	Large item spray head, Steam deflection plate

● Yes, model has this feature. - Feature not available for this model.

¹Based on 280 standard cleaning cycles using cold water fill, including consumption of the standby mode.

²The Consumption per cleaning cycle of the "Eco 50" programme using cold water fill.

³We would recommend our dishwashers are connected to the mains water supply where possible.

However, they may also be connected to an external water softener as long as the water softener produces softened water less than mmo/litre (7.0°e) and the water softener in the appliance is turned off.

Please contact product advice for further information.

Water pressure required: 0.5-10 Bar. Flow rate: 10 litres per minute. Inlet valve connected directly to ¾" screwed joint.

All models comply with COMMISSION REGULATION (EC) No 1275/2008 with regard to ecodesign requirements for standby and off mode electric power consumption.

Slimline dishwashers



Available July 2020



Available July 2020

TYPE	FULLY INTEGRATED 45CM	FULLY INTEGRATED 45CM
DESIGN FAMILY	SERIE 4	SERIE 2
MODEL NUMBER	SPV4EMX21G	SPV2HKX39G
Highlights	Home Connect, A+++, TimeLight, EfficientDry, VarioFlex baskets, VarioDrawer	Home Connect, Heat exchanger, InfoLight (Red), ExtraDry, Vario baskets
Control panel	Stainless steel push button with LED display	Black push button with LED display
Height (cm) / Hinge type	81.5 / Fixed	81.5 / Fixed
DESIGN FEATURES		
Home Connect WiFi connectivity	●	●
PerfectDry	-	-
Drying system	Heat Exchanger	Heat Exchanger
Indicator projection on floor	TimeLight	InfoLight
Door open assist	-	-
Interior light	-	-
Basket type	VarioFlex	Vario
VarioDrawer	VarioDrawer	-
Adjustable upper basket	3-Stage Rackmatic™	3-Stage Rackmatic™
Largest loadable dish upper / lower basket (cm)	21 / 31	21 / 31
Number of flip tines in upper / lower basket	2 / 2	- / 2
Real-time clock	-	-
Start delay time max (h)	24	9
End of cycle indicator	Acoustic	Acoustic
Rinse aid & salt light indicators	●	●
Load / Aqua sensor technology	● / ●	● / ●
Child safety	-	-
Self cleaning filter system	●	●
AquaStop 24 hour flood protection system	AquaStop 24 hour	AquaStop 24 hour
PROGRAMMES / FUNCTIONS		
List of programmes	Eco 50°C, Intensive 70°C, Auto 45-65°C, Silence 50°C, Quick 65°C, Favourite	Eco 50°C, Intensive 70°C, Auto 45-65°C, Quick 45°C, Favourite
Additional operational options	EfficientDry, Intensive Zone, VarioSpeed Plus, Remote Start	ExtraDry, VarioSpeed Plus, Remote Start
Machine care	●	●
Number of different wash temperatures	4	4
TECHNICAL SPECIFICATIONS		
Reference programme for measurements	Eco 50°C	Eco 50°C
Energy efficiency class	A++	A+
Total annual energy (kWh) / water (litres) consumption ¹	211 / 2660	220 / 2380
Energy (kWh) / water (litres) consumption ²	0.74 / 9.5	0.77 / 8.5
Number of place settings	10	9
Noise level (dB(A) re 1 pW)	45 (42 in Silence programme)	48
Total cycle time of reference programme (min)	210	220
Length of electrical supply cord (cm)	175	175
Length of inlet / outlet hose (cm)	165 / 205	165 / 205
Maximum height for installation (mm)	875	875
Maximum adjustability feet (mm)	60	60
Maximum width for installation (mm)	450	450
Width / depth of the product (mm)	448 / 550	448 / 550
Net weight / gross weight (kg)	32 / 34	30 / 32
Maximum accepted water hardness (°DH)	50	35
Maximum temperature for water intake (°C) ³	60	60
Interior cavity	Stainless steel	Stainless steel
Included accessories	Large item spray head, Steam deflection plate	Large item spray head, Steam deflection plate

● Yes, model has this feature. - Feature not available for this model.

¹ Based on 280 standard cleaning cycles using cold water fill, including consumption of the standby mode.² The Consumption per cleaning cycle of the "Eco 50°" programme using cold water fill.³ We would recommend our dishwashers are connected to the mains water supply where possible.

However, they may also be connected to an external water softener as long as the water softener produces softened water less than mmol/litre (7.0°e) and the water softener in the appliance is turned off.

Please contact product advice for further information.

Water pressure required: 0.5-10 Bar. Flow rate: 10 litres per minute. Inlet valve connected directly to ½" screwed joint.

For full specification details, please log onto our website and download a full specification sheet.

Explore more at www.bosch-home.co.uk

Introducing the Bosch refrigeration range.

Save more, waste less. Our range of built-in fridge freezers save you money thanks to their energy efficiency ratings. They are also packed with innovative technology to keep your food fresher for longer, so you'll throw out less and save on your weekly shopping bill.

To help you choose the right appliance, we have divided them into the four ranges below.

Serie 8 +++

Cutting-edge design meets advanced technologies. All models in our **Serie 8** range are packed with energy efficient and labour saving features that save valuable time, effort and money – perfect for modern, busy households.

Serie 6 ++

Our **Serie 6** range of appliances combines energy efficient performance with convenient storage and superior food preservation.

Serie 4 +

All models in our **Serie 4** range combine practical features with Bosch build quality.

Serie 2

Built to keep electricity costs down. With energy efficiency an increasing priority in homes, the **Serie 2** refrigeration range is just as efficient as it is value for money.



Fridge freezer: KIF86PF30

Making **life easy** through innovative technologies

Selecting the right Refrigeration for you



Built-in fridge freezer

Built-in fridge freezers blend seamlessly into your kitchen cabinets, making it easy to access your chilled food, and still providing plenty of storage for your frozen goods. Select from a variety of options to suit your needs for either larger fridge or freezer.



Built-in fridge

Built-in fridges built into your kitchen cabinets. Add to the expanded space you have for keeping your chilled food fresh.



Built-in freezer

Bosch has a wide range of built-in freezers to suit every size of kitchen. From tall upright freezers to compact under counter models, all Bosch freezers are built to maximise storage space and minimise energy consumption.



Built-under fridge and freezer

Our built-under fridges and freezers are ideal for those limited on space within the kitchen. Under-counter cooling solutions will allow you to have easy access to your chilled food whilst discreetly tucked behind the door.



American-style fridge freezer

American-style refrigerators are stylish and spacious, giving you copious amounts of room to store your chilled and frozen food. In addition to the premium design, some of these fridge freezers also contain great features such as ice and chilled water dispensers or, if you don't have a water connection select our model with a built-in water tank.

Hinges to fit in with your kitchen.

Fixed hinge

Fixed hinges allow heavier furniture doors to be fitted to the appliance, ideal for kitchen cabinets made from heavier hard wood. This also allows the door to be open at a wider angle, making the whole fridge cavity easily accessible.



Sliding hinge

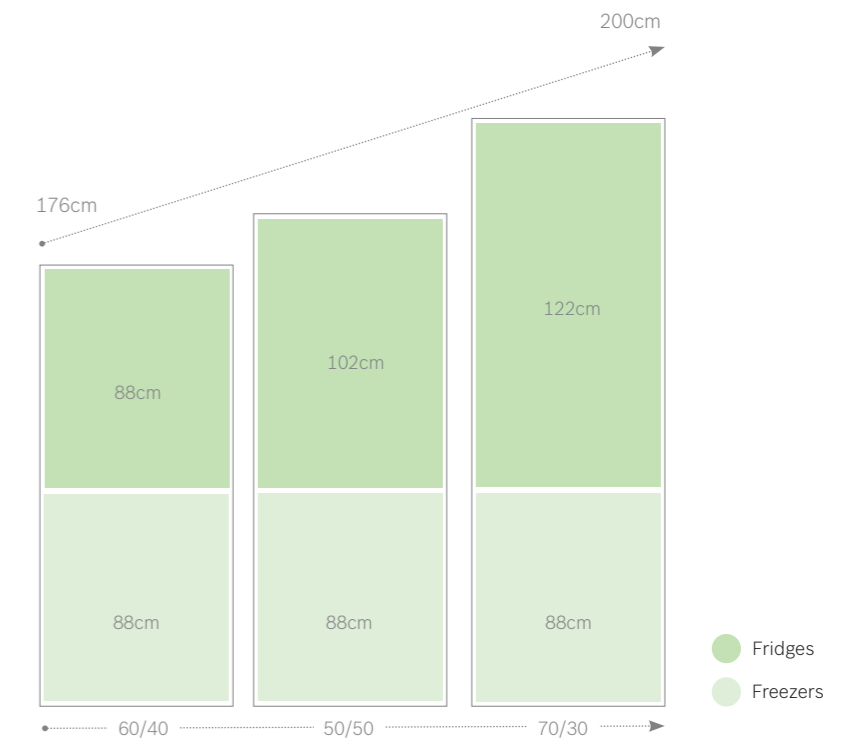
Sliding hinges are designed for integrated kitchens and are designed to sit between the appliance and the kitchen furniture, which is secured by a number of brackets. As you open the furniture door, the appliance door also opens thanks to the series of brackets.



Find the perfect combination for your kitchen.

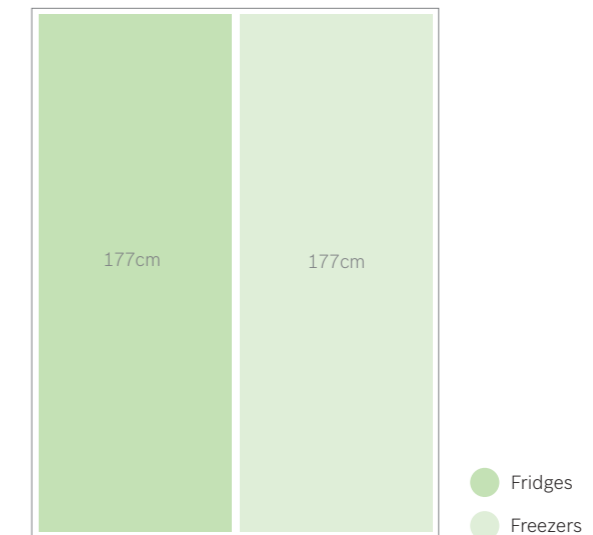
Over/under

Our over/under installation options are tailored to suit every family household need so you can conveniently 'stack' your fridge and freezer to ensure this. For those who shop little and often, try a smaller capacity fridge and freezer which doesn't impact on space. If you have a busy household and do a full weekly shop, a spacious 50/50 fridge freezer would be ideal.



Side by side

Single door fridges and freezers are designed to sit side by side to give you the double door effect. With hinges that can be fitted to either side of the appliances, you can choose which side you would like your fridge and freezer. Of course, if you want your appliances separate this is possible as well.



Whichever model you choose, you'll find a lot of reasons to love our Bosch cooling appliances.

NoFrost.

Never worry about having to defrost the freezer again. The NoFrost system prevents the build up of ice by automatically initiating the defrost operation as required. This also helps to maintain the appliance's energy efficiency.



LowFrost.

LowFrost cuts ice build up by half meaning you have to defrost your freezer less often, compared to approximately every 3 months for a static freezer, saving you energy and time.

SuperFreeze & SuperCool.

Activating the SuperFreeze function before you go shopping lowers the temperature for a short period, so anything new put into the freezer is frozen quickly. SuperCool on your fridge performs a similar task, keeping everything at the right storage temperature.

Save time with flexible storage.

Put away the weekly shop more easily, and get what you need faster too, thanks to height adjustable shelves and fully extendable drawers. The **EasyLift door shelf** can be raised to make space for taller items to be stored in the door. The **EasyAccess shelf** can be conveniently extended so you can more easily view the food in your fridge.

More space.

Our freezers are extra spacious meaning you will find it easy to fit everything in – perfect for busy households. The extra large **BigBox** is big enough for large bulky items.

VitaFresh

With **VitaFresh**, you'll be able to store your fruit and vegetables safely to lock in the freshness. And with an adjustable humidity setting on the drawer, you'll be keeping your fresh food in a perfectly controlled environment.

You'll also find two drawers, one for fish and one for meat, with a temperature regulating slider which lets you lower the temperature up to 4°C lower than the rest of the fridge.

VitaFresh^{plus}

The **Serie 6** fridge-freezers help you to live healthier. They not only offer you plenty of room for lots of fresh foods, drinks and even big pots and bowls, but also the technology to store it optimally.

The **VitaFresh plus** freshness system guarantees ideal storage conditions at any time and ensures that fish, meat, fruit and vegetables stay fresher for longer. This makes our Serie 6 fridge-freezer not only optimal for your food, but also for yourself.

VitaFresh plus models have the added benefit of a convenient push button for humidity control.

VitaFresh^{pro}

The **Serie 8** fridges feature our best freshness system **VitaFresh pro**. It keeps food fresher for longer with temperatures from -1°C to +3°C while maintaining the perfect humidity level.

This combination of temperature and humidity helps you to protect all the aromas, essential nutrients and valuable vitamins in your fresh food. Hence, it is easier than ever to maintain a healthy diet with fresh fruit and vegetables every day.



Explanation of Refrigeration Icons.

(Check model for available functions.)



NoFrost

Never defrost again, thanks to perfect protection from ice formation that saves time and effort.



LowFrost

Defrost less often thanks to lower ice formation, saves work and is energy-efficient.



BigBox

An extra-deep frozen food drawer for practical stacking of frozen foods containers or large frozen items like gateaux or pizzas.



MultiBox

Transparent drawer with wave bottom, ideal for the storage of fruits and vegetables.



SuperCool

Activating the SuperCooling function before you go shopping lowers the temperature for a short period, so your fresh shopping is kept at the right temperature.



Safety Glass

Strong glass shelves ensure heavier items can be stored safely.



EasyShelf Access

The shatterproof, frameless glass shelves are particularly easy to use, thanks to the smooth pull-out mechanism. And they also give you a clear view of your food at any time.



Fingerprint Free

Your appliance will stay fingerprint free and looking clean and fresh.

American fridge freezers

Energy efficient.

365 days a year, 24 hours a day, fridges and freezers are always on. In fact, they make up around 17% of the electricity used in the home, or even more if it's a particularly old model.* That's why we design our fridges and freezers to be as energy efficient as possible, and we're proud to be able to offer so many right across our ranges.

Quietly does it.

As there could be many small and larger hands opening and shutting the fridge door, it's nice to know that we've integrated **SoftClosing doors** in many models – so doors do not get accidentally left open.

*Source: www.greenchoices.org/green-living/at-home/fridges-freezers



Easy to Clean Magnetic Door Seals

The magnetic door seals on all of our refrigeration ranges are **removable**, making them easy to clean and/or replace when necessary.



Serie 8 +++

KAD92HBFP



TYPE	AMERICAN
DESIGN FAMILY	SERIE 8
MODEL NUMBER	KAD92HBFP
Colour of door panels	Black glass
Colour of sides	Cast iron
Style of handle	Vertical bar handle
Colour of handle	Stainless steel
noFrost in fridge and freezer	●
Home Connect, WiFi dongle included	● - Camera in fridge
FOOD FRESHNESS SYSTEM	
VitaFresh	1 VitaFresh plus drawer with telescopic rails 1 MultiBox drawer with telescopic rails 1 Chiller drawer
KEY FEATURES – FRIDGE SECTION	
Product highlights	LED
SuperCool function	●
Type of control	Electronic
Number of shelves	4
Number of adjustable shelves	3
Shelves for bottles	1
Number of door bins / shelves	6
Temperature display	Digital
Warning signal door open	●
KEY FEATURES – FREEZER SECTION	
Door opened indicator	●
SuperFreeze function	●
Temperature adjustable in freezer	●
Number of ice cube trays	Automatic ice cube maker
Ice dispenser features	Crushed ice, Ice cubes, Water, Water filter
Number of freezer drawers	2
ADDITIONAL INFORMATION	
Energy efficiency class	A++
Energy consumption annual kWh ¹	348
Total net capacity (litres)	540
Refrigerator net capacity (litres)	367
Freezer net capacity (litres)	173
Climate class ²	SN-T
Noise level dB(A) re 1 pW	42 dB
Additional accessories included	1 x connection hose, 2 x ice packs, 3 x egg trays
Height of product (mm)	1778
Width of product (mm)	912
Depth of product (mm)	732

● = yes - = no
¹Actual energy consumption will depend on how the appliance is used and where it is located.
²Climate zone SN = designed to operate in ambient temperature of +10°C to 32°C.
 Climate zone T = designed to operate in ambient temperature of +18°C to 43°C.



American fridge freezers



Available September 2020

TYPE	AMERICAN	AMERICAN	AMERICAN
DESIGN FAMILY	SERIE 6	SERIE 6	SERIE 6
MODEL NUMBER	KAG93AIEPG	KAG90AI20G	KAD93VIFPG
Colour of door panels	Stainless steel, easy clean	Stainless steel, easy clean	Stainless steel, easy clean
Colour of sides	Grey	Grey	Grey
Style of handle	Vertical bar handle	Vertical bar handle	Vertical bar handle
Colour of handle	Stainless steel	Stainless steel	Stainless steel
NoFrost in fridge and freezer	●	●	●
Home Connect, WiFi dongle included	-	-	-
FOOD FRESHNESS SYSTEM			
VitaFresh	2 MultiBox drawers on rails	2 MultiBox drawers on rails	2 MultiBox drawers on rails
KEY FEATURES – FRIDGE SECTION			
Product highlights	LED	LED	LED
SuperCool function	●	●	●
Type of control	Electronic	Electronic	Electronic
Number of shelves	5	3	5
Number of adjustable shelves	-	1	-
Shelves for bottles	1	-	-
Number of door bins / shelves	5	4	5
Temperature display	Digital	Digital	Digital
Warning signal door open	●	●	●
KEY FEATURES – FREEZER SECTION			
Door opened indicator	●	●	●
SuperFreeze function	●	●	●
Temperature adjustable in freezer	●	●	●
Number of ice cube trays	Automatic ice cube maker	Automatic ice cube maker	Automatic ice cube maker
Ice dispenser features	Crushed ice, Homebar, Ice cubes, Water, Water filter	Crushed ice, Homebar, Ice cubes, Water, Water filter	Crushed ice, Ice cubes, Water, Water filter
Number of freezer drawers	2	2	2
ADDITIONAL INFORMATION			
Energy efficiency class	A++	A+	A+
Energy consumption annual kWh ¹	343	432	436
Total net capacity (litres)	531	522	533
Refrigerator net capacity (litres)	366	359	368
Freezer net capacity (litres)	165	157	165
Climate class ²	SN-T	SN-T	SN-T
Noise level dB(A) re 1 pW	42 dB	43	42 dB
Additional accessories included	1 x connection hose, 1 x egg tray	1 x connection hose, 1 x egg tray	1 x connection hose, 1 x egg tray
Height of product (mm)	1787	1770	1787
Width of product (mm)	908	910	908
Depth of product (mm)	707	720	707

● = yes - = no
¹Actual energy consumption will depend on how the appliance is used and where it is located.
²Climate zone SN = designed to operate in ambient temperature of +10°C to 32°C.
 Climate zone T = designed to operate in ambient temperature of +18°C to 43°C.

TYPE	AMERICAN	AMERICAN	AMERICAN
DESIGN FAMILY	SERIE 6	SERIE 6	SERIE 4
MODEL NUMBER	KAD93VBFPG	KAI93VIFPG	KAN93VIFPG
Colour of door panels	Black	Stainless steel, easy clean	Stainless steel, easy clean
Colour of sides	Grey	Grey	Grey
Style of handle	Vertical bar handle	Vertical bar handle	Vertical bar handle
Colour of handle	Stainless steel	Stainless steel	Stainless steel
NoFrost in fridge and freezer	●	●	●
Home Connect, WiFi dongle included	-	-	-
FOOD FRESHNESS SYSTEM			
VitaFresh	2 MultiBox drawers on rails	2 MultiBox drawers on rails	2 MultiBox drawers on rails
KEY FEATURES – FRIDGE SECTION			
Product highlights	LED	LED	LED
SuperCool function	●	●	●
Type of control	Electronic	Electronic	Electronic
Number of shelves	5	5	5
Number of adjustable shelves	-	-	-
Shelves for bottles	-	-	-
Number of door bins / shelves	5	5	5
Temperature display	Digital	Digital	Digital
Warning signal door open	●	●	●
KEY FEATURES – FREEZER SECTION			
Door opened indicator	●	●	●
SuperFreeze function	●	●	●
Temperature adjustable in freezer	●	●	●
Number of ice cube trays	Automatic ice cube maker	Automatic ice cube maker	Twist ice box
Ice dispenser features	Crushed ice, Ice cubes, Water, Water filter	Crushed ice, Ice cubes, Water	-
Number of freezer drawers	2	2	2
ADDITIONAL INFORMATION			
Energy efficiency class	A+	A++	A++
Energy consumption annual kWh ¹	436	343	363
Total net capacity (litres)	533	533	560
Refrigerator net capacity (litres)	368	368	371
Freezer net capacity (litres)	165	165	189
Climate class ²	SN-T	SN-T	SN-T
Noise level dB(A) re 1 pW	42 dB	42 dB	42 dB
Additional accessories included	1 x connection hose, 1 x egg tray	1 x egg tray	1 x egg tray
Height of product (mm)	1787	1787	1787
Width of product (mm)	908	908	908
Depth of product (mm)	707	707	707

● = yes - = no
¹Actual energy consumption will depend on how the appliance is used and where it is located.
²Climate zone SN = designed to operate in ambient temperature of +10°C to 32°C.
 Climate zone T = designed to operate in ambient temperature of +18°C to 43°C.

All models comply with COMMISSION REGULATION (EC) No 1275/2008 with regard to ecodesign requirements for standby and off mode electric power consumption.

NoFrost bottom freezers

Serie 8 +++

KIF86PFEO



Available September 2020

Available September 2020

TYPE	BOTTOM FREEZER	BOTTOM FREEZER
DESIGN FAMILY	SERIE 8	SERIE 8
MODEL NUMBER	KIF86PFEO	KIF86PF30
Fridge / Freezer split	60 / 40	60 / 40
NoFrost	●	●
LowFrost or Manual defrost	-	-
Soft Close hinge	-	-
Type of hinge (reversible)	Fixed hinge	Fixed hinge
Home Connect	-	-
FOOD FRESHNESS SYSTEM		
VitaFresh	2 VitaFresh Pro 0°C drawers	2 VitaFresh Pro 0°C drawers
KEY FEATURES – FRIDGE SECTION		
Light	LED	LED
SuperCool function	●	●
Type of control	Electronic	Electronic
Number of shelves	3	3
Number of adjustable shelves	2	2
Number of door bins / shelves	2	2
Type of shelves	Safety glass	Safety glass
Temperature display	Digital 7 segment	Digital 7 segment
Warning signal door open	●	●
Bottle shelves in fridge	-	-
KEY FEATURES – FREEZER SECTION		
Door opened indicator	●	●
SuperFreeze function	●	●
Temperature adjustable in freezer	●	●
Number of ice cube trays	1	1
Number of freezer drawers	3	3
ADDITIONAL INFORMATION		
Energy efficiency class	A++	A++
Energy consumption annual kWh ¹	232	232
Total net capacity (litres)	223	223
Refrigerator net capacity 4°C-8°C (litres)	101	101
Refrigerator net capacity 0°C (litres)	55	55
Freezer net capacity (litres)	67	67
Climate class ²	SN-ST	SN-ST
Noise level dB(A) re 1 pW	36	36
Additional accessories included	2 x ice packs, 3 x egg tray, 1 x ice cube tray with lid, 1 x bottle holder in door tray	2 x ice packs, 3 x egg tray, 1 x ice cube tray with lid, 1 x bottle holder in door tray
Height of product (mm)	1772	1772
Width of product (mm)	558	558
Depth of product (mm)	545	545

● = yes - = no
¹ Actual energy consumption will depend on how the appliance is used and where it is located
² Climate zone SN = designed to operate in ambient temperature of +10°C to 32°C
 Climate zone T = designed to operate in ambient temperature of +18°C to 43°C



0°C – the perfect temperature.

Keeping vitamin-full food fresher for longer

Two compartments near 0°C and a hermetic seal create perfect storage conditions in two different humidity zones:

- Fruit & Vegetables (3 humidity settings via convenient Jog Dial – fruits, vegetables or mixed load)
- Fish & Meat (low humidity)



Available September 2020

Available September 2020

Available September 2020

TYPE	BOTTOM FREEZER	BOTTOM FREEZER	BOTTOM FREEZER	BOTTOM FREEZER	BOTTOM FREEZER	BOTTOM FREEZER
DESIGN FAMILY	SERIE 6	SERIE 6	SERIE 6	SERIE 6	SERIE 4	SERIE 4
MODEL NUMBER	KIN86AFFOG	KIN86AD30G	KIN85AFE0G	KIN85AF30G	KIN86VFFOG	KIN86VF30G
Fridge / Freezer split	60 / 40	60 / 40	50 / 50	50 / 50	60 / 40	60 / 40
NoFrost	●	●	●	●	●	●
LowFrost or Manual defrost	-	-	-	-	-	-
Soft Close hinge	●	●	-	-	-	-
Type of hinge (reversible)	Fixed hinge	Fixed hinge	Fixed hinge	Fixed hinge	Fixed hinge	Fixed hinge
Home Connect	-	-	-	-	-	-
FOOD FRESHNESS SYSTEM						
VitaFresh	1 VitaFresh plus drawer	1 VitaFresh plus drawer	1 VitaFresh plus drawer	1 VitaFresh plus drawer	1 vegetable drawer	1 vegetable drawer
KEY FEATURES – FRIDGE SECTION						
Light	LED	LED	LED	LED	LED	LED
SuperCool function	●	●	●	●	-	-
Type of control	Electronic	Electronic	Electronic	Electronic	Electronic	Electronic
Number of shelves	5	5	4	4	4	4
Number of adjustable shelves	4	4	3	3	3	3
Number of door bins / shelves	5	5	3	3	4	4
Type of shelves	Safety glass	Safety glass	Safety glass	Safety glass	Safety glass	Safety glass
Temperature display	Digital 7 segment	Digital 7 segment	Digital 7 segment	Digital 7 segment	Digital 7 segment	Digital 7 segment
Warning signal door open	●	●	●	●	-	-
Bottle shelves in fridge	-	-	-	-	-	-
KEY FEATURES – FREEZER SECTION						
Door opened indicator	●	●	●	●	-	-
SuperFreeze function	●	●	●	●	●	●
Temperature adjustable in freezer	●	●	●	●	-	-
Number of ice cube trays	2	1	2	1	2	2
Number of freezer drawers	3	3	4	4	3	3
ADDITIONAL INFORMATION						
Energy efficiency class	A++	A++	A++	A++	A++	A++
Energy consumption annual kWh ¹	221	221	232	222	222	222
Total net capacity (litres)	255	255	246	246	255	255
Refrigerator net capacity 4°C-8°C (litres)	188	188	154	154	188	188
Refrigerator net capacity 0°C (litres)	-	-	-	-	-	-
Freezer net capacity (litres)	67	67	92	92	67	67
Climate class ²	SN-ST	SN-ST	SN-ST	SN-ST	SN-ST	SN-ST
Noise level dB(A) re 1 pW	39	39	39	39	39	39
Additional accessories included	2 x ice packs, 3 x egg tray, 1 x ice cube tray with lid, 1 x bottle holder in door tray	2 x ice packs, 2 x egg tray, 1 x ice cube tray, 1 x bottle holder in door tray	2 x ice packs, 3 x egg tray, 1 x ice cube tray, 1 x ice cube tray with lid, 1 x bottle holder in door tray	2 x ice packs, 2 x egg tray, 1 x ice cube tray	2 x ice packs, 3 x egg tray, 1 x ice cube tray, 1 x ice cube tray with lid	2 x ice packs, 3 x egg tray, 1 x ice cube tray, 1 x ice cube tray with lid
Height of product (mm)	1772	1772	1772	1772	1772	1772
Width of product (mm)	558	558	558	558	541	541
Depth of product (mm)	545	545	545	545	545	545

● = yes - = no
¹ Actual energy consumption will depend on how the appliance is used and where it is located
² Climate zone SN = designed to operate in ambient temperature of +10°C to 32°C
 Climate zone T = designed to operate in ambient temperature of +18°C to 43°C

All models comply with COMMISSION REGULATION (EC) No 1275/2008 with regard to ecodesign requirements for standby and off mode electric power consumption.

LowFrost bottom freezers



Available September 2020



Available September 2020

Available October 2020

TYPE	BOTTOM FREEZER	BOTTOM FREEZER	BOTTOM FREEZER
DESIGN FAMILY	SERIE 8	SERIE 6	SERIE 6
MODEL NUMBER	KIF87PF30	KIS87AFE0G	KIS87AF30G
Fridge / Freezer split	70 / 30	70 / 30	70 / 30
NoFrost	-	-	-
LowFrost or Manual defrost	LowFrost	LowFrost	LowFrost
Soft Close hinge	-	-	-
Type of hinge (reversible)	Fixed hinge	Fixed hinge	Fixed hinge
Home Connect	-	-	-
FOOD FRESHNESS SYSTEM			
VitaFresh	2 VitaFresh Pro 0°C drawers	1 VitaFresh plus drawer	1 VitaFresh plus drawer
KEY FEATURES - FRIDGE SECTION			
Light	LED	LED	LED
SuperCool function	●	●	●
Type of control	Electronic	Electronic	Electronic
Number of shelves	4	5	5
Number of adjustable shelves	3	4	4
Number of door bins / shelves	3	5	5
Type of shelves	Safety glass	Safety glass	Safety glass
Temperature display	Digital 7 segment	Digital 7 segment	Digital 7 segment
Warning signal door open	●	●	●
Bottle shelves in fridge	-	-	-
KEY FEATURES - FREEZER SECTION			
Door opened indicator	●	●	●
SuperFreeze function	●	●	●
Temperature adjustable in freezer	●	●	●
Number of ice cube trays	1	2	1
Number of freezer drawers	2	2	2
ADDITIONAL INFORMATION			
Energy efficiency class	A++	A++	A++
Energy consumption annual kWh ¹	226	225	225
Total net capacity (litres)	238	270	270
Refrigerator net capacity 4°C- 8°C (litres)	120	209	209
Refrigerator net capacity 0°C (litres)	56	-	-
Freezer net capacity (litres)	62	61	61
Climate class ²	SN-ST	SN-T	SN-T
Noise level dB(A) re 1 pW	34	36	36
Additional accessories included	2 x ice packs, 3 x egg trays, 1 x ice cube tray with lid, 1 x bottle holder in door tray	2 x ice packs, 3 x egg trays, 1 x ice cube tray, 1 x ice cube tray with lid, 1 x bottle holder in door tray	2 x ice packs, 2 x egg trays, 1 x ice cube tray
Height of product (mm)	1772	1772	1772
Width of product (mm)	558	558	558
Depth of product (mm)	545	545	545

● = yes - = no
¹ Actual energy consumption will depend on how the appliance is used and where it is located
² Climate zone SN = designed to operate in ambient temperature of +10°C to 32°C
 Climate zone T = designed to operate in ambient temperature of +18°C to 43°C

TYPE	BOTTOM FREEZER	BOTTOM FREEZER	BOTTOM FREEZER	BOTTOM FREEZER
DESIGN FAMILY	SERIE 6	SERIE 6	SERIE 4	SERIE 4
MODEL NUMBER	KIS86AFE0G	KIS86AF30G	KIV87VFF0G	KIV87VF30G
Fridge / Freezer split	60 / 40	60 / 40	70 / 30	70 / 30
NoFrost	-	-	-	-
LowFrost or Manual defrost	LowFrost	LowFrost	LowFrost	LowFrost
Soft Close hinge	-	-	-	-
Type of hinge (reversible)	Fixed hinge	Fixed hinge	Fixed hinge	Fixed hinge
Home Connect	-	-	-	-
FOOD FRESHNESS SYSTEM				
VitaFresh	1 VitaFresh plus drawer	1 VitaFresh plus drawer	1 vegetable drawer	1 vegetable drawer
KEY FEATURES - FRIDGE SECTION				
Light	LED	LED	LED	LED
SuperCool function	●	●	-	-
Type of control	Electronic	Electronic	Electronic	Electronic
Number of shelves	5	5	5	5
Number of adjustable shelves	4	4	4	4
Number of door bins / shelves	5	5	5	5
Type of shelves	Safety glass	Safety glass	Safety glass	Safety glass
Temperature display	Digital 7 segment	Digital 7 segment	Digital LED	Digital LED
Warning signal door open	●	●	-	-
Bottle shelves in fridge	-	-	-	-
KEY FEATURES - FREEZER SECTION				
Door opened indicator	●	●	-	-
SuperFreeze function	●	●	●	●
Temperature adjustable in freezer	●	●	-	-
Number of ice cube trays	1	1	2	1
Number of freezer drawers	3	3	2	2
ADDITIONAL INFORMATION				
Energy efficiency class	A++	A++	A++	A++
Energy consumption annual kWh ¹	218	218	227	227
Total net capacity (litres)	265	265	272	272
Refrigerator net capacity 4°C- 8°C (litres)	191	191	209	209
Refrigerator net capacity 0°C (litres)	-	-	-	-
Freezer net capacity (litres)	74	74	63	63
Climate class ²	SN-ST	SN-ST	SN-T	SN-T
Noise level dB(A) re 1 pW	36	36	38	38
Additional accessories included	2 x ice packs, 3 x egg trays, 1 x ice cube tray, 1 x ice cube tray with lid, 1 x bottle holder in door tray	2 x ice packs, 2 x egg tray, 1 x ice cube tray	2 x ice packs, 3 x egg trays, 1 x ice cube tray, 1 x ice cube tray with lid	2 x ice packs, 2 x egg tray, 1 x ice cube tray
Height of product (mm)	1772	1772	1772	1772
Width of product (mm)	558	558	541	541
Depth of product (mm)	545	545	545	545

● = yes - = no
¹ Actual energy consumption will depend on how the appliance is used and where it is located
² Climate zone SN = designed to operate in ambient temperature of +10°C to 32°C
 Climate zone T = designed to operate in ambient temperature of +18°C to 43°C

LowFrost and static bottom freezers



Available October 2020



Available October 2020



TYPE	BOTTOM FREEZER	BOTTOM FREEZER	BOTTOM FREEZER	BOTTOM FREEZER
DESIGN FAMILY	SERIE 4	SERIE 4	SERIE 4	SERIE 4
MODEL NUMBER	KIV87VSFOG	KIV87VS30G	KIV86VSFOG	KIV86VS30G
Fridge / Freezer split	70 / 30	70 / 30	60 / 40	60 / 40
NoFrost	-	-	-	-
LowFrost or Manual defrost	LowFrost	LowFrost	LowFrost	LowFrost
Soft Close hinge	-	-	-	-
Type of hinge (reversible)	Sliding hinge	Sliding hinge	Sliding hinge	Sliding hinge
Home Connect	-	-	-	-
FOOD FRESHNESS SYSTEM				
VitaFresh	1 vegetable drawer	1 vegetable drawer	1 vegetable drawer	1 vegetable drawer
KEY FEATURES - FRIDGE SECTION				
Light	LED	LED	LED	LED
SuperCool function	-	-	-	-
Type of control	Electronic	Electronic	Electronic	Electronic
Number of shelves	5	5	4	4
Number of adjustable shelves	4	4	3	3
Number of door bins / shelves	5	5	4	4
Type of shelves	Safety glass	Safety glass	Safety glass	Safety glass
Temperature display	Digital LED	Digital LED	Digital LED	Digital LED
Warning signal door open	-	-	-	-
Bottle shelves in fridge	-	-	-	-
KEY FEATURES - FREEZER SECTION				
Door opened indicator	-	-	-	-
SuperFreeze function	●	●	●	●
Temperature adjustable in freezer	-	-	-	-
Number of ice cube trays	2	1	2	1
Number of freezer drawers	2	2	3	3
ADDITIONAL INFORMATION				
Energy efficiency class	A++	A++	A++	A++
Energy consumption annual kWh ¹	227	227	231	231
Total net capacity (litres)	272	272	267	267
Refrigerator net capacity 4°C-8°C (litres)	209	209	191	191
Refrigerator net capacity 0°C (litres)	-	-	-	-
Freezer net capacity (litres)	63	63	76	76
Climate class ²	SN-T	SN-T	SN-T	SN-T
Noise level dB(A) re 1 pW	38	38	38	38
Additional accessories included	2 x ice packs, 3 x egg trays, 1 x ice cube tray, 1 x ice cube tray with lid	2 x ice packs, 2 x egg tray, 1 x ice cube tray	2 x ice packs, 3 x egg trays, 1 x ice cube tray, 1 x ice cube tray with lid	2 x ice packs, 2 x egg tray, 1 x ice cube tray
Height of product (mm)	1772	1772	1772	1772
Width of product (mm)	541	541	541	541
Depth of product (mm)	545	545	545	545

● = yes - = no
¹ Actual energy consumption will depend on how the appliance is used and where it is located
² Climate zone SN = designed to operate in ambient temperature of +10°C to 32°C
 Climate zone T = designed to operate in ambient temperature of +18°C to 43°C

BOTTOM FREEZER	BOTTOM FREEZER	BOTTOM FREEZER	BOTTOM FREEZER
SERIE 4	SERIE 4	SERIE 2	SERIE 2
KIV85VFFOG	KIV85VSFOG	KIV32X23GB	KIV38X22GB
50 / 50	50 / 50	50 / 50	70 / 30
-	-	-	-
LowFrost	LowFrost	Manual	Manual
-	-	-	-
Fixed hinge	Sliding hinge	Sliding hinge	Sliding hinge
-	-	-	-
FOOD FRESHNESS SYSTEM			
1 vegetable drawer	1 vegetable drawer	1 vegetable drawer	1 vegetable drawer
KEY FEATURES - FRIDGE SECTION			
LED	LED	1 x 25 Watt	1 x 25 Watt
-	-	-	-
Electronic	Electronic	Electronic	Electronic
4	4	3	5
3	3	2	4
4	4	-	-
Safety glass	Safety glass	Safety glass	Safety glass
Digital LED	Digital LED	-	-
-	-	-	-
-	-	-	-
KEY FEATURES - FREEZER SECTION			
-	-	-	-
●	●	-	-
-	-	-	-
2	2	-	-
4	4	4	3
ADDITIONAL INFORMATION			
A++	A++	A+	A+
239	239	283	275
259	259	255	276
157	157	162	217
-	-	-	-
102	102	93	59
SN-T	SN-T	SN-ST	SN-ST
38	38	40	40
2 x ice packs, 3 x egg trays, 1 x ice cube tray, 1 x ice cube tray with lid	2 x ice packs, 3 x egg trays, 1 x ice cube tray, 1 x ice cube tray with lid	1 x butter dish	1 x butter dish
1772	1772	1772	1772
541	541	541	541
545	545	545	545

● = yes - = no
¹ Actual energy consumption will depend on how the appliance is used and where it is located
² Climate zone SN = designed to operate in ambient temperature of +10°C to 32°C
 Climate zone T = designed to operate in ambient temperature of +18°C to 43°C

All models comply with COMMISSION REGULATION (EC) No 1275/2008 with regard to ecodesign requirements for standby and off mode electric power consumption.

For full specification details, please log onto our website and download a full specification sheet.

Fridges & freezers



Available September 2020

Available September 2020



Available September 2020

Available September 2020

Available September 2020

TYPE	FRIDGE 177CM	FRIDGE 177CM	FRIDGE 177CM	FRIDGE 177CM	FRIDGE 177CM
DESIGN FAMILY	SERIE 8	SERIE 8	SERIE 8	SERIE 8	SERIE 6
MODEL NUMBER	KIF82PFF0	KIF82PF30	KIF81PFE0	KIF81PF30	KIR81AFE0G
noFrost	-	-	-	-	-
lowFrost or Manual defrost	-	-	-	-	-
Soft Close hinge	●	●	-	-	-
Type of hinge (reversible)	Fixed hinge	Fixed hinge	Fixed hinge	Fixed hinge	Fixed hinge
Home Connect	-	-	-	-	-
FOOD FRESHNESS SYSTEM					
VitaFresh	3 VitaFresh Pro 0°C drawers	3 VitaFresh Pro 0°C drawers	3 VitaFresh Pro 0°C drawers	3 VitaFresh Pro 0°C drawers	2 VitaFresh Plus drawers, 1 with telescopic rails
KEY FEATURES - FRIDGE SECTION					
Light	LED	LED	LED	LED	LED
SuperCool function	●	●	●	●	●
Type of control	Electronic	Electronic	Electronic	Electronic	Electronic
Number of shelves	6	6	7	7	7
Number of adjustable shelves	5	5	6	6	6
Number of door bins / shelves	5	5	5	5	6
Type of shelves	Safety glass	Safety glass	Glass	Glass	Glass
Temperature display	Digital 7 segment	Digital 7 segment	Digital 7 segment	Digital 7 segment	Digital 7 segment
Warning signal door open	●	●	●	●	●
Defrost system in fridge	Automatic	Automatic	Automatic	Automatic	Automatic
Bottle shelves in fridge	-	-	-	-	●
KEY FEATURES - FREEZER SECTION					
Light in freezer	-	-	-	-	-
Warning signal door open	-	-	-	-	-
SuperFreeze function	-	-	-	-	-
Temperature adjustable in freezer	-	-	-	-	-
Number of ice cube trays	1	1	-	-	-
Number of freezer flaps	1	1	-	-	-
Number of freezer drawers	-	-	-	-	-
ADDITIONAL INFORMATION					
Energy efficiency class	A++	A++	A++	A++	A++
Energy consumption annual kWh ¹	220	220	132	132	116
Total net capacity litres including 0°C drawers (litres)	269	269	289	289	319
Refrigerator net capacity 0°C (litres)	83	83	83	83	-
Freezer net capacity (litres)	15	15	-	-	-
Climate class ²	SN-T	SN-T	SN-T	SN-T	SN-T
Noise level dB(A) re 1 pW	37	37	37	37	37
Additional accessories included	3 x egg tray, 1 x bottle holder in door tray	3 x egg tray, 1 x bottle holder in door tray	3 x egg tray, 1 x bottle holder in door tray	3 x egg tray, 1 x bottle holder in door tray	3 x egg tray
Height of product (mm)	1772	1772	1772	1772	1772
Width of product (mm)	558	558	558	558	558
Depth of product (mm)	545	545	545	545	545

● = yes - = no
¹ Actual energy consumption will depend on how the appliance is used and where it is located
² Climate zone SN = designed to operate in ambient temperature of +10°C to 32°C
 Climate zone T = designed to operate in ambient temperature of +18°C to 43°C

FRIDGE 177CM	FRIDGE 177CM	FRIDGE 177CM	FRIDGE 177CM	FRIDGE 177CM	FRIDGE 177CM	FREEZER 177CM
SERIE 6	SERIE 6	SERIE 4	SERIE 4	SERIE 4	SERIE 4	SERIE 6
KIL82AFFOG	KIL82AF30G	KIR81VSF0G	KIR81VS30G	KIL82VSF0	KIL82VS30G	GIN81AEF0G
-	-	-	-	-	-	●
-	-	-	-	-	-	-
-	-	-	-	-	-	-
Fixed hinge	Fixed hinge	Sliding hinge	Sliding hinge	Sliding hinge	Sliding hinge	Fixed hinge
-	-	-	-	-	-	-
FOOD FRESHNESS SYSTEM						
2 VitaFresh Plus drawers, 1 with telescopic rails	2 VitaFresh Plus drawers, 1 with telescopic rails	2 vegetable drawers	2 vegetable drawers	2 vegetable drawers	2 vegetable drawers	-
KEY FEATURES - FRIDGE SECTION						
LED	LED	LED	LED	LED	LED	-
●	●	●	●	●	●	-
Electronic	Electronic	Electronic	Electronic	Electronic	Electronic	-
5	5	7	7	5	5	-
4	4	6	6	4	4	-
5	5	6	6	5	5	-
Glass	Glass	Glass	Glass	Glass	Glass	-
Digital 7 segment	Digital LED	Digital LED	Digital LED	Digital LED	Digital LED	-
●	●	-	-	-	-	-
Automatic	Automatic	Automatic	Automatic	Automatic	Automatic	-
-	-	-	-	-	-	-
KEY FEATURES - FREEZER SECTION						
-	-	-	-	-	-	-
-	-	-	-	-	-	●
-	-	-	-	-	-	●
-	-	-	-	-	-	●
1	1	-	-	1	1	2
1	1	-	-	1	1	2
-	-	-	-	-	-	5
ADDITIONAL INFORMATION						
A++	A++	A++	A++	A++	A++	A++
209	209	116	116	209	209	243
286	286	319	319	286	286	211
-	-	-	-	-	-	-
34	34	-	-	34	34	211
SN-ST	SN-ST	SN-T	SN-T	SN-ST	SN-ST	SN-T
36	36	37	37	39	39	36
3 x egg tray, 1 x ice cube tray	2 x egg tray, 1 x ice cube tray	3 x egg tray	2 x egg tray	3 x egg tray, 1 x ice cube tray	2 x egg tray, 1 x ice cube tray	2 x small ice packs
1772	1772	1772	1772	1772	1772	1772
558	558	541	541	541	541	558
545	545	545	545	545	545	545

● = yes - = no
¹ Actual energy consumption will depend on how the appliance is used and where it is located
² Climate zone SN = designed to operate in ambient temperature of +10°C to 32°C
 Climate zone T = designed to operate in ambient temperature of +18°C to 43°C

Fridges & freezers



Available August 2020

Available August 2020

Available September 2020

Available September 2020



Available September 2020

Available September 2020

TYPE	FRIDGE 122CM	FRIDGE 122CM	FRIDGE 122CM	FRIDGE 122CM	FRIDGE 87CM	FRIDGE 87CM
DESIGN FAMILY	SERIE 6	SERIE 6	SERIE 2	SERIE 2	SERIE 6	SERIE 2
MODEL NUMBER	KIR41AFFO	KIR41AF30G	KIR24NSFOG	KIR24V20GB	KIR21AFFOG	KIR18NSFOG
noFrost	-	-	-	-	-	-
lowFrost or Manual defrost	-	-	-	-	-	-
Soft Close hinge	-	-	-	-	-	-
Type of hinge (reversible)	Fixed hinge	Fixed hinge	Sliding hinge	Sliding hinge	Fixed hinge	Sliding hinge
Home Connect	-	-	-	-	-	-
FOOD FRESHNESS SYSTEM						
VitaFresh	1 VitaFresh plus vegetable drawer	1 VitaFresh plus vegetable drawer	1 vegetable drawer	1 vegetable drawer	1 VitaFresh plus vegetable drawer	1 vegetable drawer
KEY FEATURES – FRIDGE SECTION						
Light	LED	LED	1 x 15 Watt	1 x 15 Watt	LED	1 x 15 Watt
SuperCool function	●	●	-	-	-	-
Type of control	Electronic	1 x 7 segment	Mechanical	Mechanical	Electronic	Mechanical
Number of shelves	6	6	6	6	4	4
Number of adjustable shelves	5	5	5	5	3	3
Number of door bins / shelves	4	4	4	4	3	4
Type of shelves	Glass	Glass	Glass	Glass	Glass	Glass
Temperature display	Digital	Digital	-	-	Digital	-
Warning signal door open	●	●	-	-	●	-
Defrost system in fridge	Automatic	Automatic	Automatic	Automatic	Automatic	Automatic
Bottle shelves in fridge	-	-	-	-	-	-
KEY FEATURES – FREEZER SECTION						
Light in freezer	-	-	-	-	-	-
Warning signal door open	-	-	-	-	-	-
SuperFreeze function	-	-	-	-	-	-
Temperature adjustable in freezer	-	-	-	-	-	-
Number of ice cube trays	-	-	-	-	-	-
Number of freezer flaps	-	-	-	-	-	-
Number of freezer drawers	-	-	-	-	-	-
ADDITIONAL INFORMATION						
Energy efficiency class	A++	A++	A++	A+	A++	A+
Energy consumption annual kWh ¹	105	105	103	131	97	96
Total net capacity including 0°C drawers (litres)	211	211	221	221	144	150
Refrigerator net capacity 0°C (litres)	-	-	-	-	-	-
Freezer net capacity (litres)	-	-	-	-	-	-
Climate class ²	SN-T	SN-T	SN-ST	SN-ST	SN-ST	SN-ST
Noise level dB(A) re 1 pW	33	33	37	36	33	37
Additional accessories included	2 x egg tray	2 x egg tray	1 x egg tray	1 x egg tray	2 x egg tray	1 x butter dish
Height of product (mm)	1221	1221	1221	1221	874	874
Width of product (mm)	558	558	541	541	558	541
Depth of product (mm)	545	545	542	542	545	542

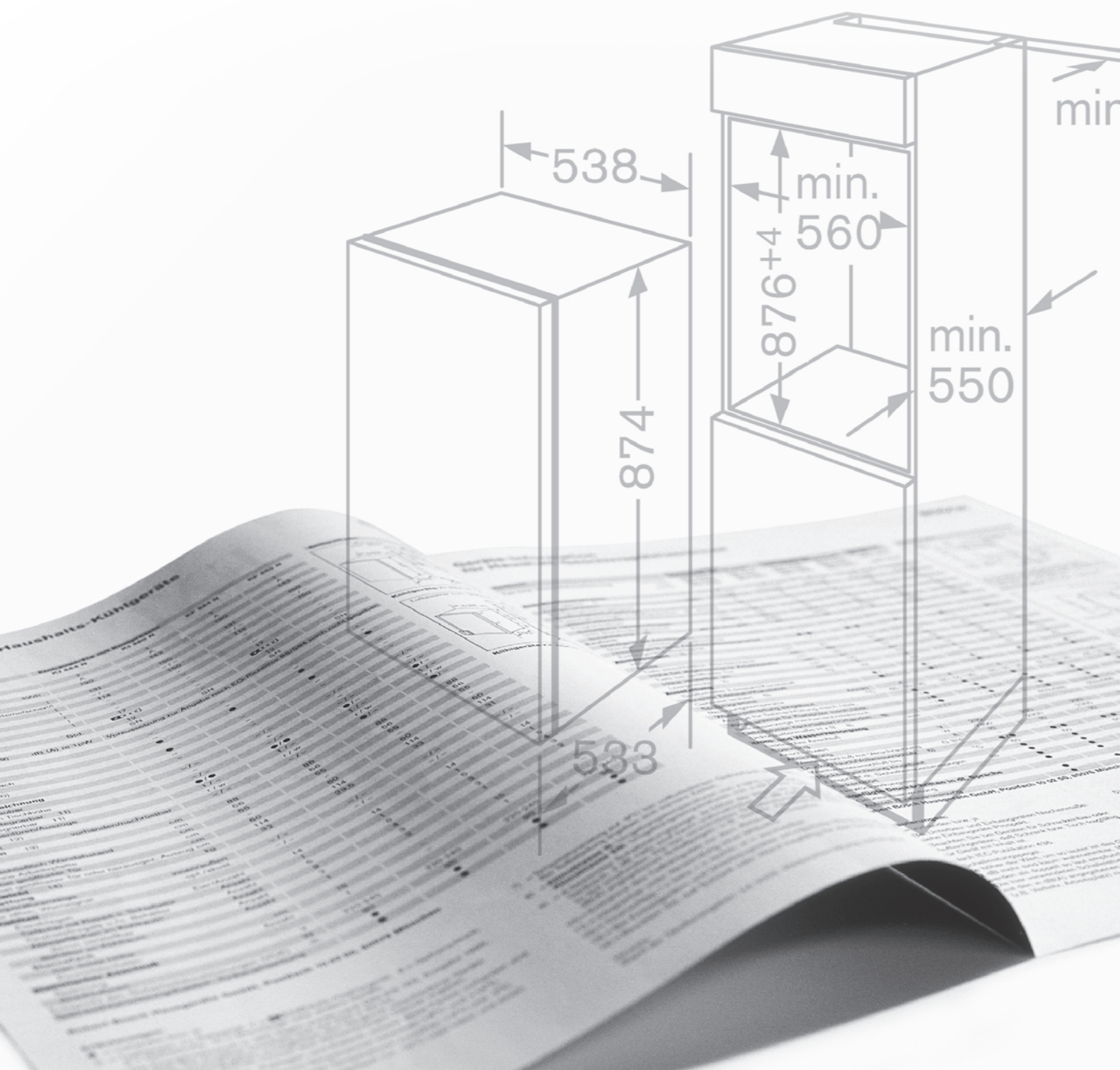
● = yes - = no
¹ Actual energy consumption will depend on how the appliance is used and where it is located
² Climate zone SN = designed to operate in ambient temperature of +10°C to 32°C
 Climate zone T = designed to operate in ambient temperature of +18°C to 43°C

FRIDGE 87CM	FREEZER 87CM	FREEZER 87CM	FREEZER 87CM	UNDERCOUNTER FRIDGE 82CM	UNDERCOUNTER FRIDGE 82CM	UNDERCOUNTER FRIDGE 82CM	UNDERCOUNTER FREEZER 82CM
SERIE 2	SERIE 4	SERIE 4	SERIE 6	SERIE 6	SERIE 6	SERIE 6	SERIE 6
KIR18V20GB	GID18ASE0G	GID18A20GB	GIV21AFE0	KUL15AFFOG	KUL15A60GB	KUR15AFFOG	GUD15AFFOG
-	-	-	-	-	-	-	-
-	Manual	Manual	LowFrost	-	-	-	Manual
Sliding hinge	Sliding hinge	Sliding hinge	Fixed hinge	Fixed hinge	Fixed hinge	Fixed hinge	Fixed hinge
-	-	-	-	-	-	-	-
1 vegetable drawer	-	-	-	2 vegetable drawers	2 vegetable drawers	2 vegetable drawers	-
1 x 15 Watt	-	-	-	1 x 25 Watt	1 x 25 Watt	1 x 25 Watt	-
Mechanical	Mechanical	Mechanical	Mechanical	Mechanical	Mechanical	Mechanical	-
4	-	-	-	2	2	3	-
3	-	-	-	1	1	3	-
4	-	-	-	3	3	3	-
Glass	-	-	-	Glass	Glass	Glass	-
-	-	-	-	-	-	-	-
Automatic	-	-	-	Automatic	Automatic	Automatic	-
-	-	-	-	-	-	-	-
-	-	-	-	-	-	-	-
-	●	●	●	-	-	-	●
-	●	●	●	-	-	-	●
-	1	1	1	1	1	-	1
-	-	-	-	1	1	-	-
-	4	4	3	-	-	-	3
A+	A+	A+	A++	A++	A++	A+	A+
122	192	192	157	140	140	118	184
150	94	94	97	123	123	137	98
-	-	-	-	-	-	-	-
-	94	94	97	15	15	-	98
SN-ST	SN-ST	SN-ST	SN-T	SN-ST	SN-ST	SN-ST	SN-ST
34	38	38	36	38	38	38	38
1 x butter dish	1 x berry tray, 1 x ice cube tray, 2 x small ice packs	1 x berry tray, 1 x ice cube tray, 2 x small ice packs	1 x ice cube tray	1 x egg tray, 1 x ice cube tray	1 x egg tray, 1 x ice cube tray	1 x egg tray	1 x ice cube tray, 2 x small ice packs
874	874	874	874	820	820	820	820
541	541	541	558	598	598	598	598
542	542	542	545	548	548	548	548

● = yes - = no
¹ Actual energy consumption will depend on how the appliance is used and where it is located
² Climate zone SN = designed to operate in ambient temperature of +10°C to 32°C
 Climate zone T = designed to operate in ambient temperature of +18°C to 43°C

Product installation guide & accessories

2020



Installation tips

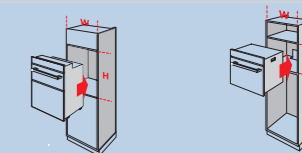
Ovens, microwaves and hobs

Flexibility to choose the way you want to cook

Whether you're creating a feast for fifteen, steaming a healthy meal, cooking for one or popping on a frozen meal, Bosch appliances have the flexibility to do the job.

Built-in single and double ovens

The beauty of built-in ovens is that they can be housed in a variety of positions. For optimum convenience, install in standard tall cabinets at a level to suit the main users. Install single ovens alone, or together with a combination oven/microwave, built-in microwave, steam or combination steam oven. Hobs need to be bought separately.



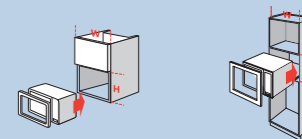
Built-under single and double ovens

Single ovens can also be installed under the work surface, directly below the hob, or apart from it. Bosch also offers double ovens that are specifically designed for installation under the work surface. Hobs need to be bought separately.



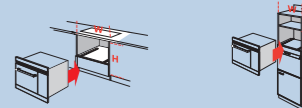
Compact steam, combination ovens and combination microwave ovens

Compact appliances offer a range of combination or specialist functions – for example steam cooking is one of the healthiest methods of cooking available – and are ideal if space is at a premium. If you have more room, they're perfect for providing extra capacity and flexibility above or alongside a suitable built-in single oven. Build in to a standard tall or base cabinet with or without a warming drawer.



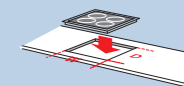
Standard built-in microwaves

Depending on the model, you can install into a tall housing, or in a wall cupboard. Wall cupboard models are available in 50cm or 60cm widths.



Hobs

Choose from gas, induction, ceramic or sealed plate. Available in 6 widths: 30, 60, 70, 75, 80 or 90cm.



Quick checklist

Ovens

- Standard single oven
- Double oven
- Built-under
- Built-in at eye level

Self-cleaning function

- Pyrolytic self-cleaning function
- EcoClean® self-cleaning programme

Steam oven/combination oven/combination microwave

- Steam combination oven
- Steamer
- Oven with integral microwave
- Combination microwave

Built-in

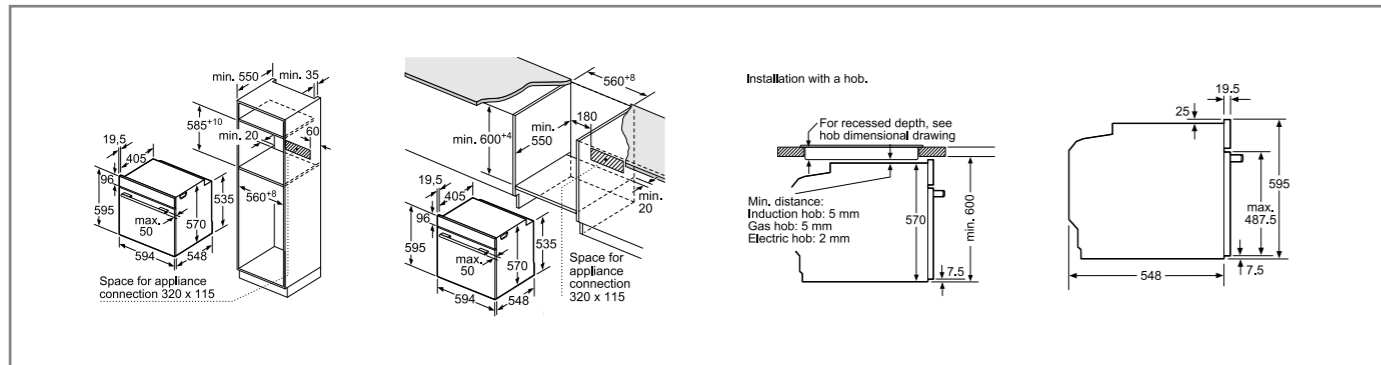
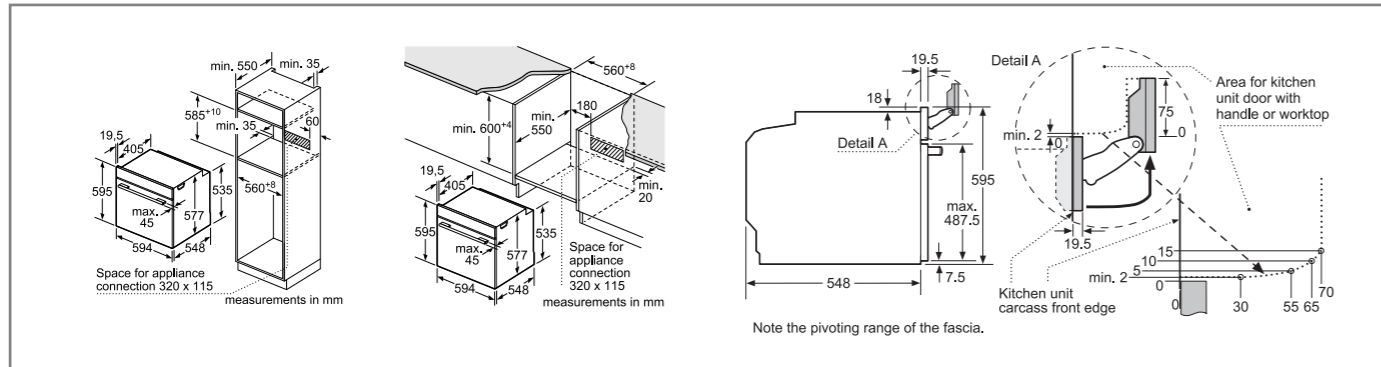
- Built-under
- Built-in wall cupboard installation
- 50cm wide
- 60cm wide

Hobs

- Gas
- Induction
- Ceramic
- Sealed plate
- 30cm wide
- 60cm wide
- 70cm wide
- 75cm wide
- 80cm wide
- 90cm wide

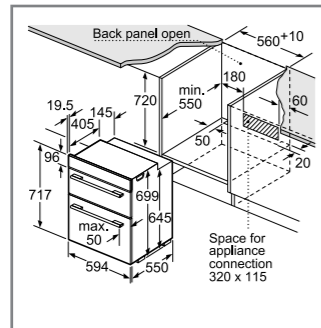
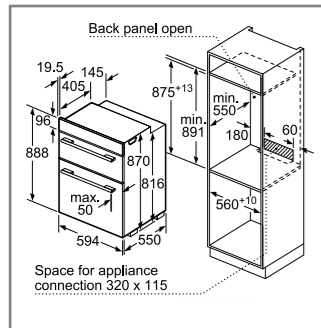
Ovens technical diagrams

Single and double ovens



Single ovens

HRG6769S6B, HBG6764S6B, HBG6764B6B, HRG675BS1B, HBG674BS1B, HBG674BB1B, HBG578S6B, HRS578BS6B, HBS573BS0B, HRG635BS1B, HBG634BS1B, HBG634BB1B, HBG5585S6B, HBA5570S0B, HBS534BS0B, HBS534BB0B, HBS534BW0B



Built-in double ovens

MBA5575S0B, MBA5350S0B, MBS533BS0B, MBS533BB0B, MBS533BW0B

Built-under double ovens

NBA5350S0B, NBS533BS0B, NBS533BB0B, NBS533BW0B

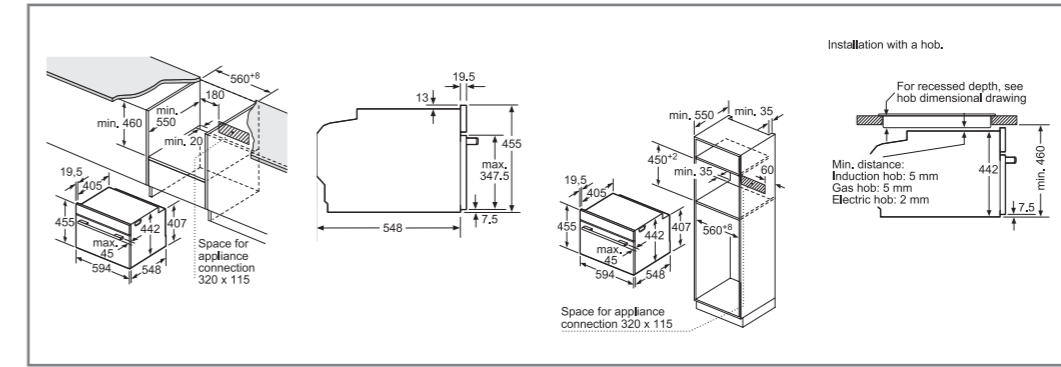
All diagram measurements are in millimetres (mm)

We try to keep up to date with constant technological improvements, so from time to time we may update installation guidelines. Therefore we strongly recommend that you download the latest installation guidelines from www.bosch-home.co.uk. Line drawings are for guidance only, and we recommend that you refer to the latest installation guidelines. Though every care is taken to ensure instructions are correct at the time of printing, Bosch cannot accept responsibility for incorrect planning or installation as a result of the use of these line drawings.

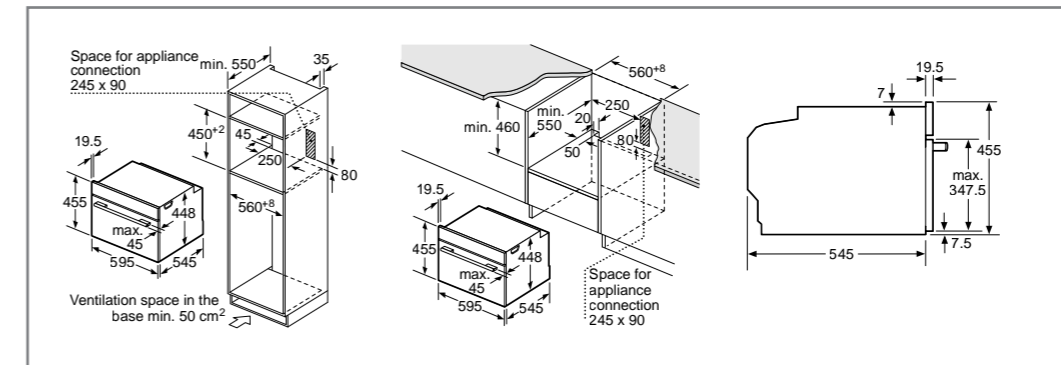
Explore more at www.bosch-home.co.uk

Compact appliances technical diagrams

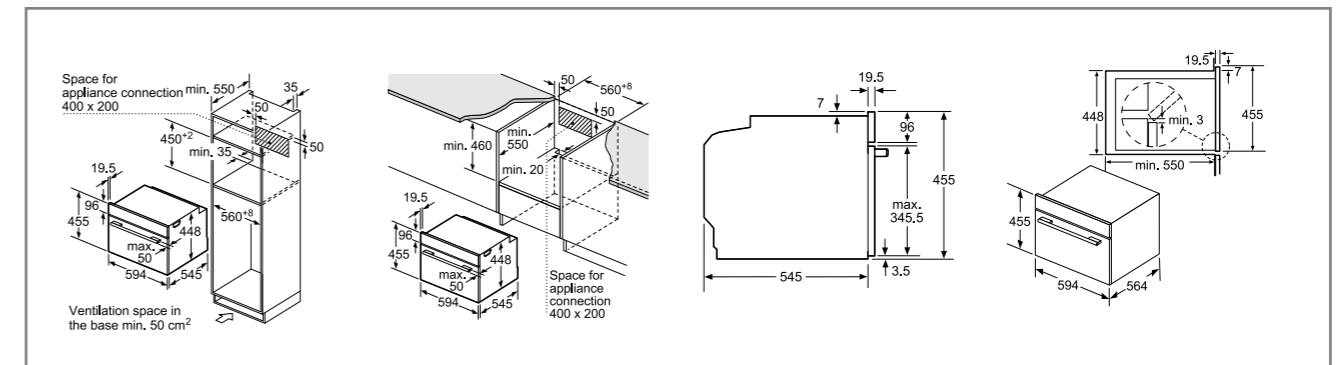
Compact ovens, compact steam ovens, compact microwave combination oven



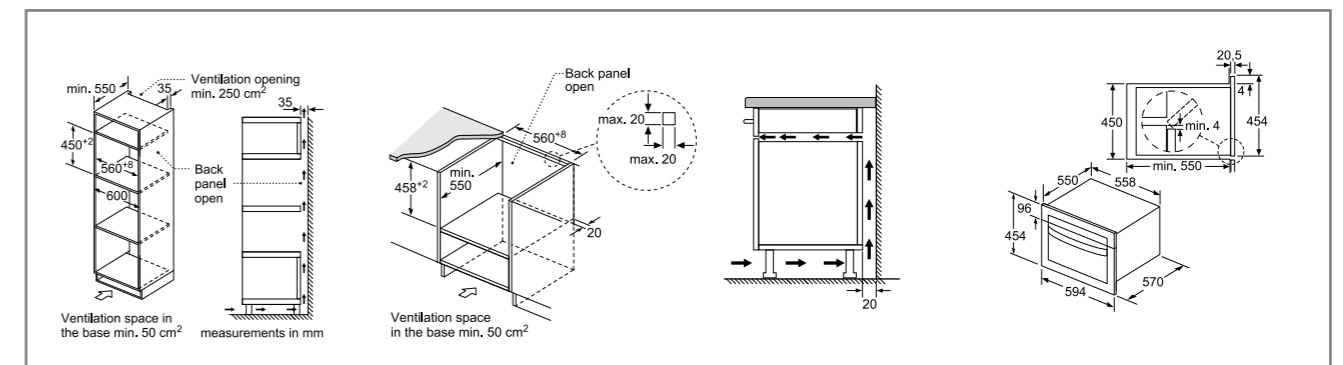
Compact oven (with added steam) CSG656BS7B Compact ovens (with microwave) CMG676BS6B, CMG656BS6B, CMG656BB6B, CMG633BS1B, CMG633BB1B



Compact Microwave CFA634GS1B



Compact Combination Microwave Oven with Steam CPA565GS0B



Compact Combination Microwave Ovens CMA585GS0B, CMA583MS0B

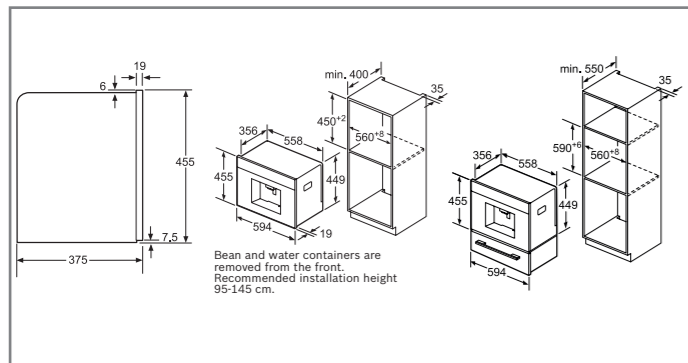
All diagram measurements are in millimetres (mm)

All models comply with COMMISSION REGULATION (EC) No 1275/2008 with regard to ecodesign requirements for standby and off mode electric power consumption. We try to keep up to date with constant technological improvements, so from time to time we may update installation guidelines. Therefore we strongly recommend that you download the latest installation guidelines from www.bosch-home.co.uk. Line drawings are for guidance only, and we recommend that you refer to the latest installation guidelines. Though every care is taken to ensure instructions are correct at the time of printing, Bosch cannot accept responsibility for incorrect planning or installation as a result of the use of these line drawings.

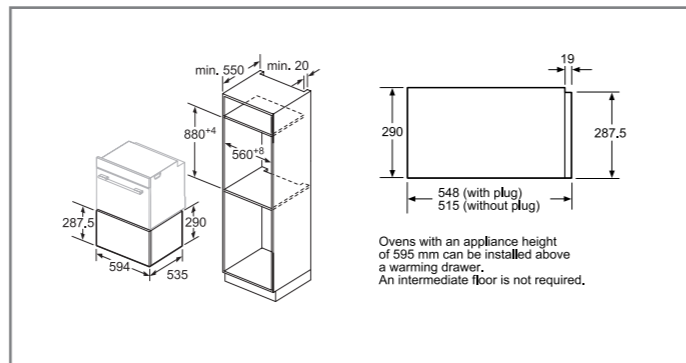
Making **life easy** through innovative technologies

Compact appliances technical diagrams

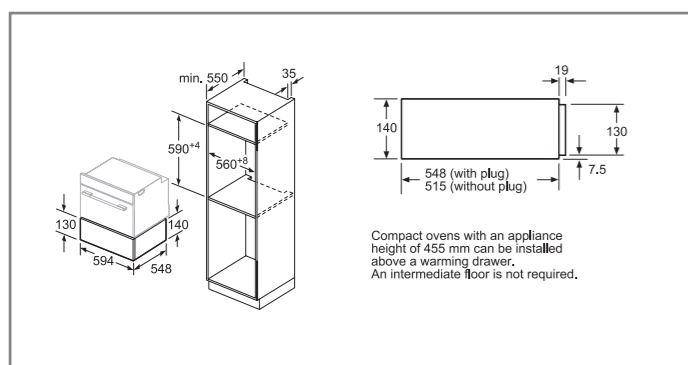
Compact coffee maker, warming drawers



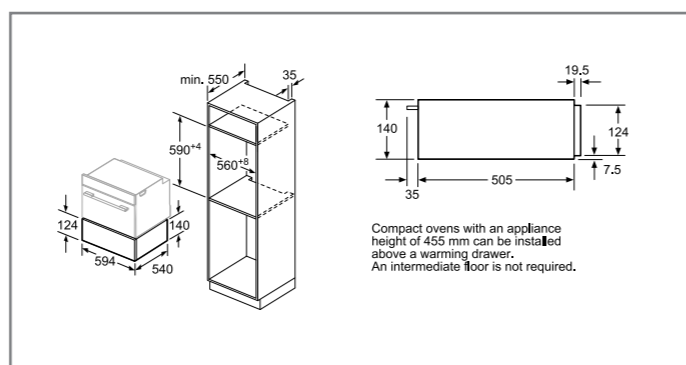
Coffee maker CTL636ES6



Warming drawer BID630NS1B installed with 60cm high single oven.

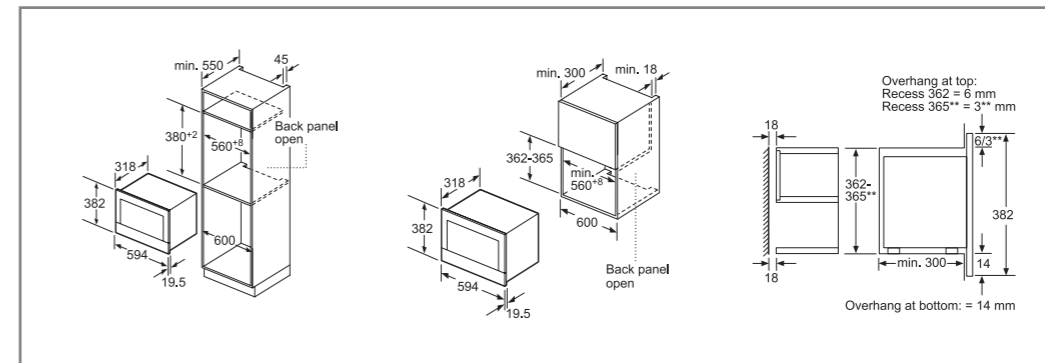


Warming drawers BIC630NS1B, BIC630NB1B installed with 45cm high compact oven.

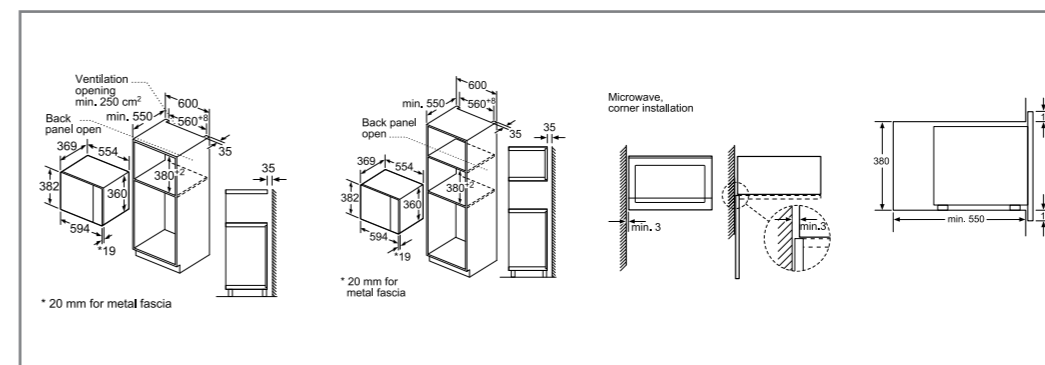


Warming drawers BIC510NS0B installed with 45cm high compact oven.

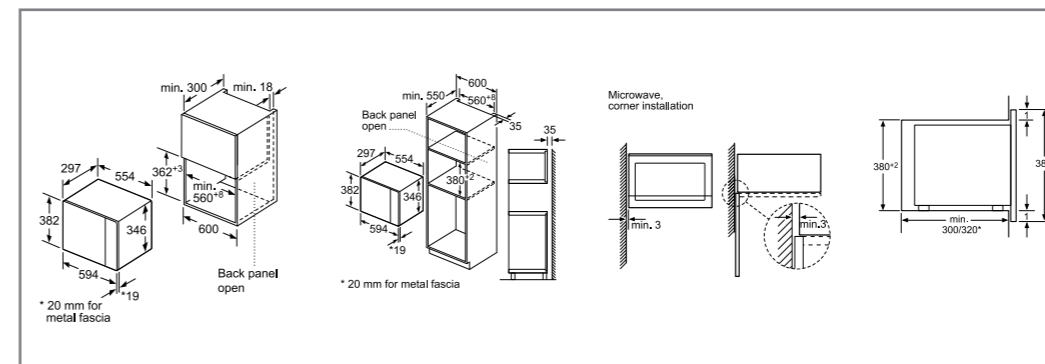
Microwave ovens



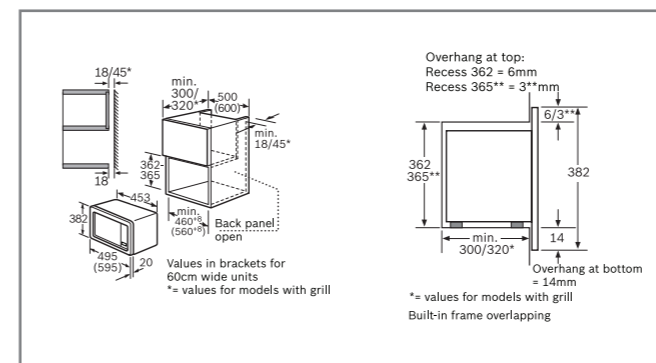
Microwaves BEL634GS1B, BFL634GS1B, BFL634GB1B



Microwaves BFL554MS0B, BFL524MS0B, BEL553MS0B, BFL553MS0B, BFL553MB0B, BFL553MW0B



Microwaves BEL523MS0B, BFL523MS0B, BFL523MB0B, BFL523MW0B



HMT75M551B

Oven and compact appliance accessories

SERIE 4 & 6

	Single Ovens	45cm Compact Ovens	Compact Ovens	Double Ovens*
--	--------------	--------------------	---------------	---------------

ROASTING & BAKING ACCESSORIES

HEZ634000	Full width wire shelf for all Serie 8, 6 & 4 ovens and Serie 8 compact ovens	●	●	-	●
HEZ631070	Colour coordinated full width enamelled baking tray for Serie 8 ovens and Serie 8 compact ovens	●	●	-	-
HEZ531000	Colour coordinated full width enamelled baking tray for Serie 6 and Serie 4 single and double ovens	-	-	-	●
HEZ631010	Colour coordinated full width baking tray with non-stick coating for Serie 8 ovens and Serie 8 compact ovens	●	●	-	-
HEZ531010	Colour coordinated full width baking tray with non-stick coating for Serie 6 and Serie 4 single and double ovens	-	-	-	●
HEZ530000	Two piece slim pan set for Serie 6 and Serie 4 single and double ovens	-	-	-	●
HEZ625071	Two-piece enamelled anti-splash pan insert for Serie 8, 6 & 4 ovens and Serie 8 compact ovens	●	●	-	●
HEZ636000	Full width glass tray for Serie 8, 6 & 4 ovens and Serie 8 compact ovens	●	●	-	●
HEZ915003	5.4L capacity oval glass casserole dish with lid for Serie 8, 6 & 4 ovens and Serie 8 compact ovens	●	●	-	●

TELESCOPIC RAILS

HEZ638100	Single level telescopic shelf rail set for Serie 8 single ovens	●	-	-	-
HEZ538000	1 pair of level independent telescopic rails for Serie 6 & 4 single and double ovens	-	-	-	●
HEZ638170	Single level telescopic shelf rail set Serie 8 single pyrolytic ovens	-	-	-	-
HEZ638300	Triple level telescopic shelf rails for Serie 8, 6 & 4 single and Serie 6 & 4 double ovens	●	-	-	●
HEZ638370	Triple level telescopic shelf rails set for Serie 8 single pyrolytic ovens	-	-	-	-

INSTALLATION ACCESSORIES

HEZ6BMA00	Metal platform and brackets suited to combinations of Serie 8 60cm Single ovens and 45cm Compact ovens in column (special single aperture required)	●	●	-	-
HEZ660060	Cosmetic decor strip for use between 60cm single and 45cm compact ovens	●	●	●	-

● = Yes - = No

Optional accessories not suited for use during pyrolytic cleaning cycle

All diagram measurements are in millimetres (mm)

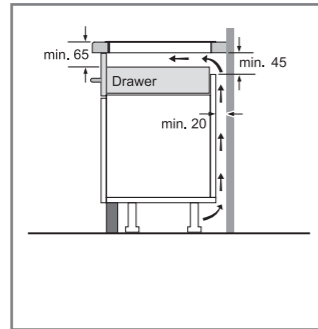
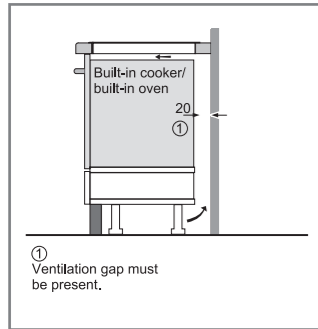
All models comply with COMMISSION REGULATION (EC) No 1275/2008 with regard to ecodesign requirements for standby and off mode electric power consumption. We try to keep up to date with constant technological improvements, so from time to time we may update installation guidelines. Therefore we strongly recommend that you download the latest installation guidelines from www.bosch-home.co.uk. Line drawings are for guidance only, and we recommend that you refer to the latest installation guidelines. Though every care is taken to ensure instructions are correct at the time of printing, Bosch cannot accept responsibility for incorrect planning or installation as a result of the use of these line drawings.

All diagram measurements are in millimetres (mm)

All models comply with COMMISSION REGULATION (EC) No 1275/2008 with regard to ecodesign requirements for standby and off mode electric power consumption. We try to keep up to date with constant technological improvements, so from time to time we may update installation guidelines. Therefore we strongly recommend that you download the latest installation guidelines from www.bosch-home.co.uk. Line drawings are for guidance only, and we recommend that you refer to the latest installation guidelines. Though every care is taken to ensure instructions are correct at the time of printing, Bosch cannot accept responsibility for incorrect planning or installation as a result of the use of these line drawings.

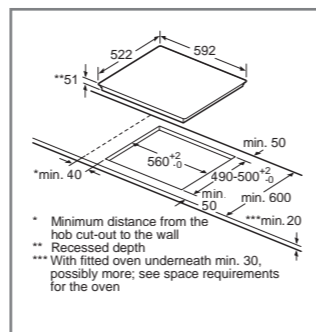
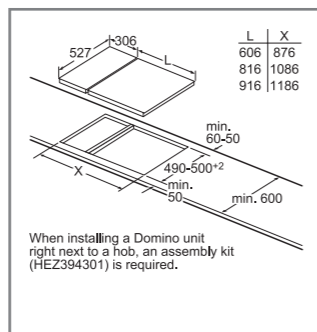
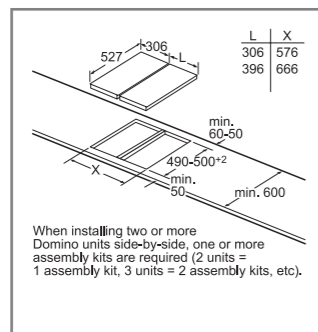
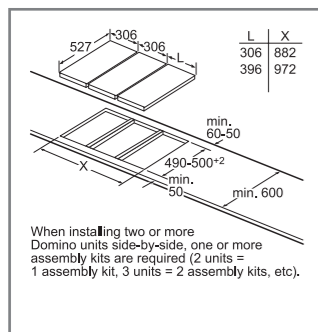
Electric hobs technical diagrams

All models

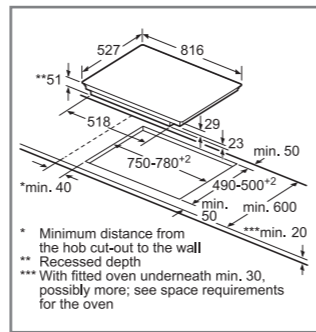
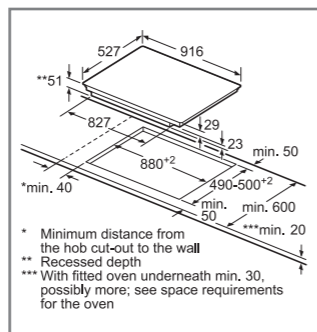
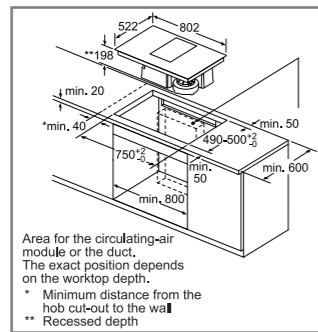
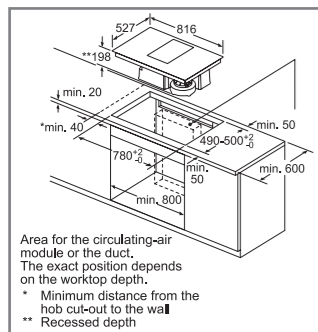


Induction all models

Induction all models



FlexInduction hobs

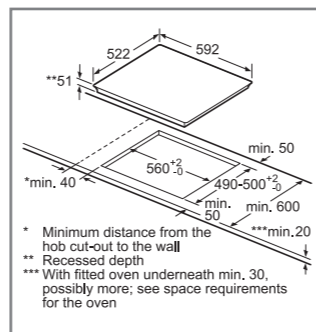
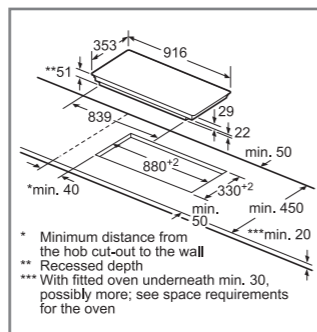
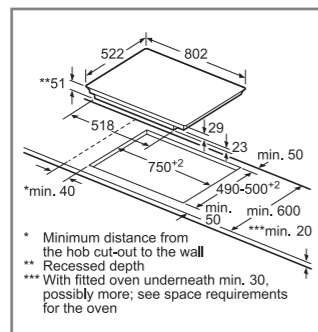
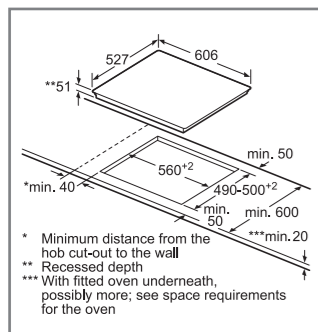


PXX875D67E

PVS851F21E, PVQ731F15E

PXX975KW1E

PXY875KW1E, PXY875DE3E, PXV875DV1E



PXY675DE3E, PXX675DV1E,

PXV851FC1E

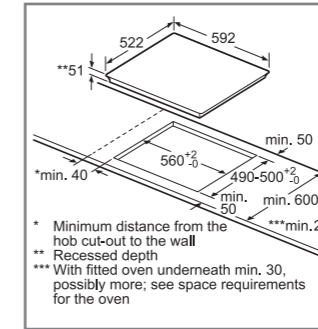
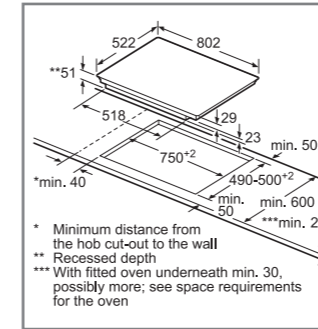
PXX275FC1E

PXE651FC1E

All diagram measurements are in millimetres (mm). We try to keep up to date with constant technological improvements, so from time to time we may update installation guidelines. Therefore we strongly recommend that you download the latest installation guidelines from www.bosch-home.co.uk. Line drawings are for guidance only, and we recommend that you refer to the latest installation guidelines. Though every care is taken to ensure instructions are correct at the time of printing, Bosch cannot accept responsibility for incorrect planning or installation as a result of the use of these line drawings.

Electric hobs technical diagrams

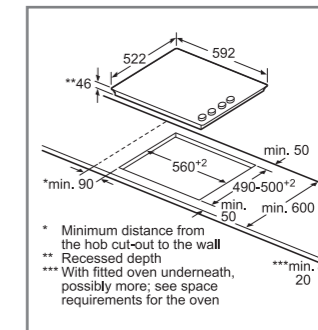
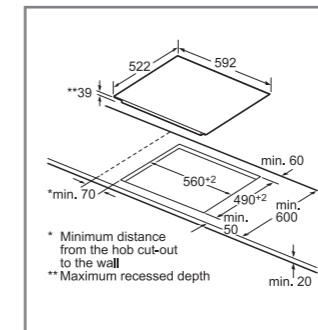
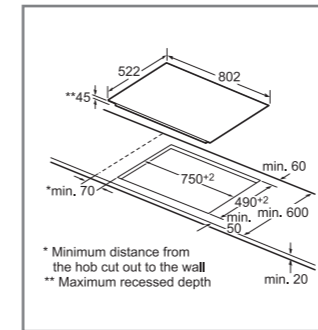
Induction hobs



PVW851FB5E, PIV851FB1E

PVQ651FC5E, PIE651BB1E, PWP631BB1E, PUE611BB1E, PWP631BF1B, PUE611BF1B

Quick-Therm Ceramic hobs



PKN811D17E

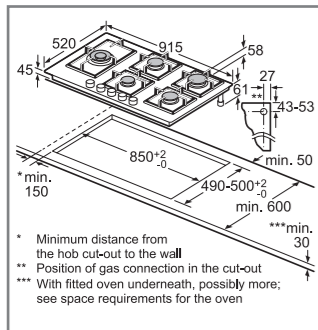
PKE611D17E

PKE611CA1E

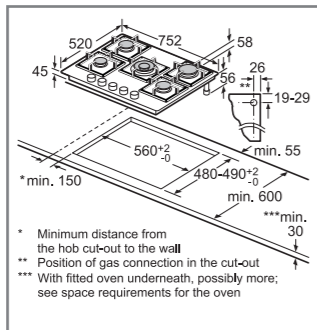
All diagram measurements are in millimetres (mm). We try to keep up to date with constant technological improvements, so from time to time we may update installation guidelines. Therefore we strongly recommend that you download the latest installation guidelines from www.bosch-home.co.uk. Line drawings are for guidance only, and we recommend that you refer to the latest installation guidelines. Though every care is taken to ensure instructions are correct at the time of printing, Bosch cannot accept responsibility for incorrect planning or installation as a result of the use of these line drawings.

Gas hobs technical diagrams

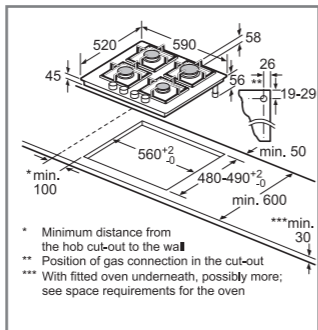
Gas hobs



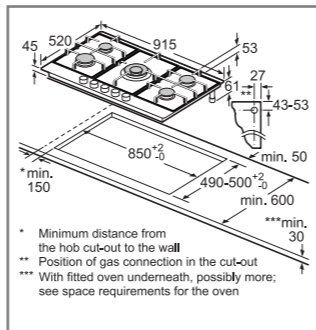
PPS9A6B90



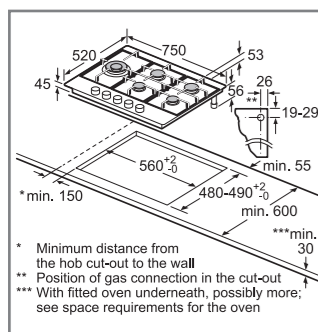
PPQ7A6B90



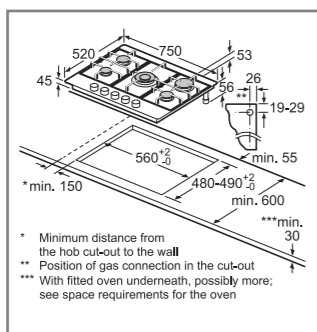
PPP6A6B90



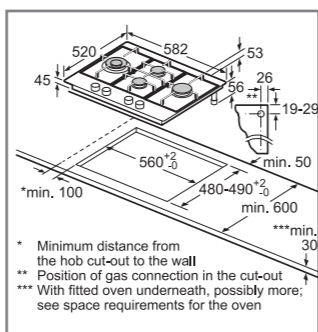
PCR9A5B90



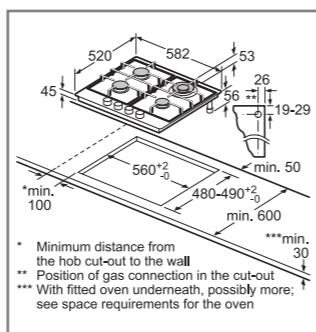
PCS7A5B90



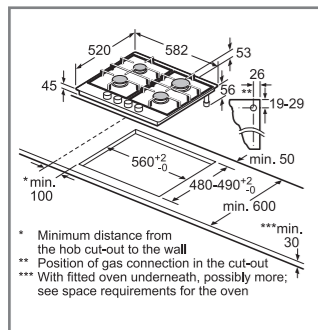
PCQ7A5B90, PGQ7B5B90



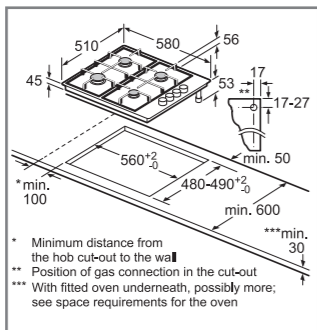
PCI6A5B90



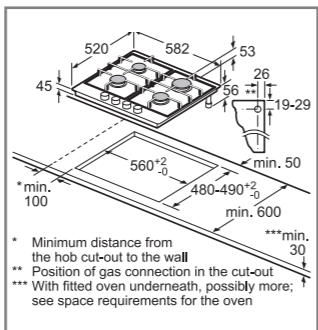
PCH6A5B90



PCP6A5B90, PCP6A6B90



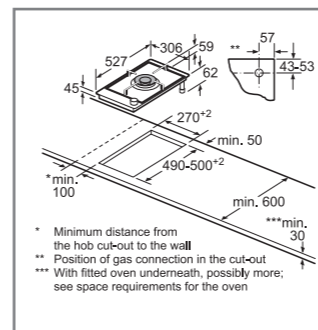
PBP6B5B60, PBP6B6B60



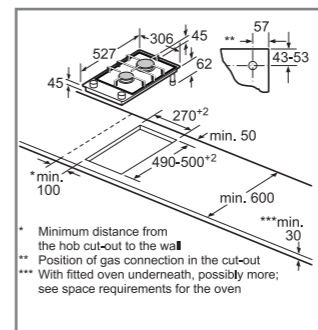
PGP6B5B60, PGP6B6B60,
PGP6B2B60, PNP6B6B90

Domino technical diagrams

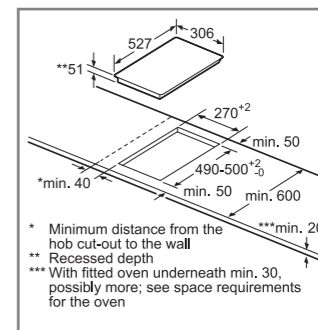
Domino hobs



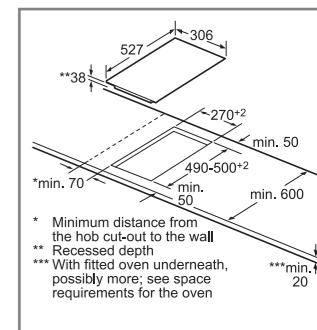
PRA3A6D70



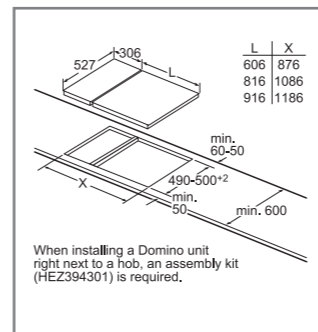
PRB3A6D70



PIB375FB1E



PKF375FP1E



Domino combination possibilities with corresponding device and cutout dimensions

Width type: 30 40 60 70 80 90
 Device width: 306 396 606 710 816 916

	A	B	C	D	L	X						
2x30,							306	306	612	576		
1x30, 1x40							306	396	702	666		
1x30, 1x60							306	606	912	876		
1x30, 1x70							306	710	1016	980		
1x30, 1x80							306	816	1122	1086		
1x30, 1x90							306	916	1222	1186		
2x40							396	396	792	756		
1x40, 1x60							396	606	1002	966		
1x40, 1x70							396	710	1106	1070		
1x40, 1x80							396	816	1212	1176		
1x40, 1x90							396	916	1312	1276		
3x30							306	306	306	918	882	
2x30, 1x40							306	306	396	1008	972	
2x30, 1x60							306	306	606	1218	1182	
2x30, 1x70							306	306	710	1322	1286	
2x30, 1x80							306	306	816	1428	1392	
2x30, 1x90							306	306	916	1528	1492	
1x30, 2x40							306	396	396	1098	1062	
1x30, 1x40, 1x60							306	396	606	1308	1272	
1x30, 1x40, 1x70							306	396	710	1412	1376	
1x30, 1x40, 1x80							306	396	816	1518	1482	
1x30, 1x40, 1x90							306	396	916	1618	1582	
2x40, 1x60							396	396	606	1398	1362	
4x30							306	306	306	306	1224	1188
3x30, 1x40							306	306	306	396	1314	1278







All diagram measurements are in millimetres (mm)










We try to keep up to date with constant technological improvements, so from time to time we may update installation guidelines. Therefore we strongly recommend that you download the latest installation guidelines from www.bosch-home.co.uk. Line drawings are for guidance only, and we recommend that you refer to the latest installation guidelines. Though every care is taken to ensure instructions are correct at the time of printing, Bosch cannot accept responsibility for incorrect planning or installation as a result of the use of these line drawings.

All diagram measurements are in millimetres (mm)



We try to keep up to date with constant technological improvements, so from time to time we may update installation guidelines. Therefore we strongly recommend that you download the latest installation guidelines from www.bosch-home.co.uk. Line drawings are for guidance only, and we recommend that you refer to the latest installation guidelines. Though every care is taken to ensure instructions are correct at the time of printing, Bosch cannot accept responsibility for incorrect planning or installation as a result of the use of these line drawings.

FlexInduction and Induction hob accessories

DESCRIPTION	ACCESSORY NR	PXX875D34E	PXX975KW1E	PXY875KW1E	PXY875KE1E	PXY875DE3E	PXY675DE3E	PXV875DV1E	PXX675DV1E	PXV875DC1E	PXV851FC1E	PXE675DC1E
 Wireless temperature sensor	HEZ39050	•	•	•	•	•	•	•	•	•	•	•
 BergHOFF three piece induction pan set (1 x frying pan, 2 x pot)	HEZ9SE030	•	•	•	•	•	•	•	•	•	•	•
 Rectangular roasting pan with lid (approx. 320x200mm)	HEZ390011	•	•	•	•	•	•	•	•	•	•	•
 Steamer pan insert of use with HEZ390011 roasting pan	HEZ390012	•	•	•	•	•	•	•	•	•	•	•
 Teppan Yaki (approx. 400x200mm)	HEZ390512	•	•	•	•	•	•	•	•	•	•	•
 Griddle plate (approx. 400x200mm)	HEZ390522	•	•	•	•	•	•	•	•	•	•	•

DESCRIPTION	ACCESSORY NR	PXX275FC1E	PVW851FB1E	PXE651FC1E	PIV851FB1E	PVS651FB1E	PIE651BB1E	PWP631BB1E	PUE611BB1E	PWP631BF1B	PUE611BF1B
 BergHOFF three piece induction pan set (1 x frying pan, 2 x pot)	HEZ9SE030	•	•	•	•	•	•	•	•	•	•
 BergHOFF single induction coated frying pan (approx. 260mm)	HEZ9CF260	•	•	•	•	•	•	•	•	•	•
 BergHOFF single induction pot (approx. 200mm)	HEZ9LP200	•	•	•	•	•	•	•	•	•	•
 BergHOFF single induction pot (approx. 160mm)	HEZ9LP160	•	•	•	•	•	•	•	•	•	•
 Rectangular roasting pan with lid (approx. 320x200mm)	HEZ390011	•	•	•	•	•	•	•	•	•	•
 Steamer pan insert of use with HEZ390011 roasting pan	HEZ390012	•	•	•	•	•	•	•	•	•	•
 Teppan Yaki (approx. 300x200mm)	HEZ390511	•	•	•	•	•	•	•	•	•	•
 Teppan Yaki (approx. 400x200mm)	HEZ390512	•	•	•	•	•	•	•	•	•	•
 Griddle plate (approx. 400x200mm)	HEZ390522	•	•	•	•	•	•	•	•	•	•

Domino hob accessories

DESCRIPTION	ACCESSORY NR	PRA3A6D70	PRB3A6D70	PKF375FP1E	PIB375FB1E
 Connecting Strip	HEZ394301	•	•	•	•
 BergHOFF three piece induction pan set (1 x frying pan, 2 x pot)	HEZ9SE030	•	•	•	•

Installation tips

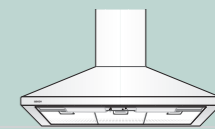
Hoods

Keep air fresh and free of cooking smells

Extractor hoods are an integral part of a clean and fresh working kitchen environment. Not only do Bosch extractor hoods look good and add a professional touch to your kitchen, they also deal quietly and efficiently with the key tasks of eliminating unwanted odours and removing grease and moisture from the kitchen.

Chimney extractor hoods

Choose between wall-mounted models or an island version to create a striking focal point in the kitchen. Some models are further enhanced by glass canopies. Available 60, 75 and 90cm wide.

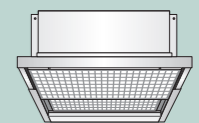


Chimney extractor easy mounting system

Installing your new cooker hood in the kitchen is quick and straightforward with the patented easy mounting system. The self-levelling fixing rings allow you to precision adjust the horizontal position of the hood by up to a 6mm radius.

Telescopic extractor

Ideal where an unobtrusive extractor is required. Built into a wall cabinet above the hob, it can be extended when in use, and retracted when not. Use the special handle profile accessory, or if you prefer, a matching pelmet from your kitchen supplier. 60 or 90cm wide.



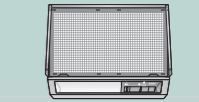
Conventional extractor hoods

Ideal where space is at a premium, these 14cm tall extractors can be mounted directly to the wall or suspended beneath a reduced height wall cupboard. 60cm wide.



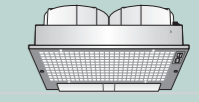
Integrated extractor hoods

Integrated extractor hoods are designed to be mounted between two cabinets with a matching furniture door affixed to the front.



Canopy extractor hoods

Designed to fit discreetly into the base of a wall cupboard, or specially designed furniture canopy with operation from below.



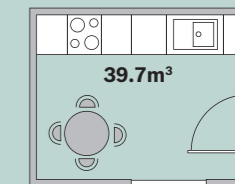
Choosing the correct extractor

As a guideline, the air in the room should be changed 6-12 times per hour. Calculate the floor area in square metres and multiply by the height of the room in metres. Then divide the maximum extraction rate of your chosen hood by the figure calculated above. The resulting figure should be at least 7, but preferably as close to 12 as possible.

Example

Kitchen (H x W x D) metres 2.1 x 4.5 x 4.2 = 39.7m³.
Assume a maximum of 12 air changes per hour – multiply 39.7m³ by 12 = 476m³/h.
Choose a hood capable of extracting at least this amount of air per hour – e.g. DWB96DM50B (max ducted extraction rate intensive 580m³ per hour).

To avoid excessive noise, try to select a model which meets the above requirements on an intermediate speed, rather than at the highest speed.



Quick checklist

Type of hood

- Chimney
- Telescopic
- Conventional
- Integrated
- Canopy
- Ceiling
- Downdraft
- Ducted
- Re-circulated
- Width of hood
- Size of kitchen
- Required extraction rate

One Venting Hob, four installation possibilities.

Recirculation configuration



Unducted recirculation



Partly ducted recirculation



Fully ducted recirculation

Exhaust configuration



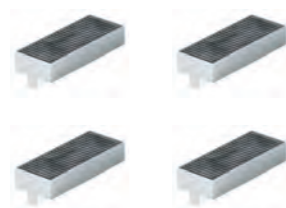
(Fully ducted) Exhaust

HEZ9VRUD0 Starter kit (unducted recirculation)



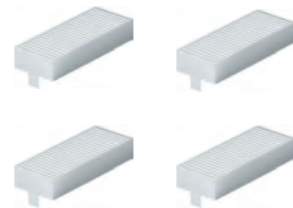
- Contains:**
- CleanAir odour filters (360hours lifespan)
 - Telescopic "Slider" (air tight, self-gluing)

HEZ9VRPD0 Basic kit (for partly ducted and fully ducted recirculation)



- Contains:**
- CleanAir odour filters (360hours lifespan)
 - Diffusor and adhesive tape

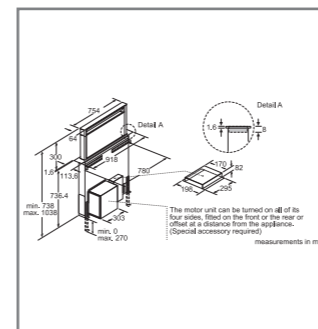
HEZ9VEDU0 Acoustic filters (exhaust configuration)



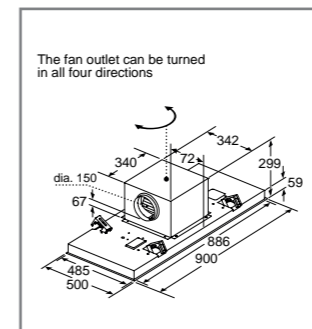
- Contains:**
- Acoustic filters (low noise and max. extraction performance)

Hoods technical diagrams

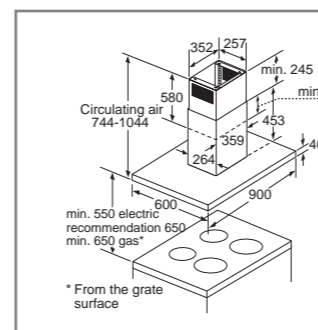
Downdraft, Island, ceiling and chimney hoods



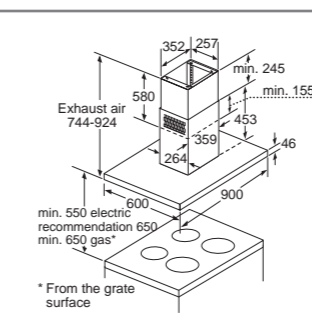
DDD97BM60B



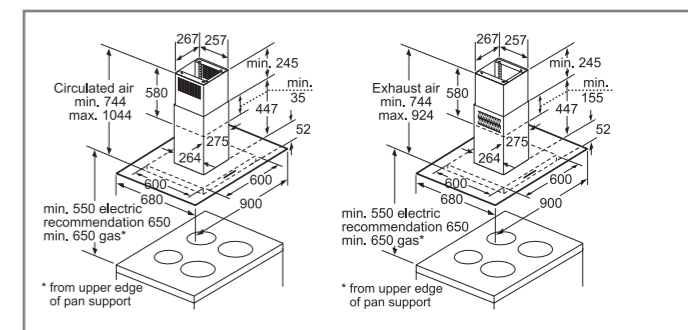
DRC97AQ50B, DRR16AQ20



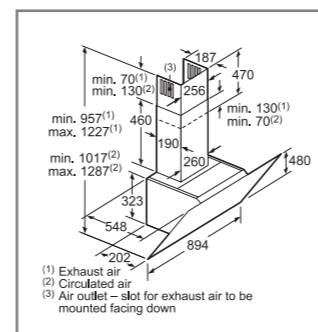
DIB98JQ50B



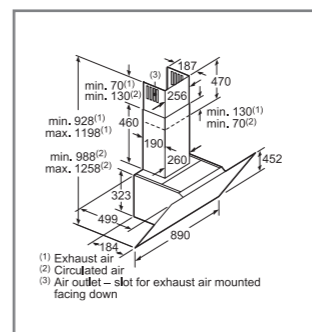
DIB98JQ50B



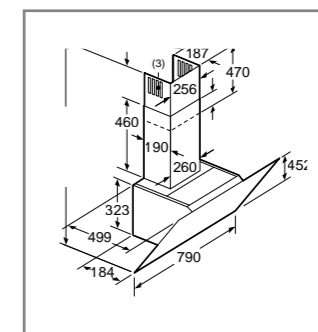
DIG97IM50B



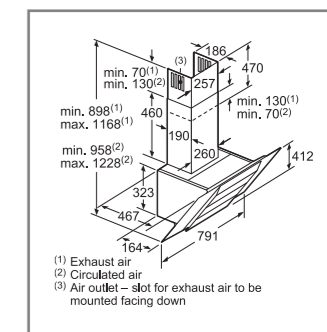
DWK98PR60B



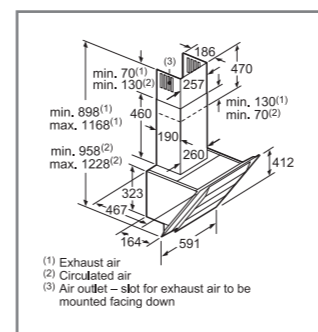
DWK97JQ60B



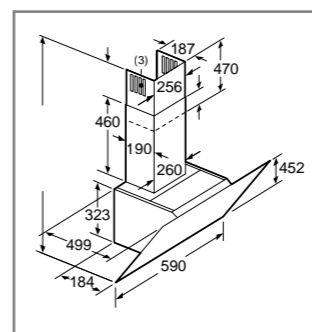
DWK87CM60B



DWK87BM60B



DWK67EM60B



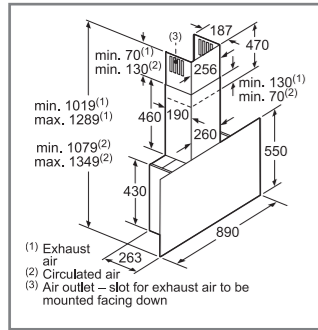
DWK87EM60B

All diagram measurements are in millimetres (mm)

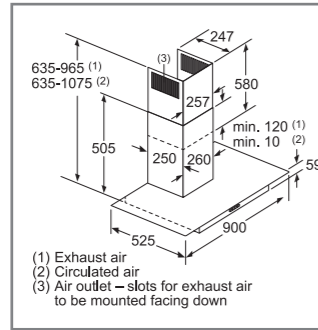
We try to keep up to date with constant technological improvements, so from time to time we may update installation guidelines. Therefore we strongly recommend that you download the latest installation guidelines from www.bosch-home.co.uk. Line drawings are for guidance only, and we recommend that you refer to the latest installation guidelines. Though every care is taken to ensure instructions are correct at the time of printing, Bosch cannot accept responsibility for incorrect planning or installation as a result of the use of these line drawings.

Hoods technical diagrams

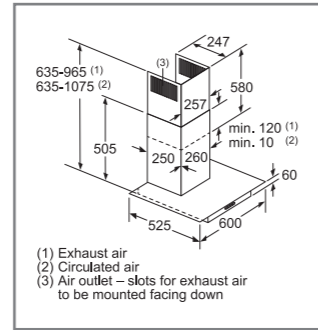
Downdraft, Island, ceiling and chimney hoods



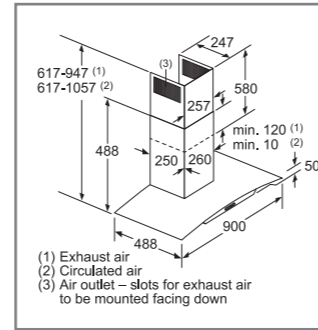
DWF97RV60B



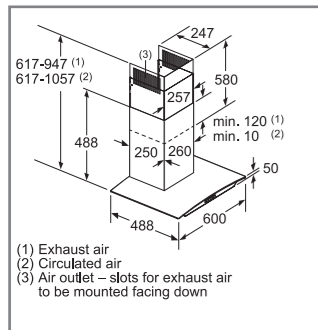
DWG94BC50B



DWG64BC50B

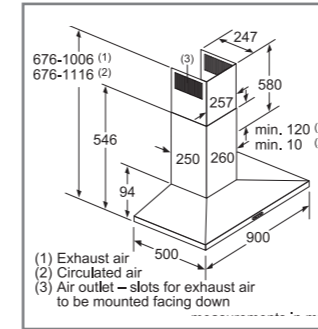


DWA96DM50B,
DWA94BC50B

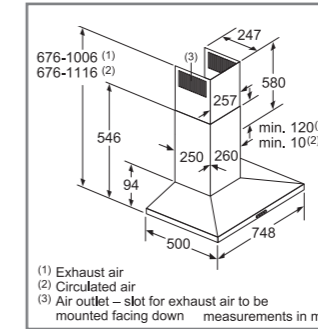


DWA66DM50B,
DWA64BC50B

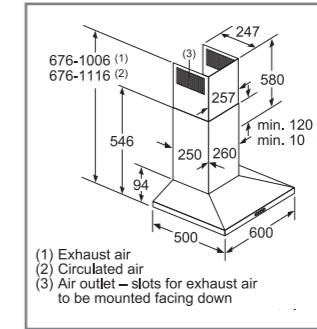
Chimney hoods



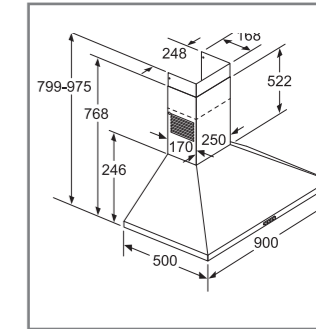
DWQ94BC50B



DWQ74BC50B

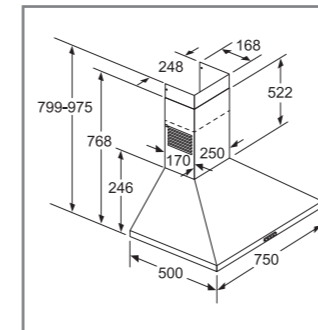


DWQ64BC50B

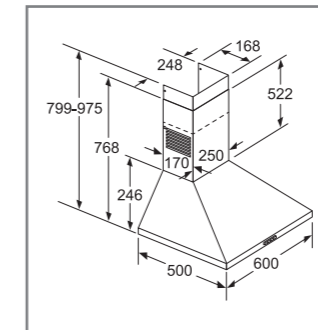


DWP94BC50B

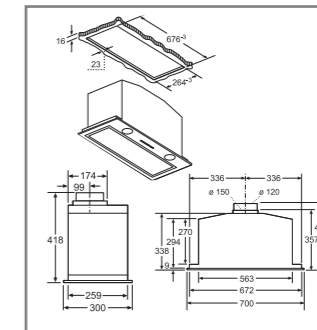
Telescopic, canopy and integrated hoods



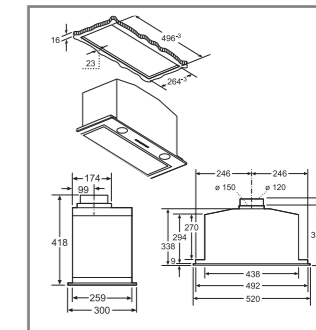
DWP74BC50B



DWP64BC50B

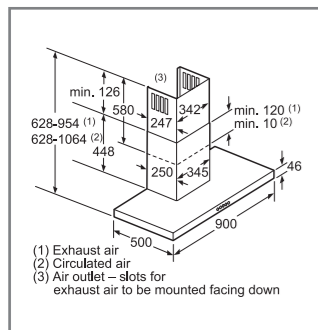


DHL785CGB

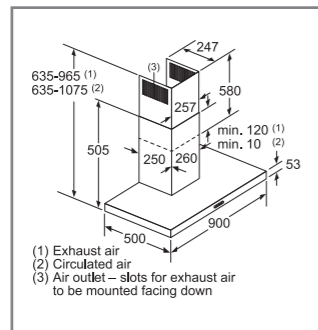


DHL575CGB

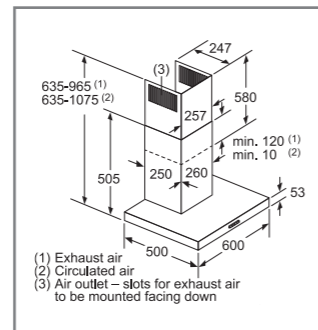
Chimney hoods



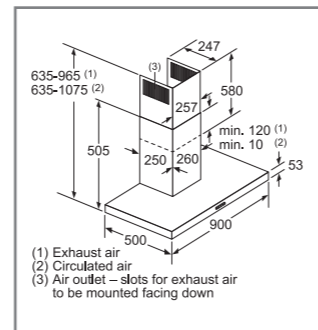
DWB98JQ50B, DWB68JQ0B



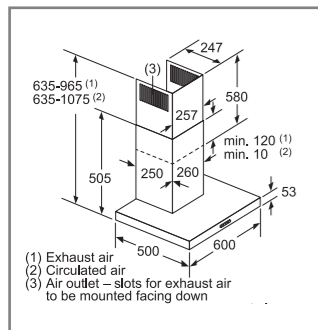
DWB96DM50B



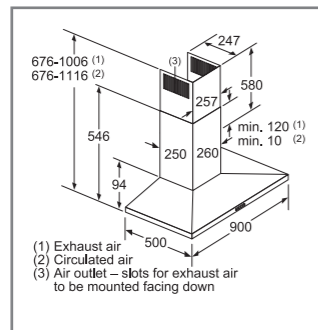
DWB66DM50B



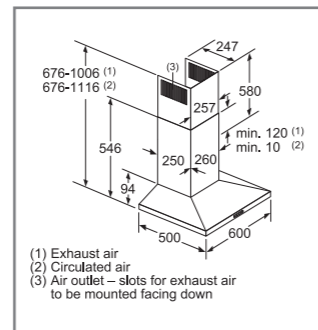
DWB94BC50B



DWB64BC50B

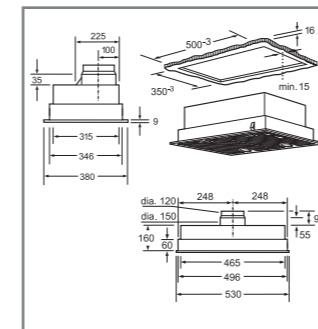


DWQ96DM50B

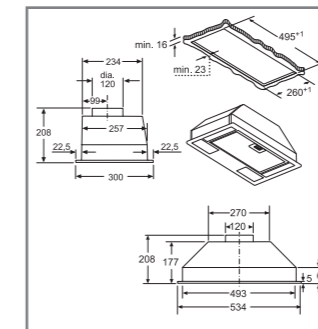


DWQ66DM50B

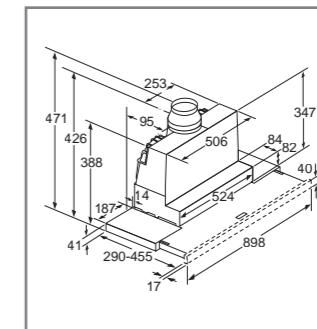
Telescopic, canopy and integrated hoods



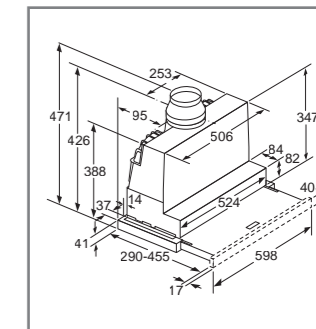
DHL555BLGB



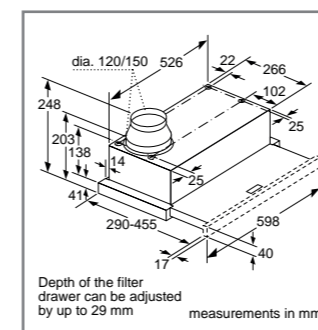
DLN53AA70B



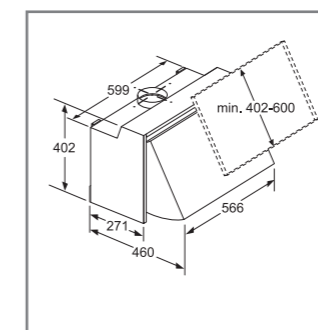
DFS097A50B



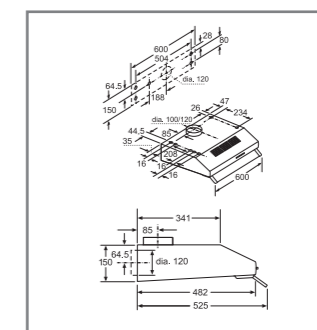
DFS067A50B



DFM063W55B



DEM66AC00B, DEM63AC00B

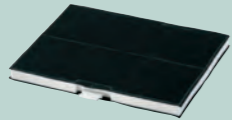
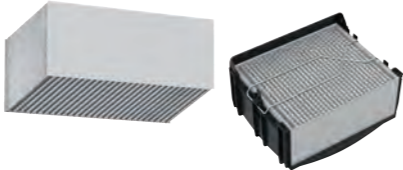
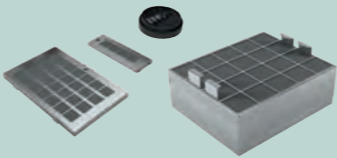


DUL63CC50B

All diagram measurements are in millimetres (mm)

We try to keep up to date with constant technological improvements, so from time to time we may update installation guidelines. Therefore we strongly recommend that you download the latest installation guidelines from www.bosch-home.co.uk. Line drawings are for guidance only, and we recommend that you refer to the latest installation guidelines. Though every care is taken to ensure instructions are correct at the time of printing, Bosch cannot accept responsibility for incorrect planning or installation as a result of the use of these line drawings.

Recirculation filters

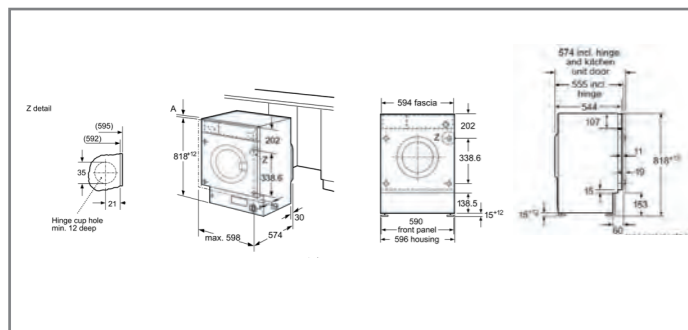
Type	Standard charcoal filter	CleanAir filter	New Regenerative CleanAir filter
			
Odour reduction guide	Up to 86%	Up to 95%	Up to 95% Up to 86% if installed without chimney
Recommended lifetime	6 - 12 months	12 months	10 years
Benefits	Simple installation Anti-fish treatment	High odour reduction Up to 3dB (A) sound reduction Better extraction performance Anti-fish treatment	High odour reduction Up to 3dB (A) sound reduction Regenerated in the oven every 4 months recommended (2 hours, 200°C) Better extraction performance
Installation	Behind grease filter, inside the hood	Extra module attached to hood chimney (stainless steel) New: Integrated plastic module fitted inside the chimney piece	Extra module (as per CleanAir filter) onto chimney or inside chimney Chimless installation possible
Installation without chimney possible?	Yes (Angled and Flat hoods only)	No – module must fit onto chimney or inside the chimney	Yes (Angled and Flat hoods only)

A range of recirculation filters are available depending on the model of hood and offer excellent odour reduction rates and performance benefits. The new regenerative filters can last up to 10 years and are regenerated through a heating process in the oven every 4 months

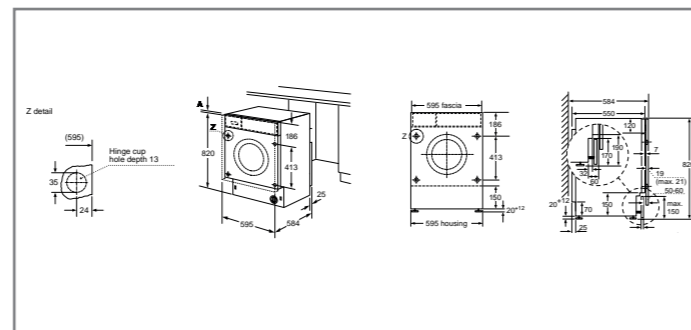
For full specification details, please log onto our website and download a full specification sheet.

Home laundry technical diagrams

Washing machines and washer dryers



WIW28501GB | WIW28301GB



WKD28541GB | WKD28351GB

Home laundry accessories

Description	Accessory Nr.	WIW28501GB	WIW28301GB	WKD28541GB	WKD28351GB
Floor securing component	WX975600	•	•	-	-
	WMZ2200	-	-	•	•
Extension for cold water inlet/Aquastop	WMZ2381	•	•	-	-
	WMZ2380	-	-	•	•
Height adjustable feet	WMZ20441	•	•	-	-



Installation tips

Dishwashers

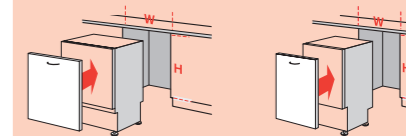
Integrated and semi-integrated dishwashers

Energy and water-efficient with outstanding performance, Bosch integrated dishwashers quietly do all the hard work for you behind closed doors.

Fully integrated dishwashers

These models can be built under a worktop or sink drainer, between two units or at the end of a run of units. A furniture door is mounted on the appliance door so that the dishwasher is indistinguishable from other kitchen cabinets. Choose from full size 60cm wide, or slimline 45cm wide.

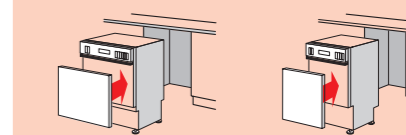
60cm wide



Semi-integrated dishwashers

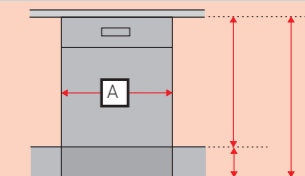
A furniture door is mounted on the appliance door, so all that is seen of the dishwasher itself is the stylish control panel. Can be built under a worktop or sink drainer, between two units or at the end of a run of units. Available full size 60cm wide.

60cm wide



Built-in dimensions (60m wide)

If you have a recess height of 81.5 – 87.5cm, plan for an 81cm dishwasher. The appliance feet may be screwed out to a total height of 87.5cm. Or, if you have a recess height of 86.5 – 92.5cm plan for an 86cm dishwasher. The appliance feet screw out to a total height of 92.5cm.



Quick checklist

Type

Fully integrated dishwasher

- 60cm wide
- 45cm wide

Semi-integrated dishwasher (60cm wide)

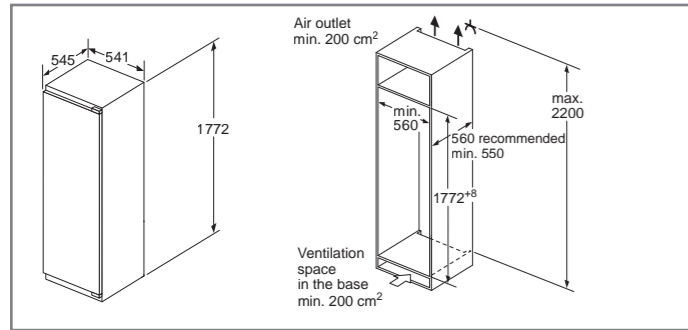
- 81cm high
- 86cm high

All diagram measurements are in millimetres (mm)

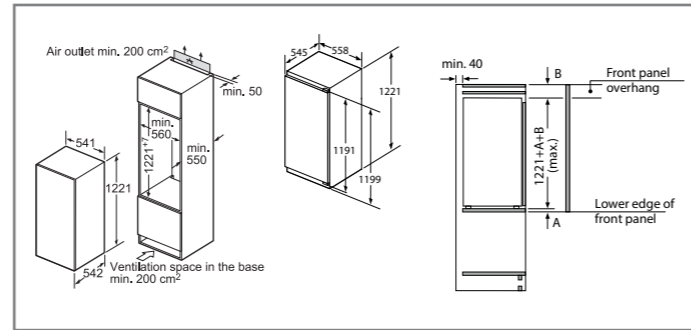
We try to keep up to date with constant technological improvements, so from time to time we may update installation guidelines. Therefore we strongly recommend that you download the latest installation guidelines from www.bosch-home.co.uk. Line drawings are for guidance only, and we recommend that you refer to the latest installation guidelines. Though every care is taken to ensure instructions are correct at the time of printing, Bosch cannot accept responsibility for incorrect planning or installation as a result of the use of these line drawings.

Integrated cooling technical diagrams

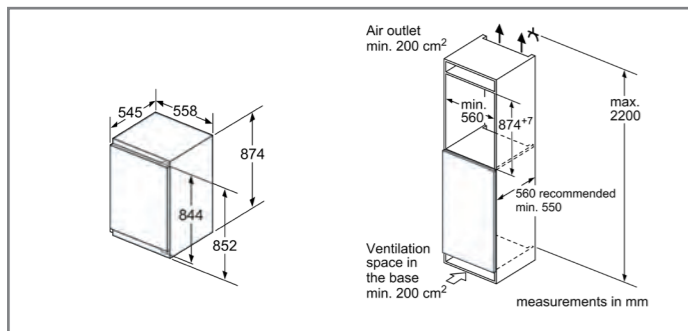
Fridge freezers, fridges and freezers



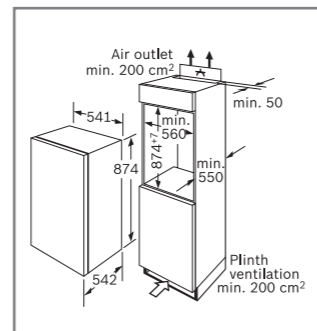
KIR81VSFOG, KIR81VS30G, KIL82VSFO, KIL82VS30G



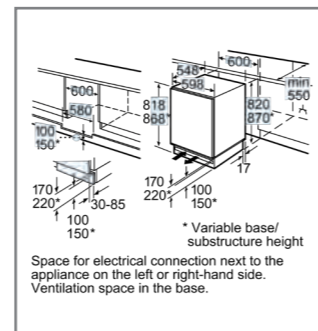
KIR41AFF0, KIR41AF30G, KIR24NSFOG, KIR24V20GB



KIR21AFF0G, GIV21AFE0



KIR18NSFOG, KIR18V20GB, GID18ASE0G, GID18A20GB



KUL15AFF0G, KUL15A60GB, KUR15AFF0G, GUD15AFF0G

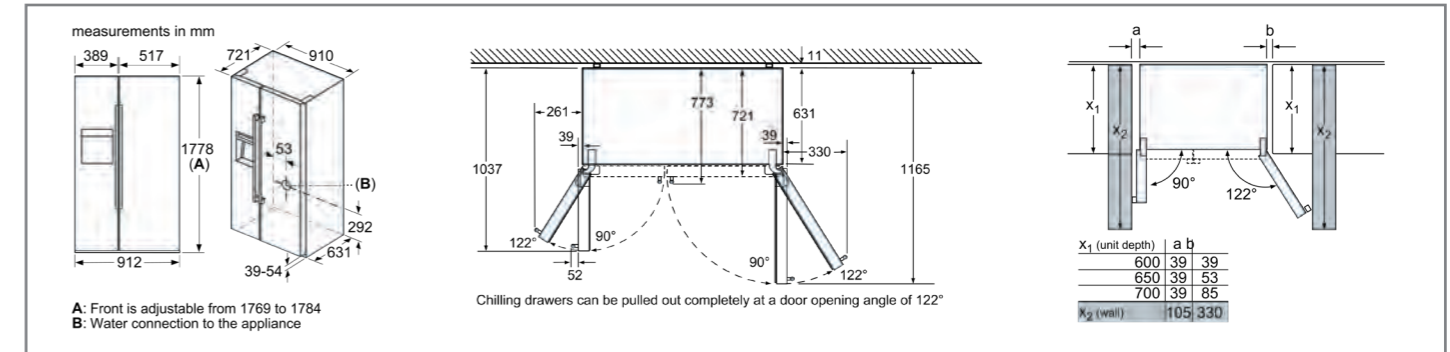
Matching fridges & freezers

Freezer Model	Height	Matching Fridges
GID18A20GB	87cm	KIR18V20GB, KIR18NSFOG
GIV21AFE0	87cm	KIR21AFF0G

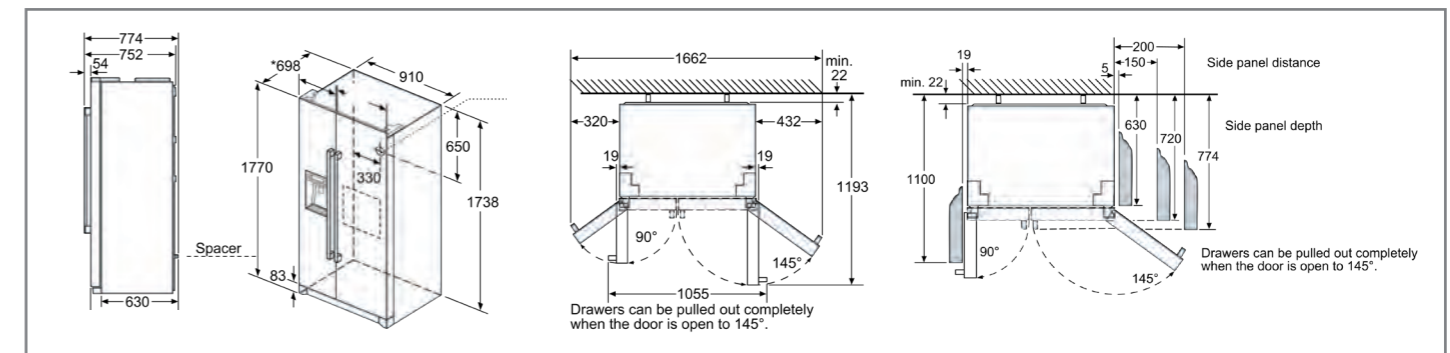
Freezer Model	Height	Matching Fridges
GIN81AEF0G	177.2cm	KIF82PFF0, KIF82PF30, KIF81PFE0, KIF81PF30, KIR81AFE0G, KIL82AFF0G, KIL82AF30G, KIR81VSFOG, KIR81VS30G, KIL82VS30G
GUD15AFF0G	82cm	KUL15AFF0G, KUL15A60GB, KUR15AFF0G

Cooling technical diagrams

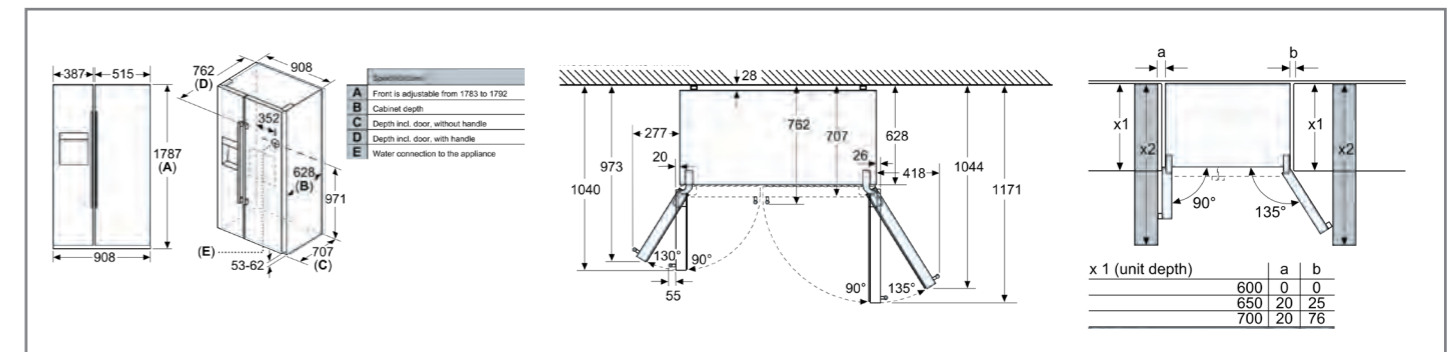
American-style fridge freezer



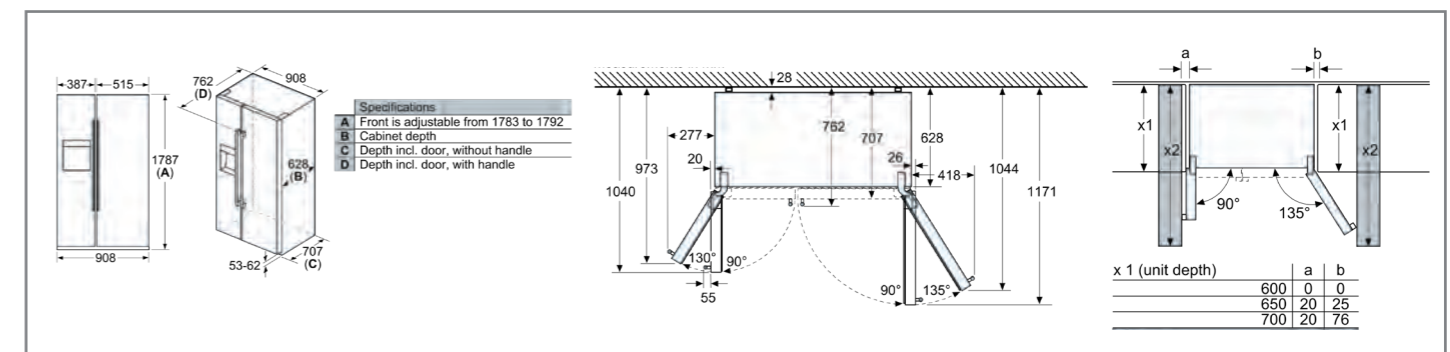
KAD92HBFP



KAG90AI20G



KAG93AIEPG, KAD93VIFPG, KAD93VBFP, KAI93VIFPG



KAN93VIFPG

All diagram measurements are in millimetres (mm)

We try to keep up to date with constant technological improvements, so from time to time we may update installation guidelines. Therefore we strongly recommend that you download the latest installation guidelines from www.bosch-home.co.uk. Line drawings are for guidance only, and we recommend that you refer to the latest installation guidelines. Though every care is taken to ensure instructions are correct at the time of printing, Bosch cannot accept responsibility for incorrect planning or installation as a result of the use of these line drawings.

Download a copy of our catalogues online at www.bosch-home.co.uk or call **0344 892 8979**

Contact Bosch Customer Service

To arrange an engineer visit, obtain product advice or order replacement spare parts or accessories visit www.bosch-home.co.uk or call **0344 892 8979**

Republic of Ireland customers should visit www.bosch-home.ie to arrange an engineer's visit, or to order spare parts and accessories, or call **(01) 450 2655**



BoschHomeUK



BoschHomeUK

Calls are charged at the basic rate, please check with your telephone service provider for exact charges.

Disclaimer: This brochure is current as from the publication date and supersedes all previous brochures for these products. This brochure should not be regarded as an infallible guide nor as an offer for sale of any particular product. Whilst BSH Home Appliances Ltd believes that all information contained within this brochure is correct at the time of going to print, no representation or warranty, express or implied, is or will be made and no responsibility or liability is or will be accepted by BSH Home Appliances Ltd in relation to the accuracy or completeness of this information and any liability is expressly disclaimed. To the extent permitted by law, BSH Home Appliances Ltd expressly excludes: i) all conditions, warranties and other terms which might otherwise be implied by statute, common law or the law of equity and ii) any liability for any direct, indirect or consequential loss or damage (including, without limitation, damages for loss of business or loss of profits) arising in contract, tort or otherwise from the use of or reliance on any information contained within this brochure or from any action or decision taken as a result of such use or reliance. BSH Home Appliances Ltd reserves the right to modify technical data and all other information contained within this brochure without notice. All rights reserved. No part of this publication may be reproduced in any form or without the prior written permission of BSH Home Appliances Ltd. All colour variations are due to the limitations of the printing process. We recommend a visit to a Bosch dealer to confirm that specifications and colours are to your satisfaction.

June 2020.

BSH Home Appliances Limited
Grand Union House
Old Wolverton Road, Wolverton
Milton Keynes MK12 5PT
www.bosch-home.co.uk

BSH Home Appliances Limited
M50 Business Park
Ballymount, Dublin 12
Tel: 1890 626 041
www.bosch-home.ie